

[54] PICTURE FRAMING CUTTER

[76] Inventor: Richard E. Williams, 30 Walter Martin Ave., Ft. Walton Beach, Fla. 32548

[**] Term: 14 Years

[21] Appl. No.: 397,979

[22] Filed: Jul. 14, 1982

[52] U.S. Cl. D8/98

[58] Field of Search D7/138, 142; D8/98, D8/99, 100; 30/142, 143, 146, 151, 153-156; 83/438, 581, 597, 614

[56] References Cited

U.S. PATENT DOCUMENTS

289,162 11/1883 Strachan et al. 83/614 X
2,065,761 12/1936 Smith 83/581

2,622,637 12/1952 Gustin 83/438
3,768,357 10/1973 McBride 83/438
4,050,194 9/1977 Rice 83/581 X
4,158,977 6/1979 Logan 83/581 X

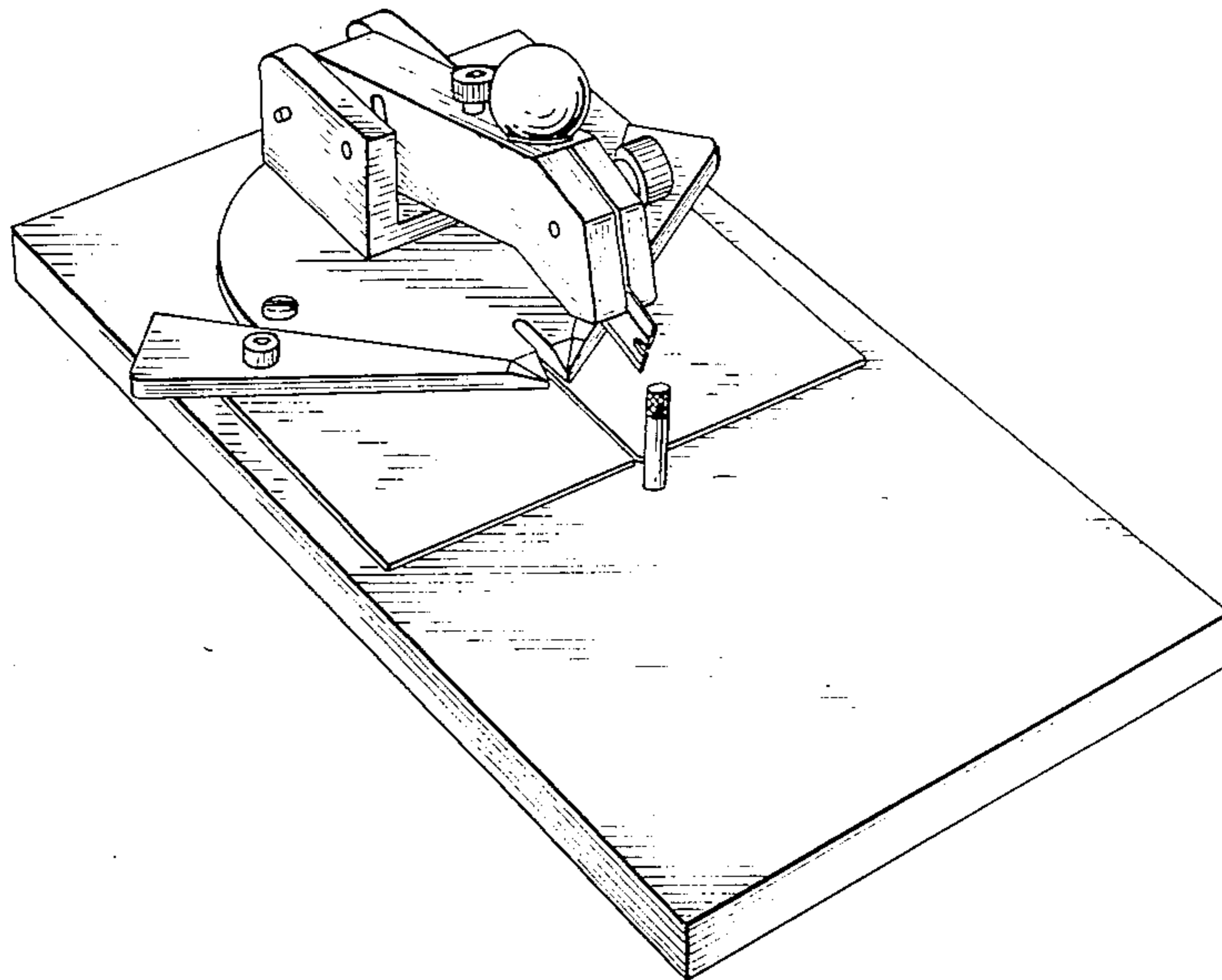
Primary Examiner—B. J. Bullock
Assistant Examiner—Clare E. Heflin
Attorney, Agent, or Firm—Kemon & Estabrook

[57] CLAIM

The ornamental design for a picture framing cutter, as shown and described.

DESCRIPTION

FIG. 1 is a perspective view of a picture framing cutter showing my new design;
FIG. 2 is a side elevational view thereof; the opposite side being substantially the same except for the omission of the knobs;
FIG. 3 is a rear elevational view thereof.



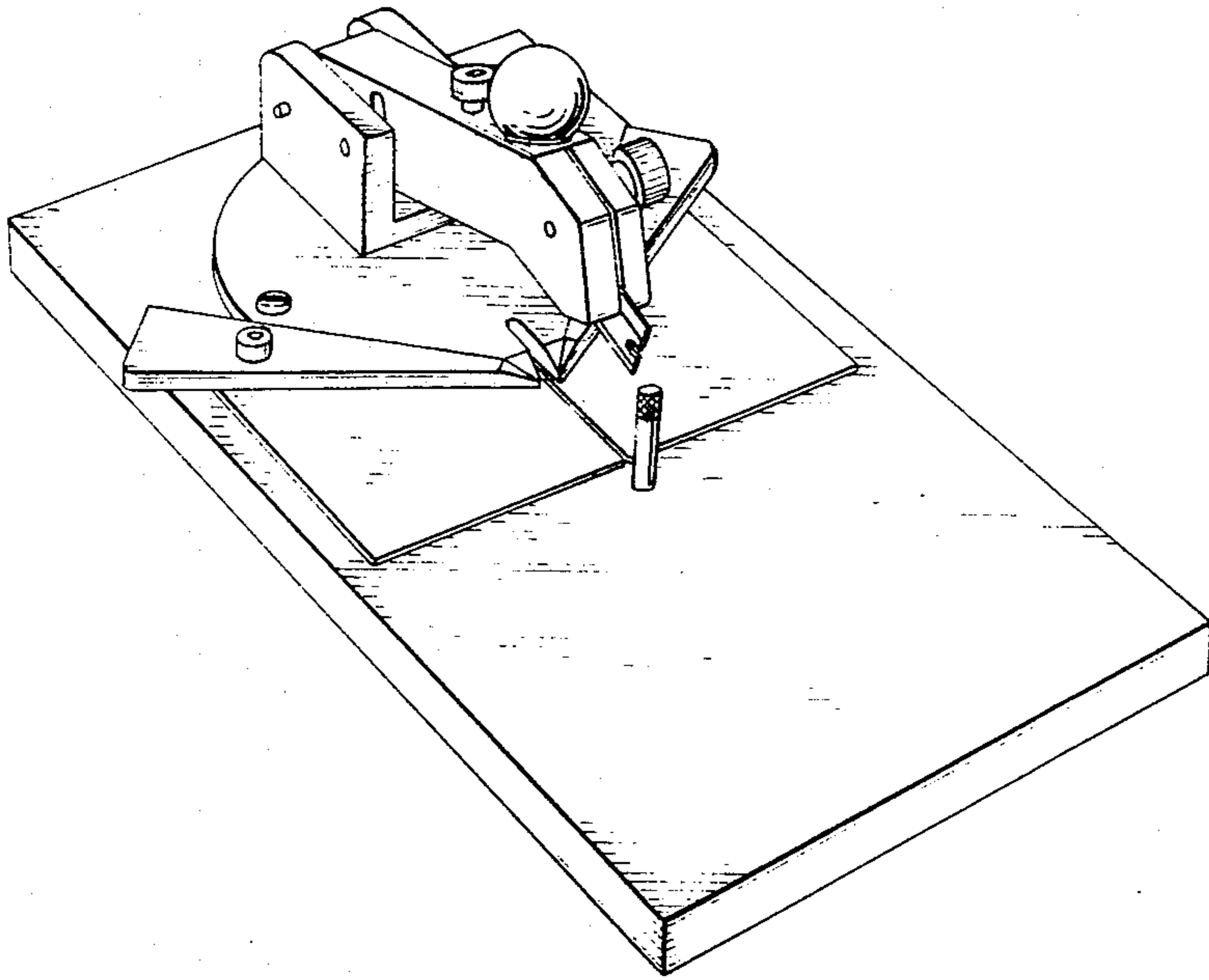


FIG. 1

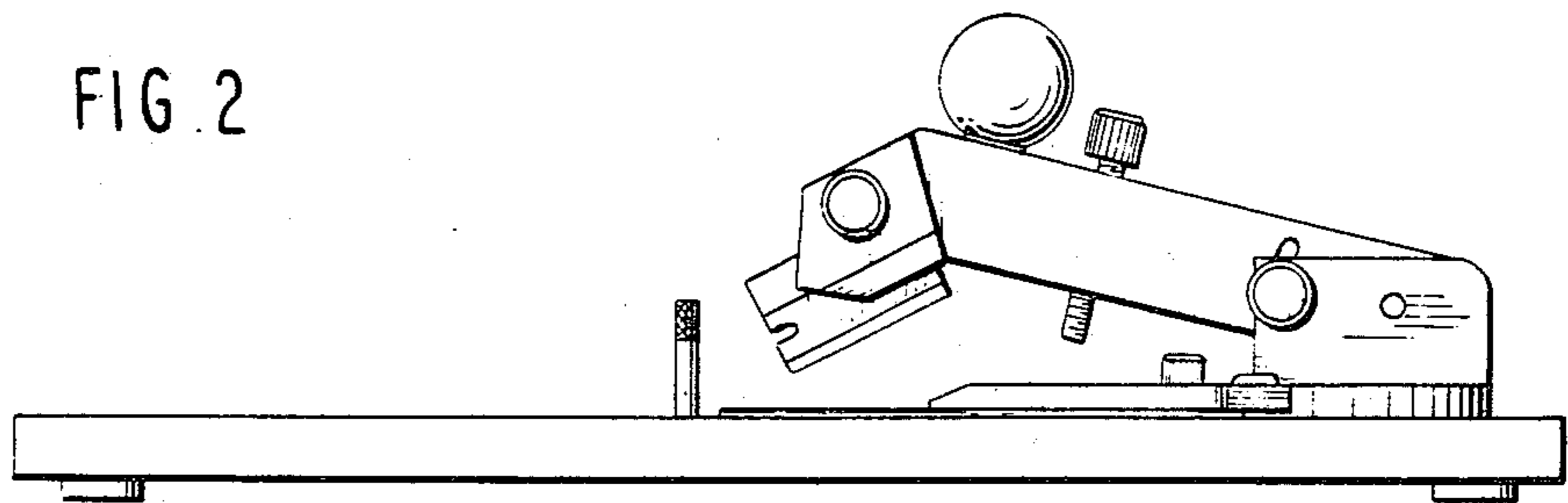


FIG. 2

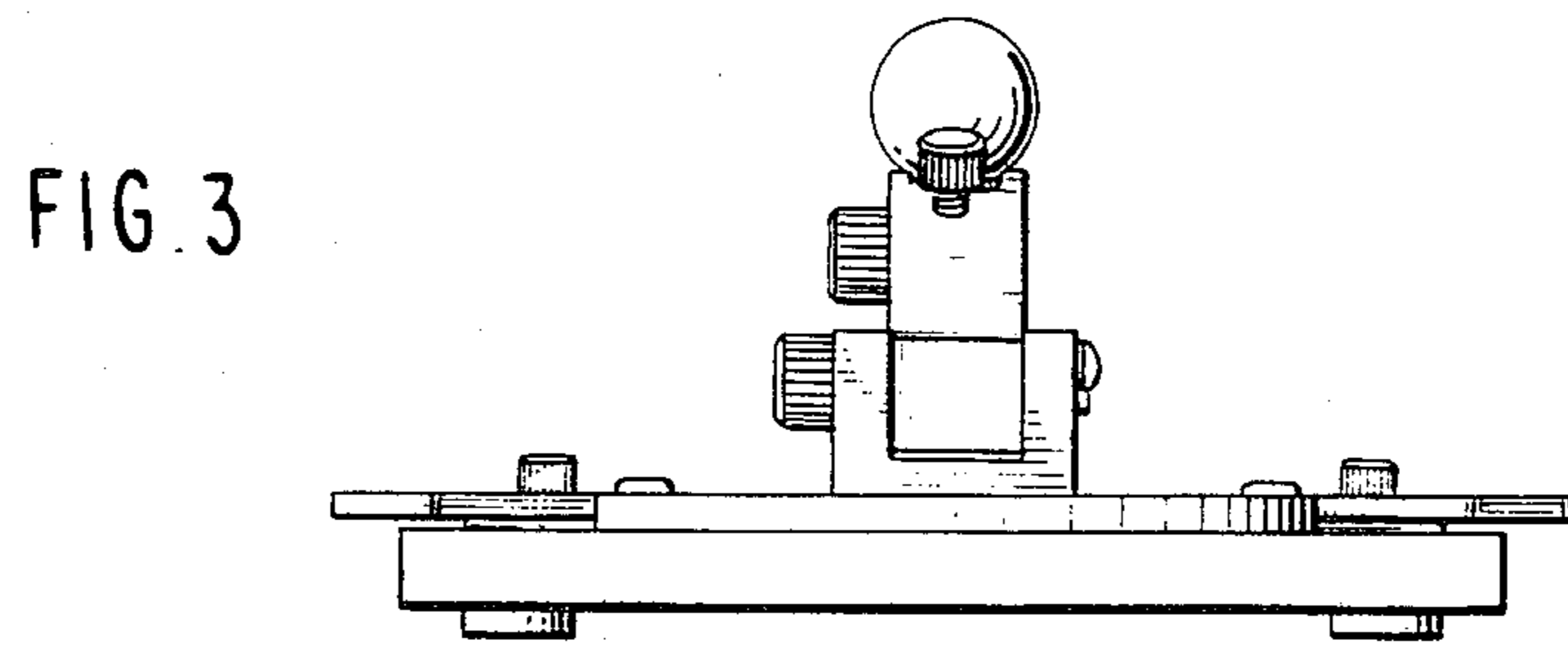


FIG. 3