

United States Patent [19]

Beller

[11] Patent Number: **Des. 278,789**

[45] Date of Patent: **** May 14, 1985**

- [54] **PORTABLE COOKING GRILL**
- [75] Inventor: **Frank W. Beller, Aurora, Ill.**
- [73] Assignee: **Belson Manufacturing Co., Inc., Aurora, Ill.**
- [**] Term: **14 Years**
- [21] Appl. No.: **490,703**
- [22] Filed: **May 2, 1983**
- [52] U.S. Cl. **D7/334**
- [58] Field of Search **D7/332-339;**
126/9 R, 9 A, 9 B, 25 R, 25 A, 25 AA, 25 B, 25
C, 29, 30

[56] **References Cited**

U.S. PATENT DOCUMENTS

- D. 162,206 2/1951 Merkle D7/339
- D. 189,603 1/1961 Paschal D7/338

- D. 254,118 2/1980 Shaneour D7/332
- D. 256,316 8/1980 Nichols, Jr. D7/332
- D. 268,160 3/1983 Beller D7/332

Primary Examiner—Wallace R. Burke
Assistant Examiner—Lynn Wilder
Attorney, Agent, or Firm—Howard H. Darbo

[57] **CLAIM**

The ornamental design for a portable cooking grill, as shown and described.

DESCRIPTION

FIG. 1 is a perspective view showing the top, front and left end of the portable cooking grill showing my new design;

FIG. 2 is a right end elevational view thereof, the left end being a mirror image;

FIG. 3 is a top plan view thereof;

FIG. 4 is a bottom plan view thereof;

FIG. 5 is a rear elevational view thereof.

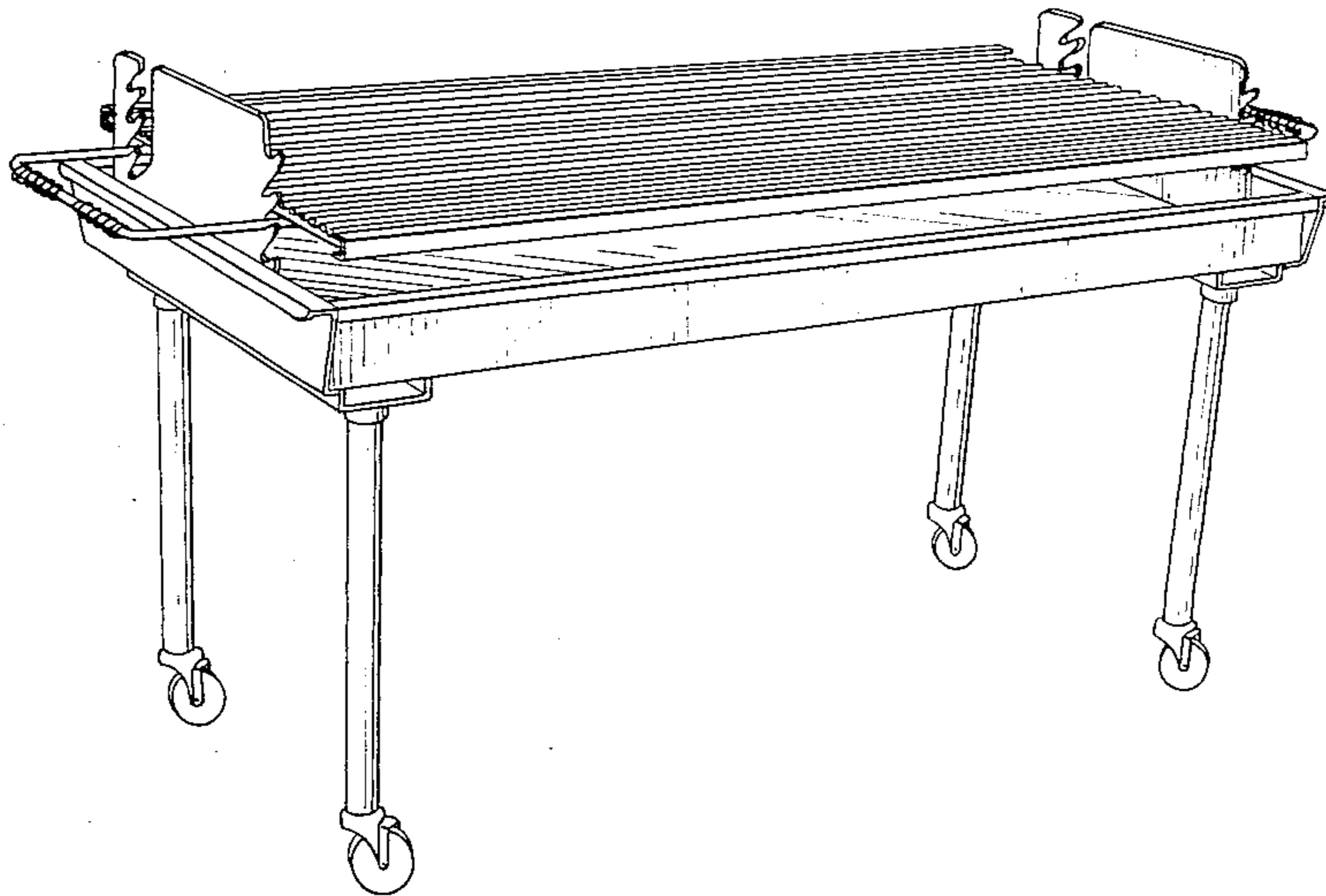


Fig. 1.

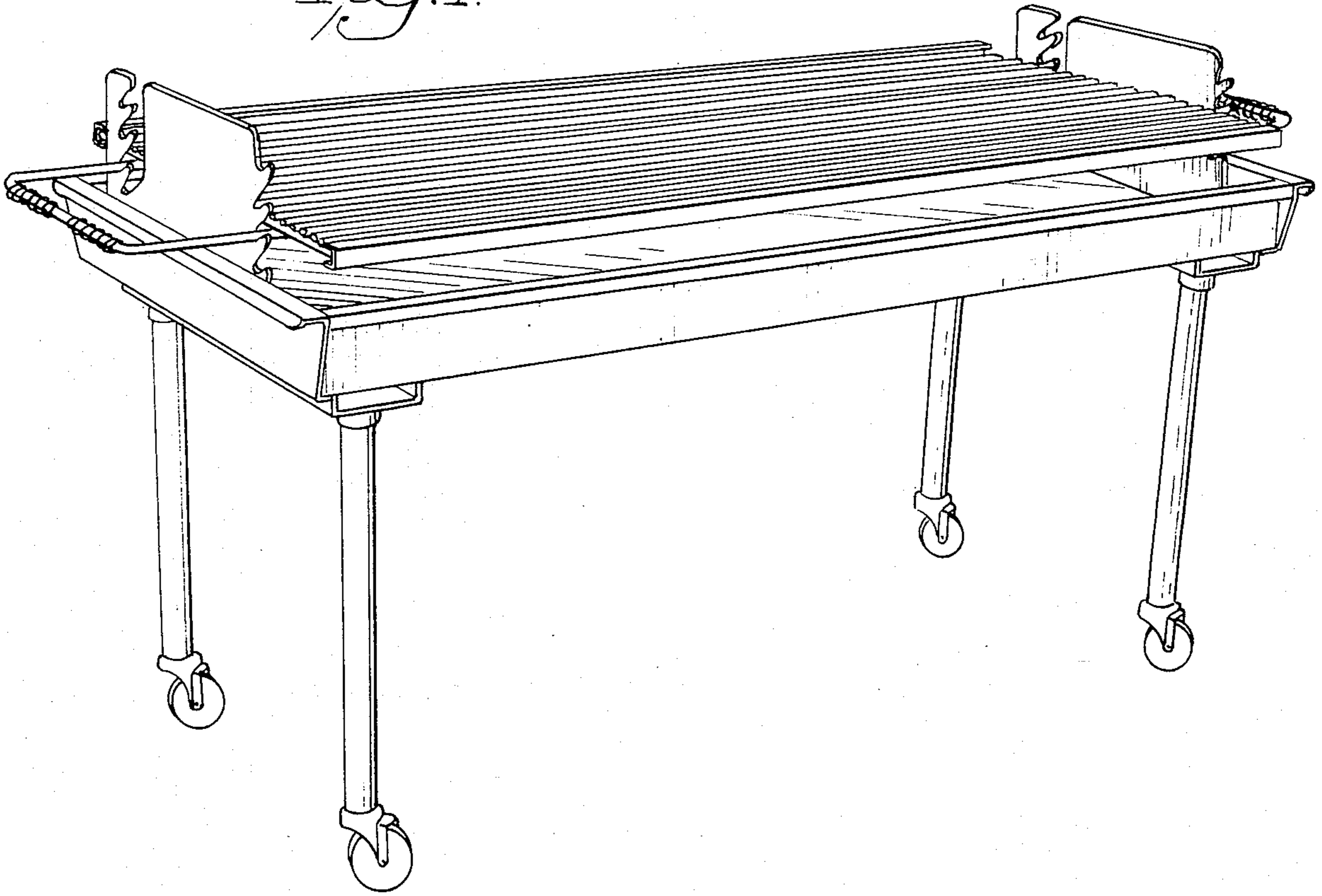
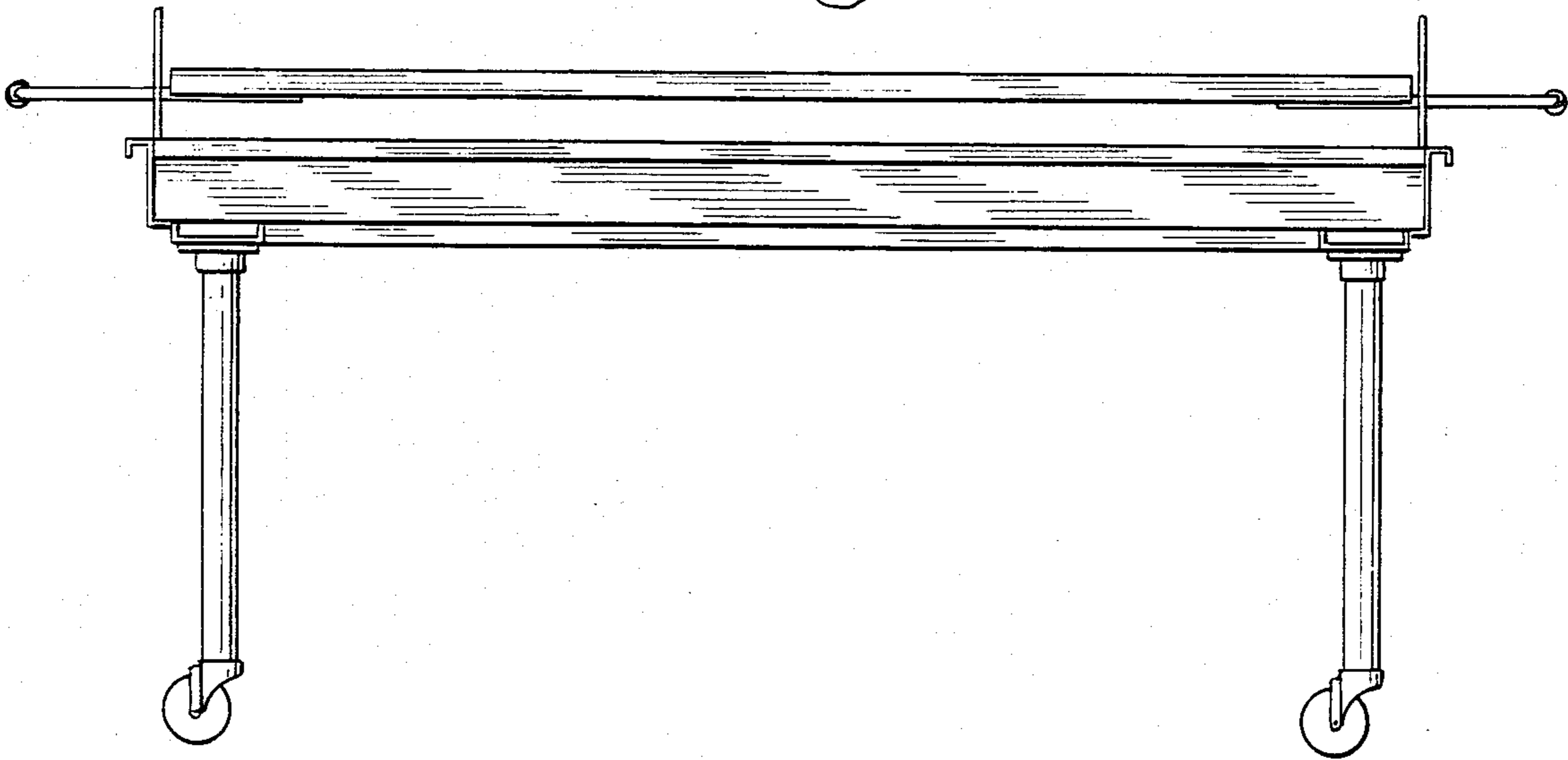


Fig. 5.



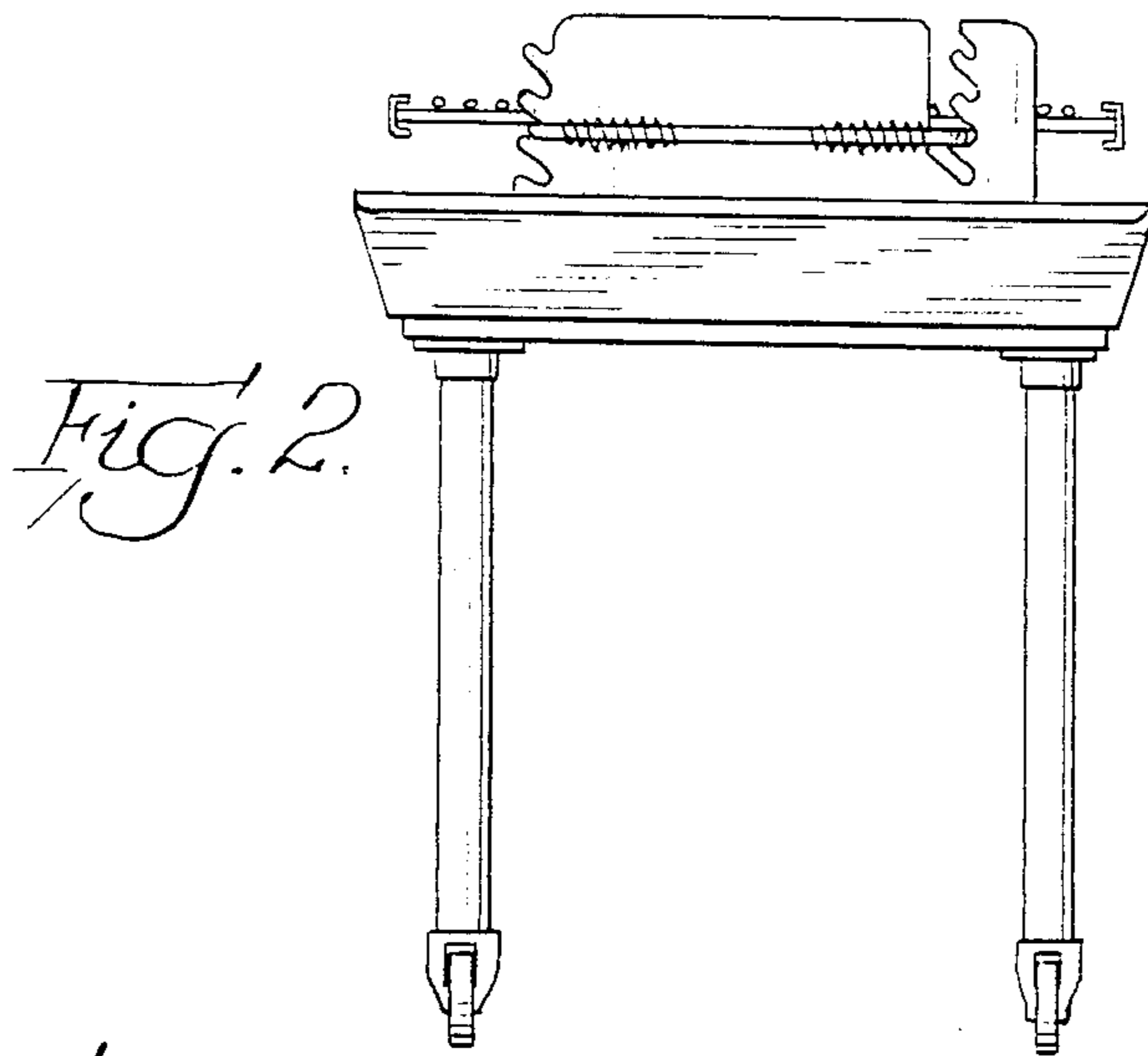


Fig. 2.

Fig. 3.

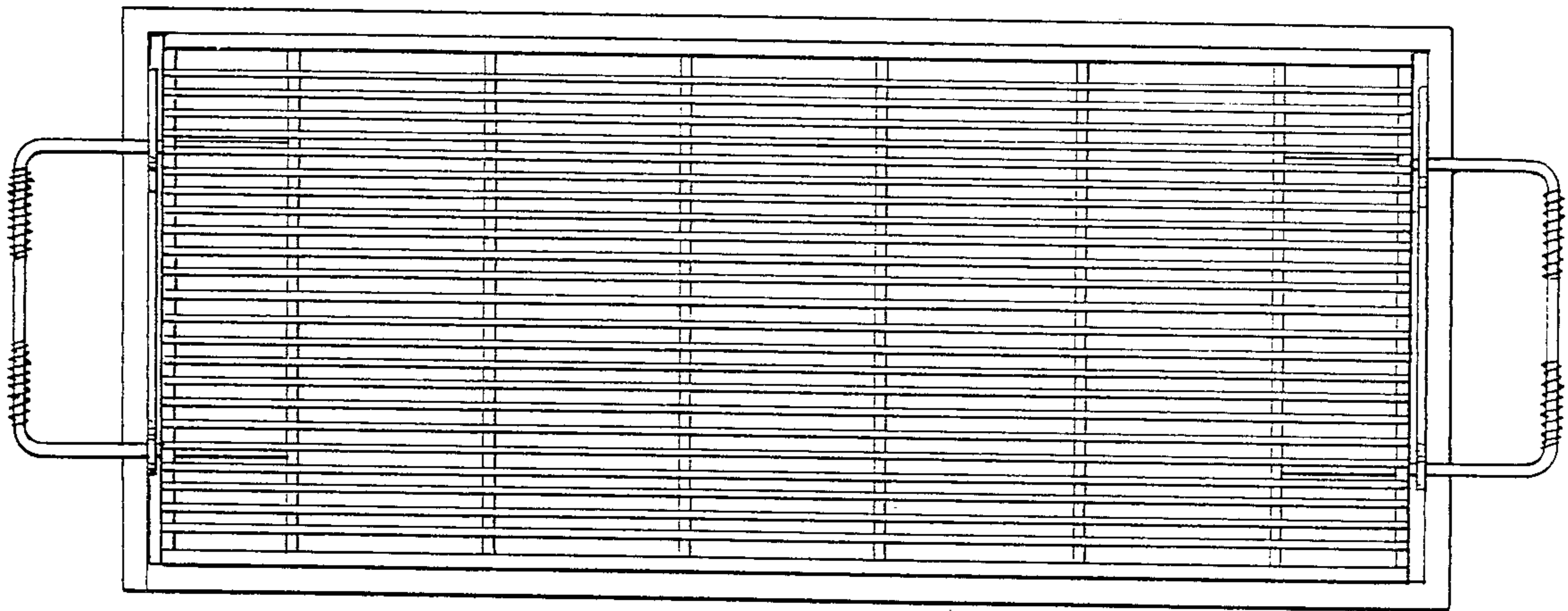


Fig. 4.

