

[54] INVALID SEAT CUSHION

[76] Inventor: John B. Sink, 3729 Rolling Rd., High Point, N.C. 27260

[\*\*] Term: 14 Years

[21] Appl. No.: 382,784

[22] Filed: May 27, 1982

[52] U.S. Cl. .... D6/596

[58] Field of Search ..... D6/201, 596; 5/462, 5/463, 465; D24/34, 64, 99

[56] References Cited

U.S. PATENT DOCUMENTS

2,494,813	1/1950	Hughes	4/235
3,118,152	1/1964	Talley	5/462 X
3,146,469	9/1964	Slade	5/465
3,261,031	7/1966	Gates	5/86
3,383,713	5/1968	Adams	4/134
3,451,071	6/1969	Whiteley	5/462
3,890,658	6/1975	Petersilie	5/465 X
4,067,409	1/1978	DiMatteo et al.	297/353
4,229,039	10/1980	Day	297/232
4,234,228	11/1980	Flamm	297/466
4,287,619	9/1981	Brewer et al.	297/417
4,296,506	10/1981	Stoute, Sr. et al.	4/478

FOREIGN PATENT DOCUMENTS

8369 5/1892 United Kingdom ..... 5/463

OTHER PUBLICATIONS

Sears Home Health Care Catalog, 1982.

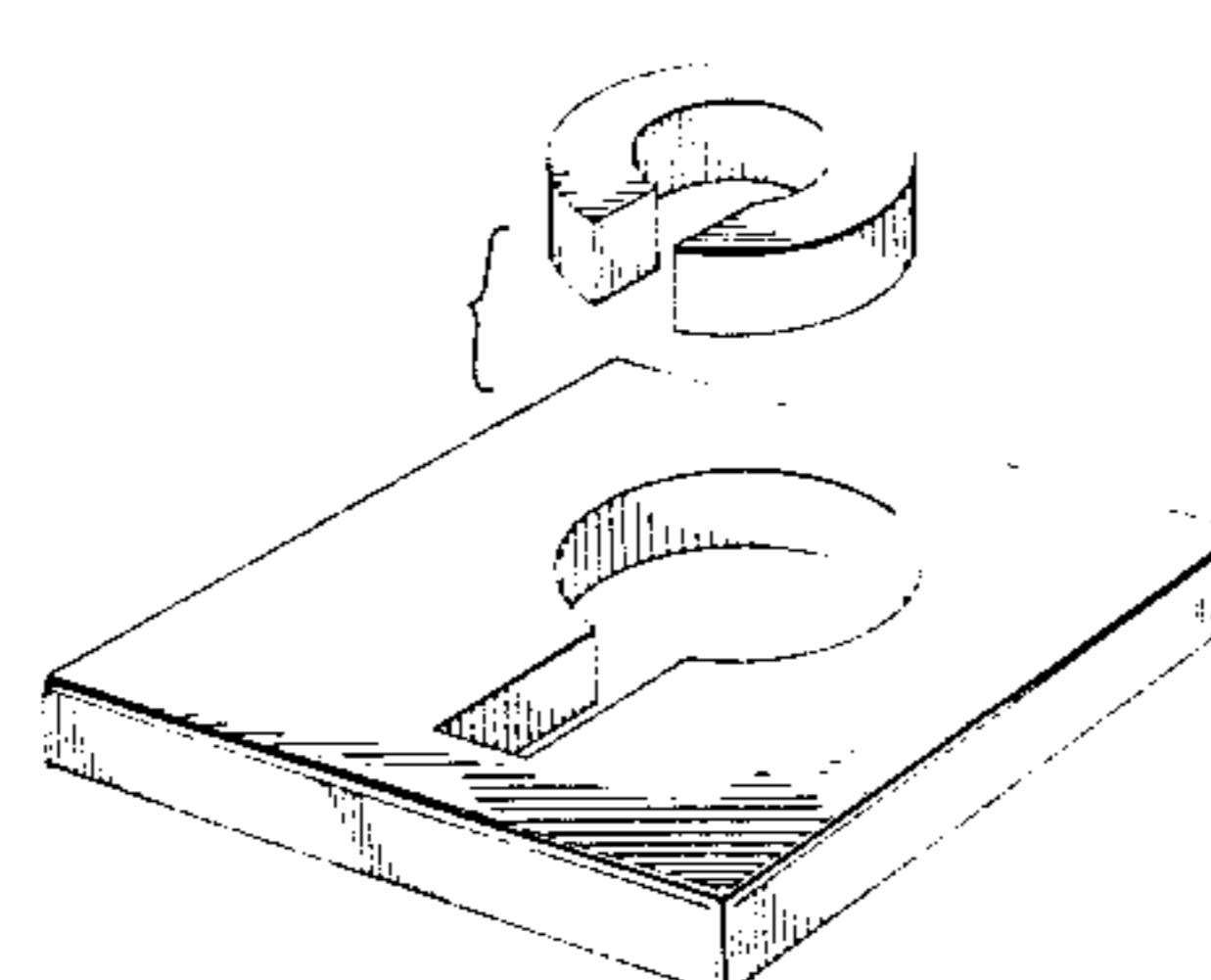
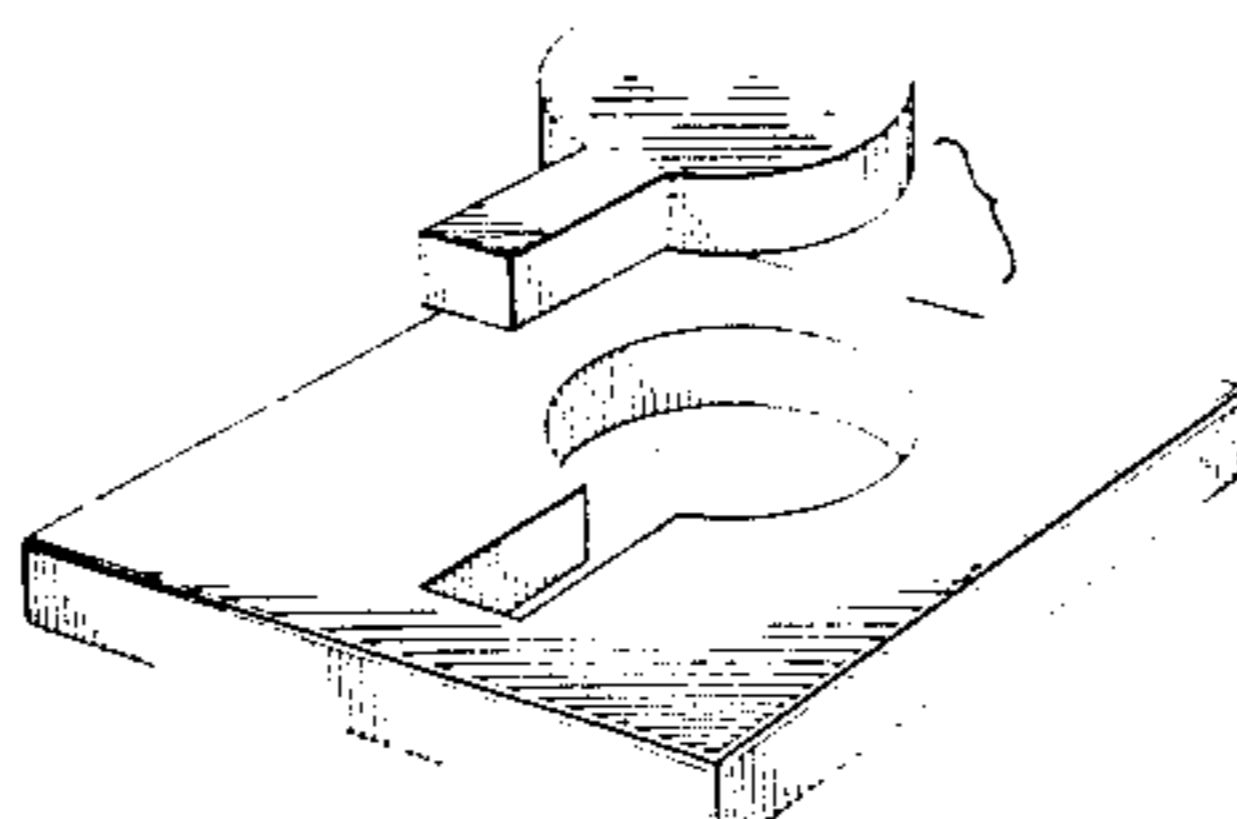
Primary Examiner—Jane E. Corrigan

[57] CLAIM

The ornamental design for the invalid seat cushion, as shown and described.

DESCRIPTION

FIG. 1 is a front, top and right side perspective view of an invalid seat cushion showing my new design; FIG. 2 is a top plan view, the bottom being substantially identical; FIG. 3 is a view like FIG. 1 with the insert removed; FIG. 4 is a front elevational view with the insert in place; FIG. 5 is a view like FIG. 3 of a modified form of an invalid seat cushion showing my new design wherein the insert is C-shaped; and FIG. 6 is a top plan view thereof with the insert in place, the bottom being substantially identical.



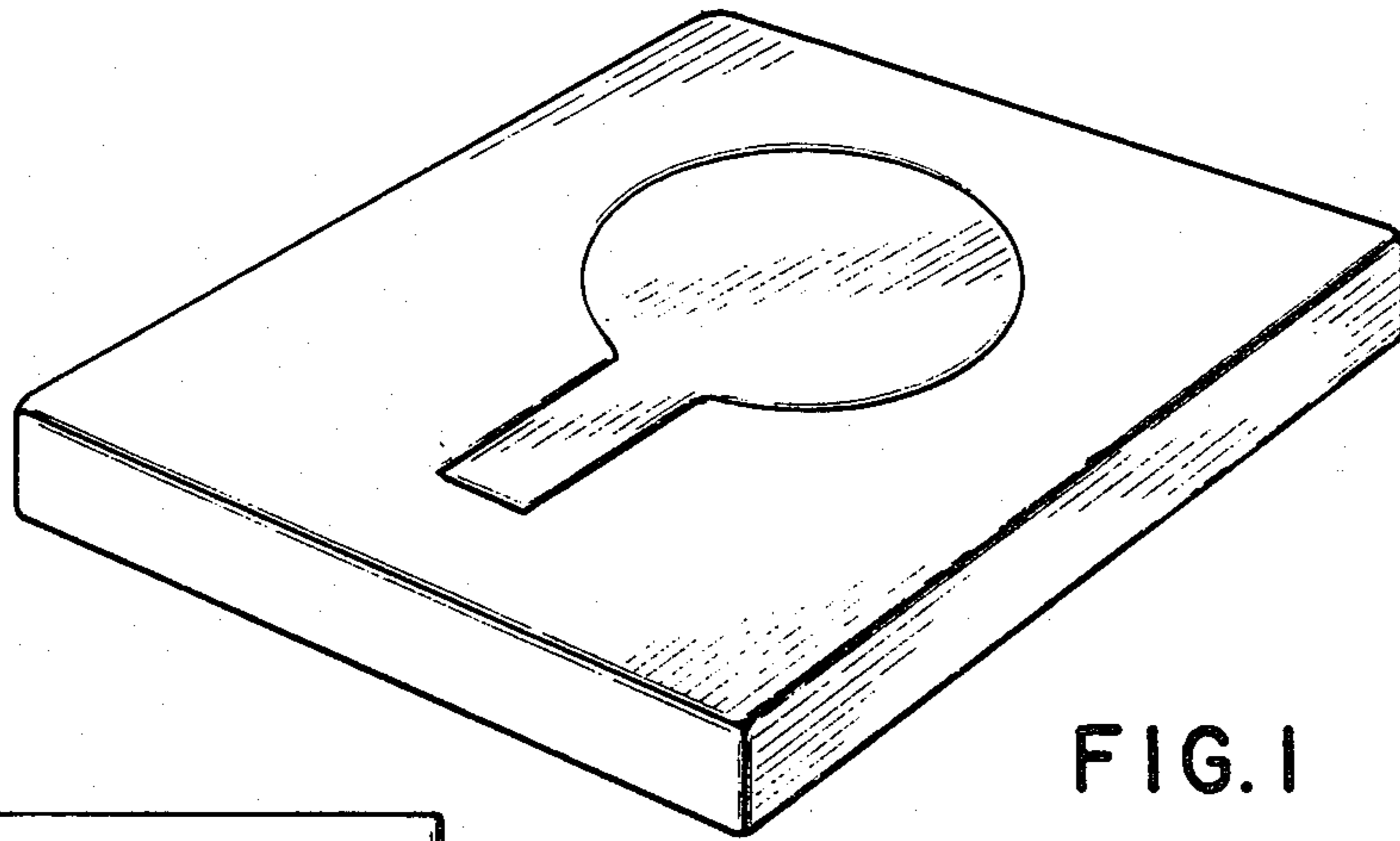


FIG. 1

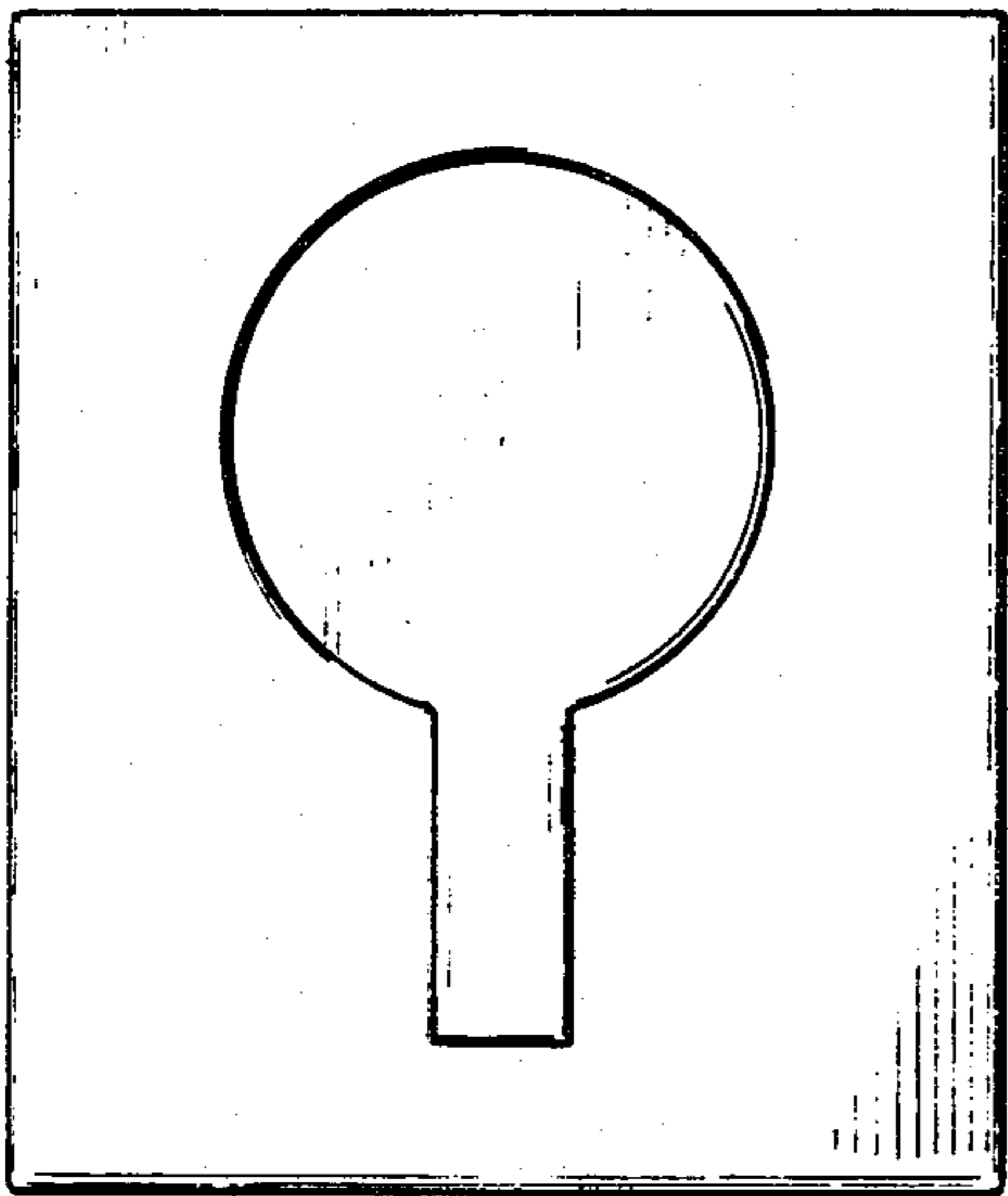


FIG. 2

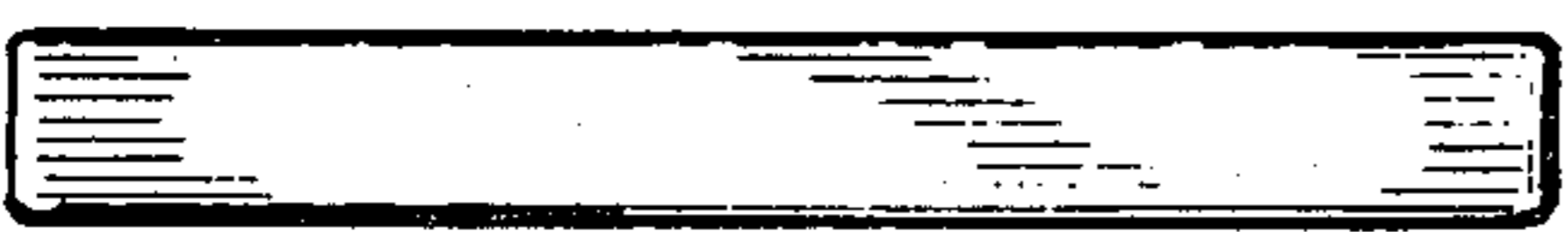


FIG. 4

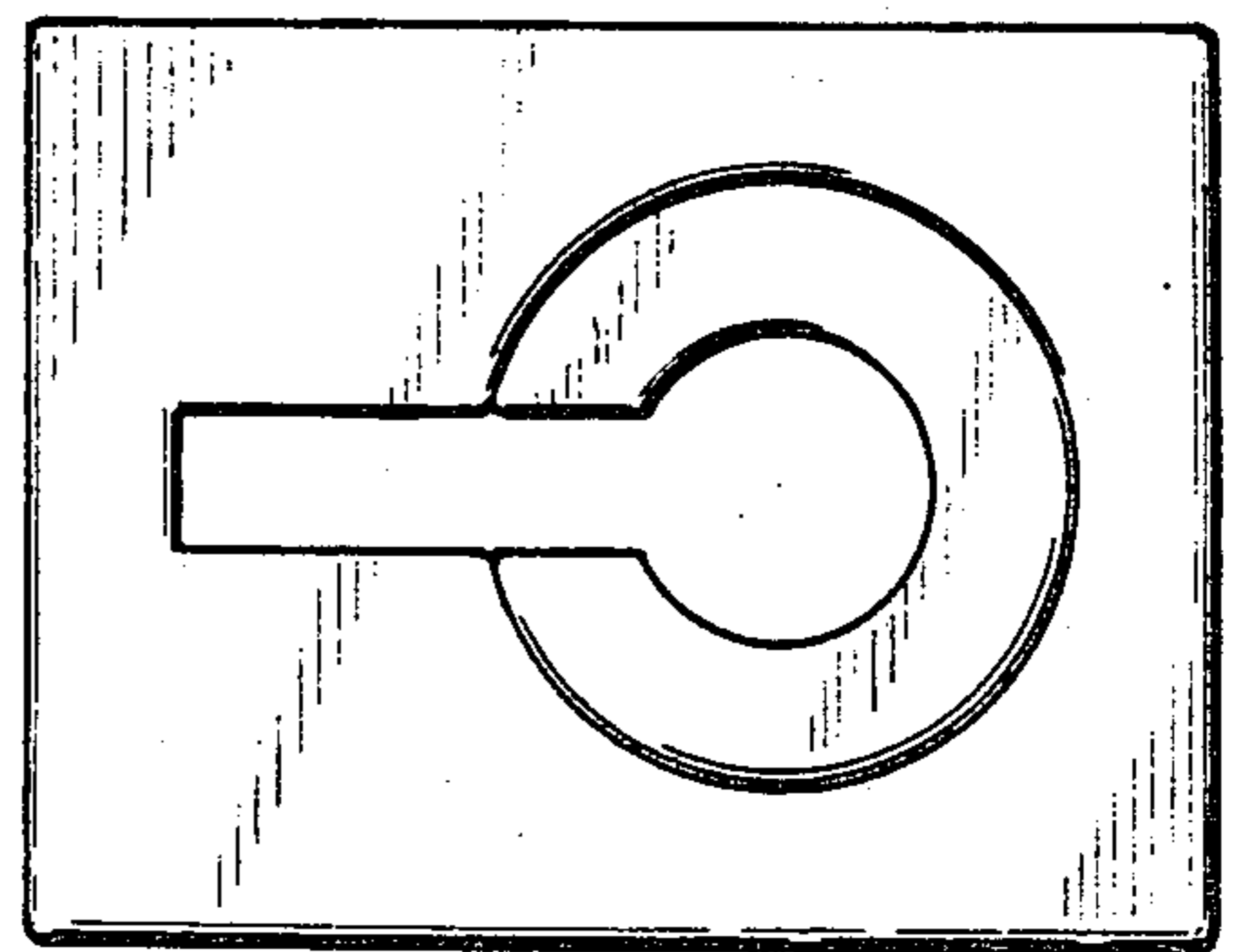


FIG. 6

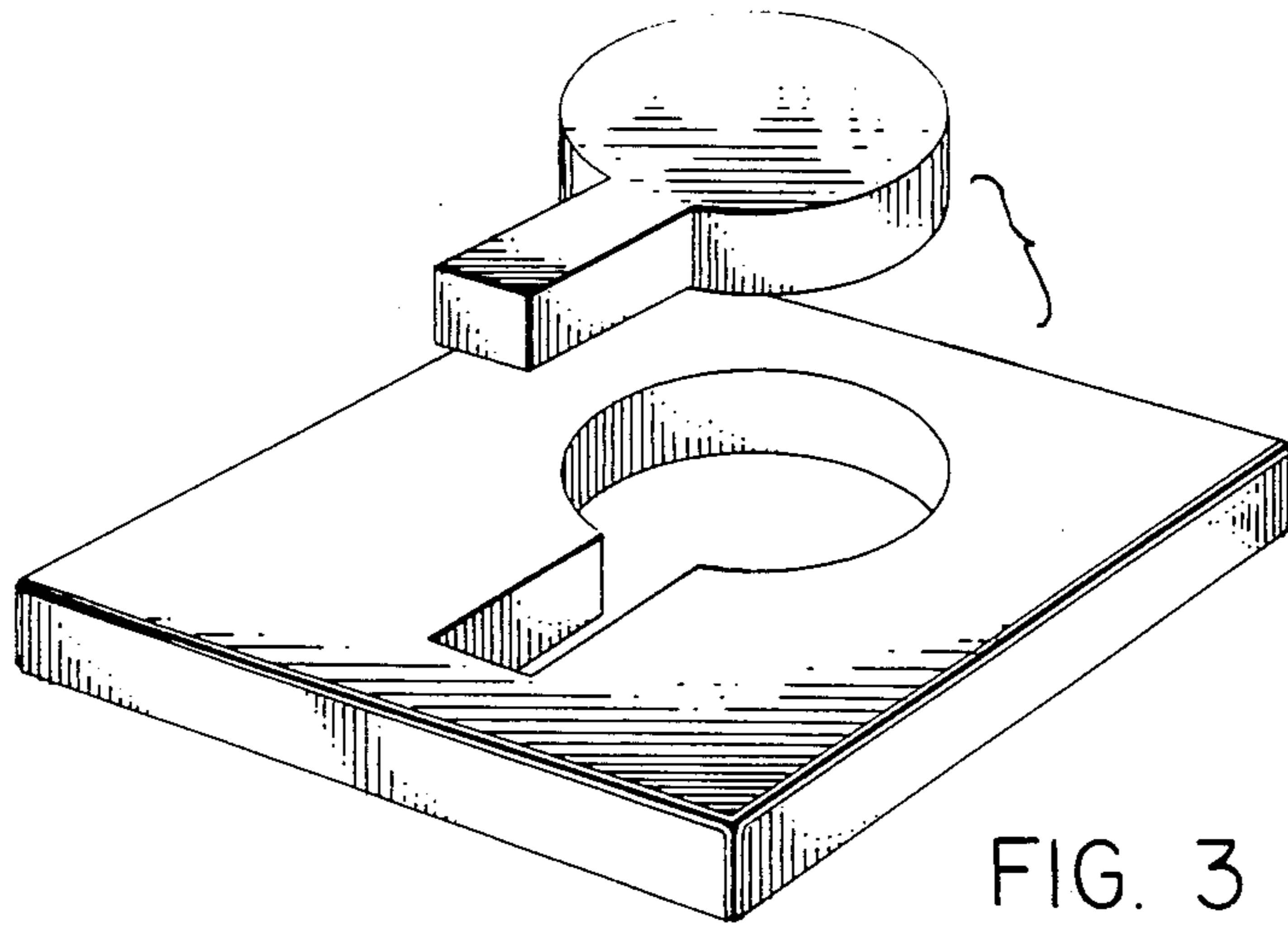


FIG. 3

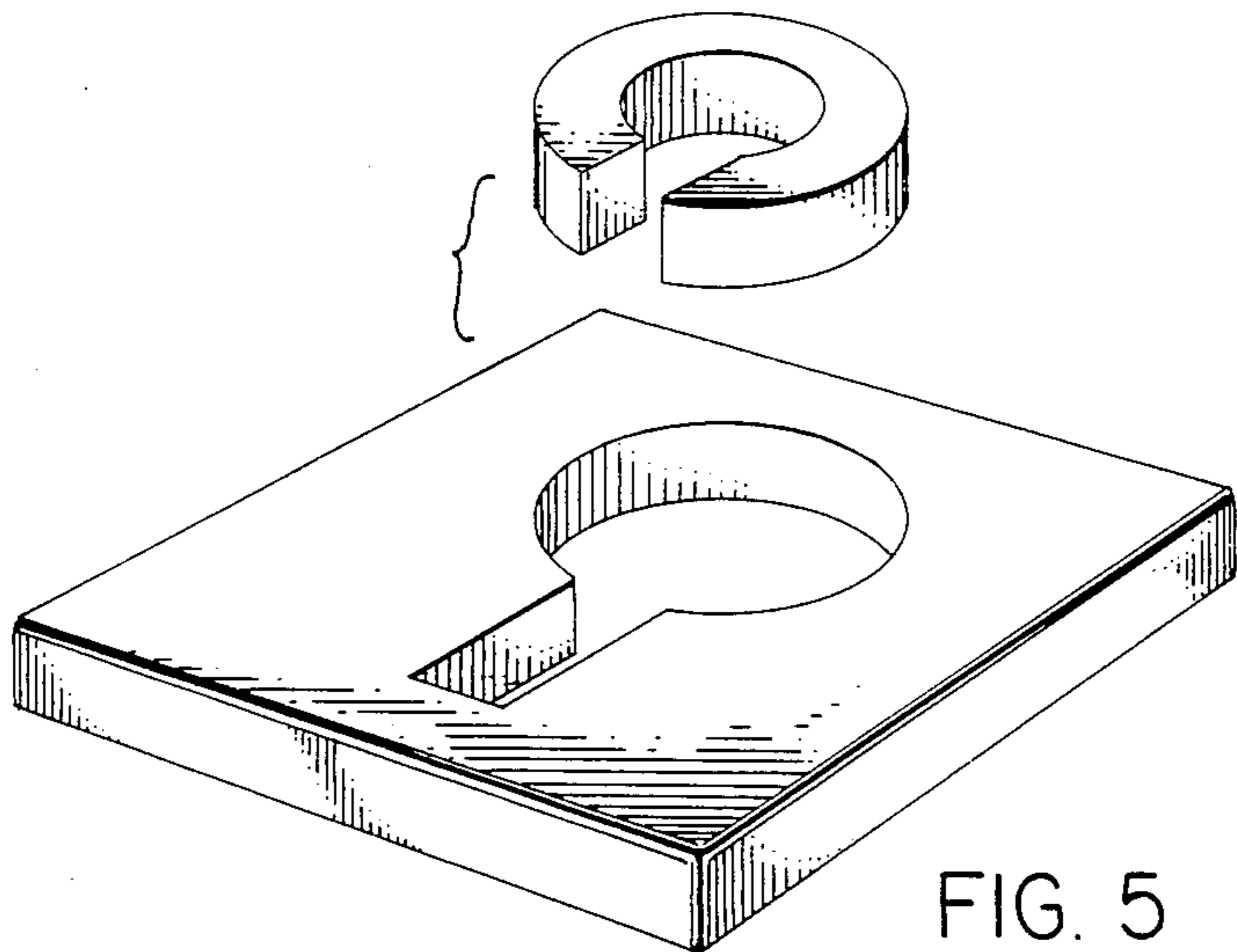


FIG. 5