

[54] COMBINED BRACKET AND DISPOSABLE TOOTHBRUSH HOLDER

[76] Inventor: Edward J. Martin, 3388 Reedy Dr., Annandale, Va. 22003

[**] Term: 14 Years

[21] Appl. No.: 440,245

[22] Filed: Nov. 8, 1982

2,028,694	1/1936	Spinks	D6/91
2,970,720	2/1961	Dooley, Jr.	D6/94
4,049,126	9/1977	Halverson	D6/125

Primary Examiner—B. J. Bullock
Assistant Examiner—Suzanne N. Gitlin
Attorney, Agent, or Firm—Fred Philpitt

[57] CLAIM

The ornamental design for a combined bracket and disposable toothbrush holder, as shown and described.

Related U.S. Application Data

[63] Continuation-in-part of Ser. No. 409,267, Aug. 18, 1982, abandoned.

[52] U.S. Cl. D6/534

[58] Field of Search D6/86, 94, 114, 91, D6/125; D8/373; 211/60 R, 60 A, 60 T, 82, 65; 248/110, 300, 309 R

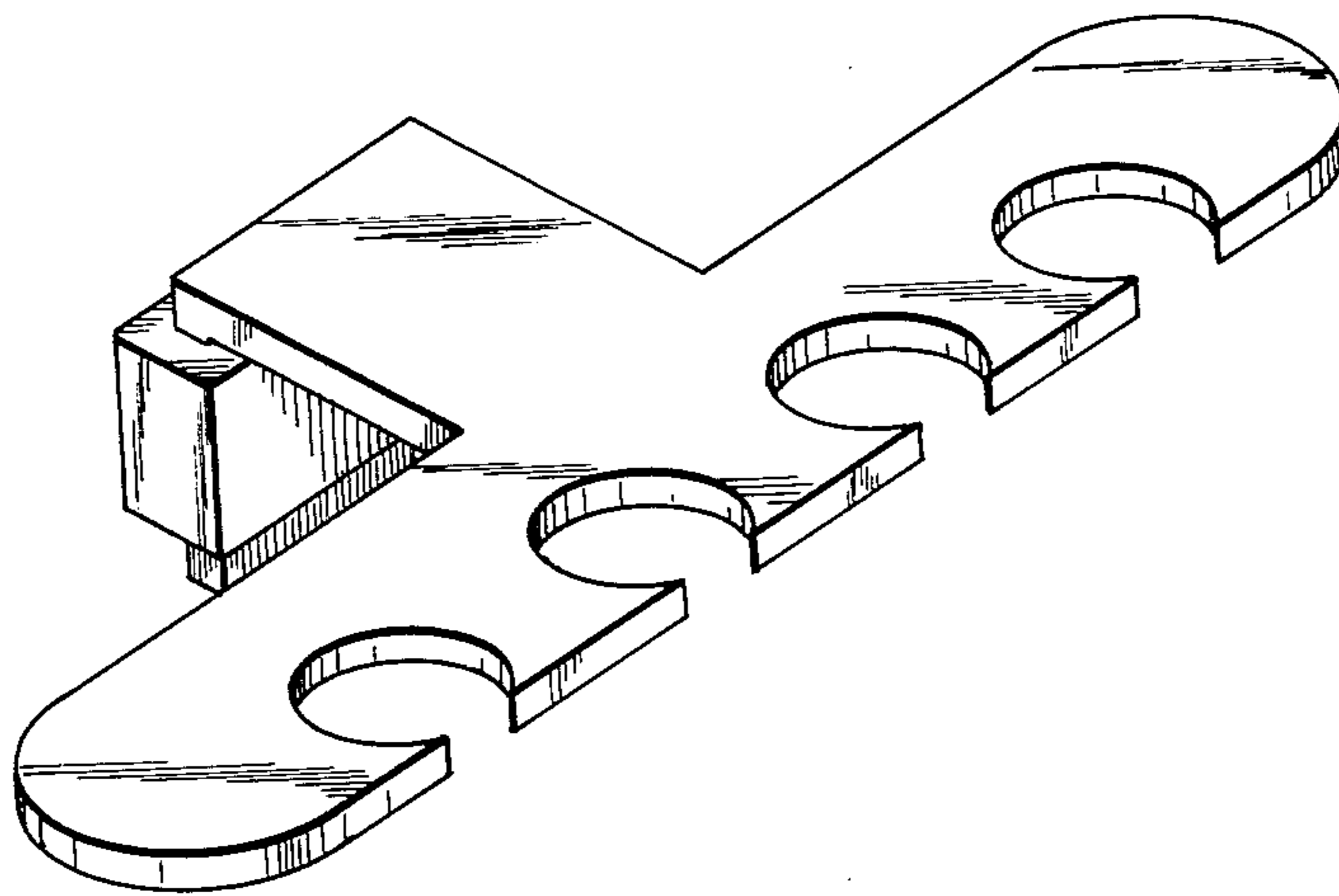
[56] References Cited

U.S. PATENT DOCUMENTS

D. 065,357	7/1924	Strnod	D6/91
D. 120,343	5/1940	Hopkins	D6/125

DESCRIPTION

FIG. 1 is a perspective view of a combined bracket and disposable toothbrush holder showing my new design; FIG. 2 is a front elevational view thereof; FIG. 3 is a side elevational view thereof; FIG. 4 is a bottom plan view thereof; FIG. 5 is a top plan view thereof; FIG. 6 is an exploded perspective view thereof; FIG. 7 is a perspective view of a second embodiment; FIG. 8 is a top and one side perspective view of a third embodiment; FIG. 9 is a bottom and one side perspective view thereof.



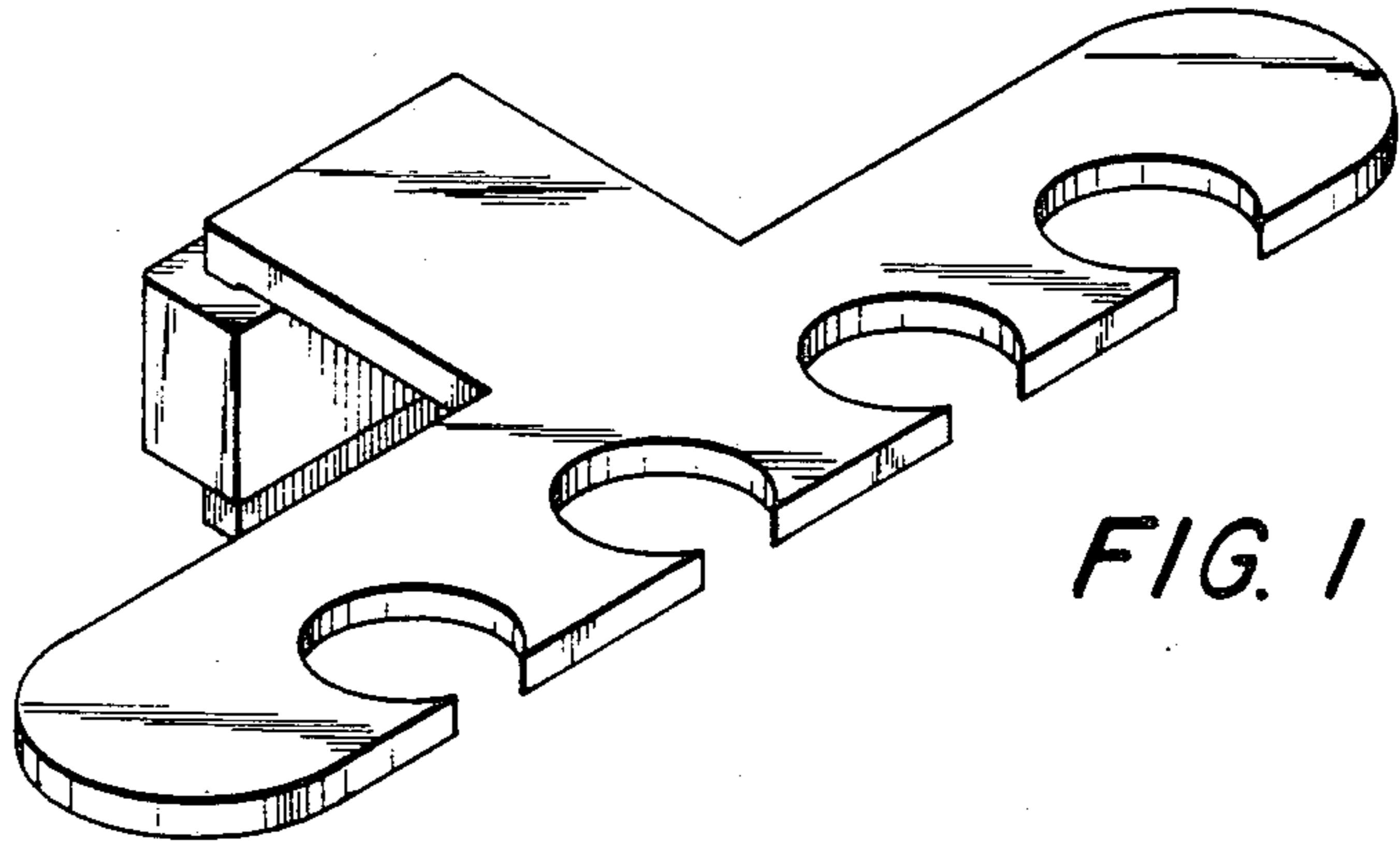


FIG. 1



FIG. 2

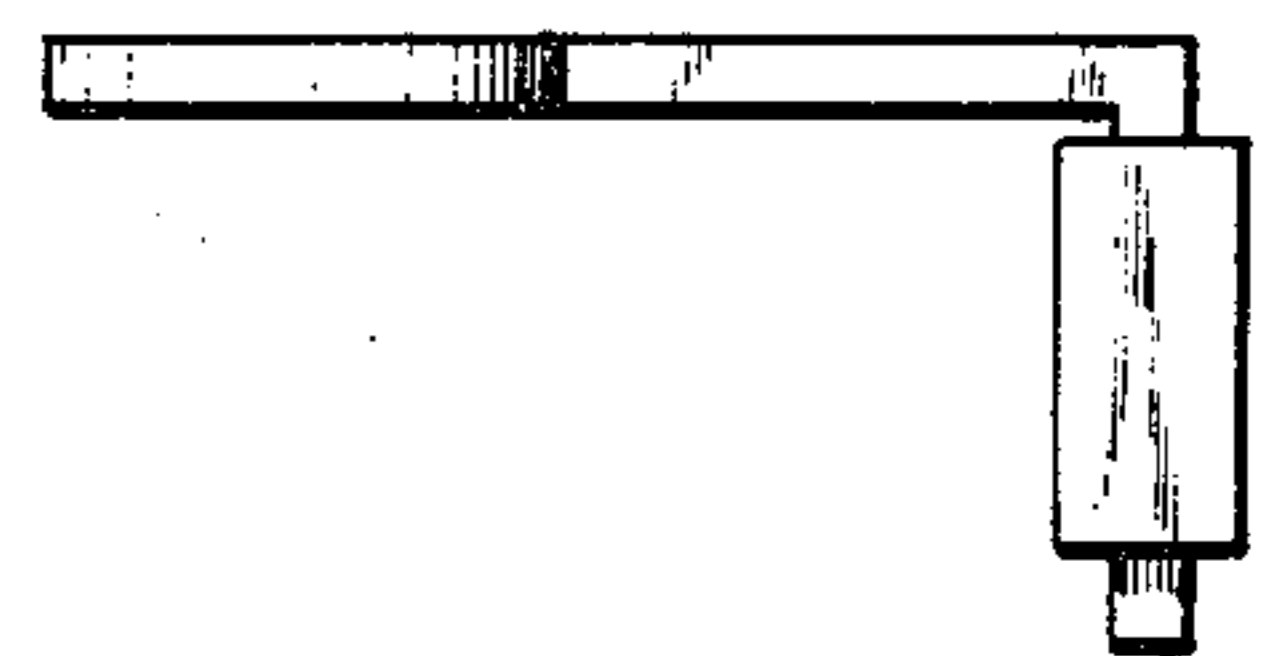


FIG. 3

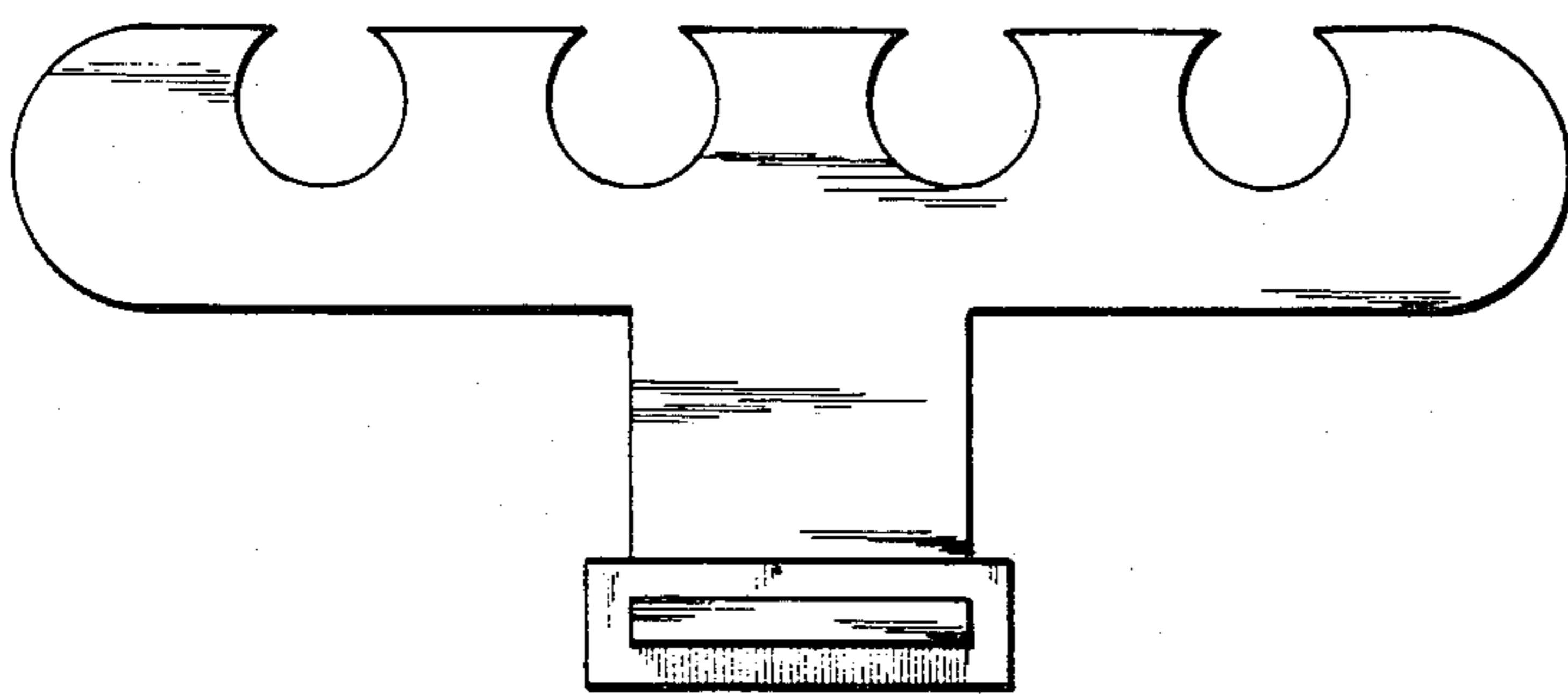


FIG. 4

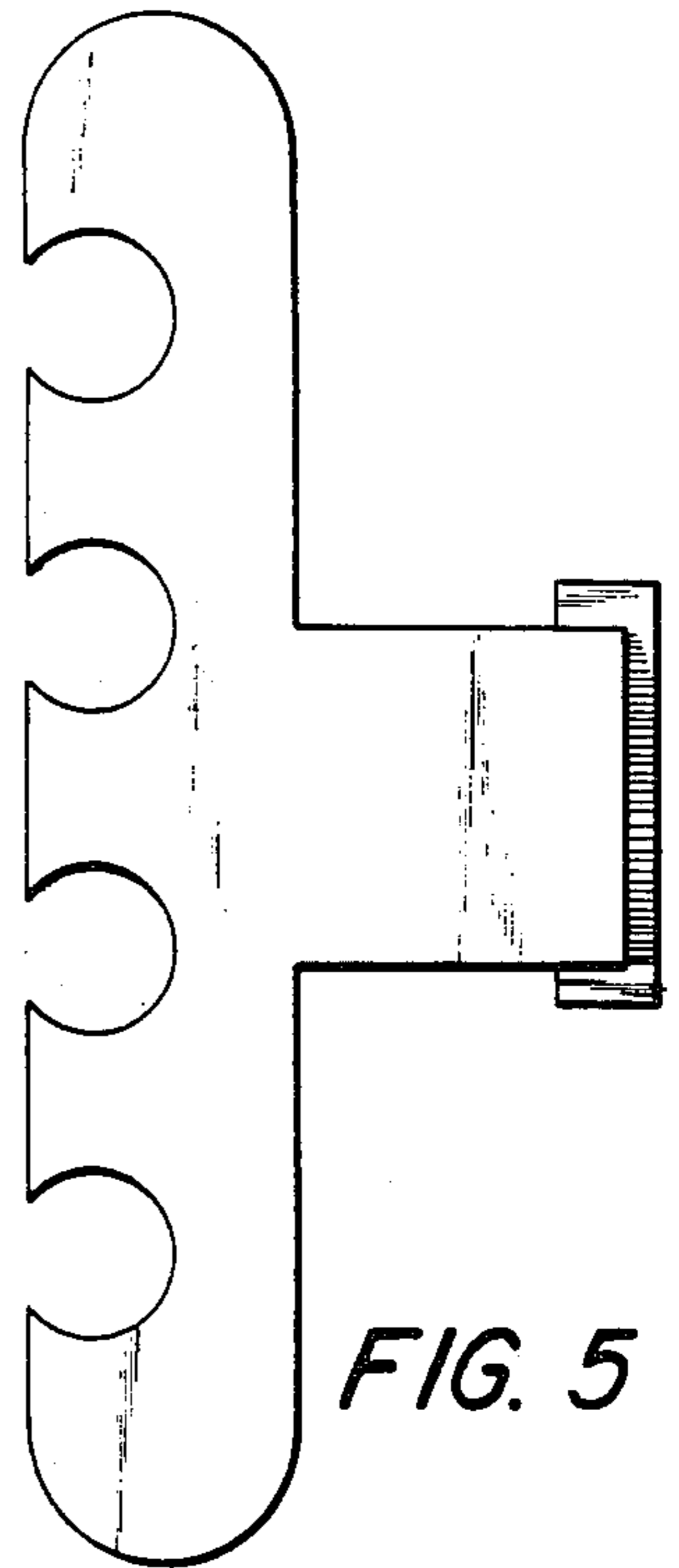


FIG. 5

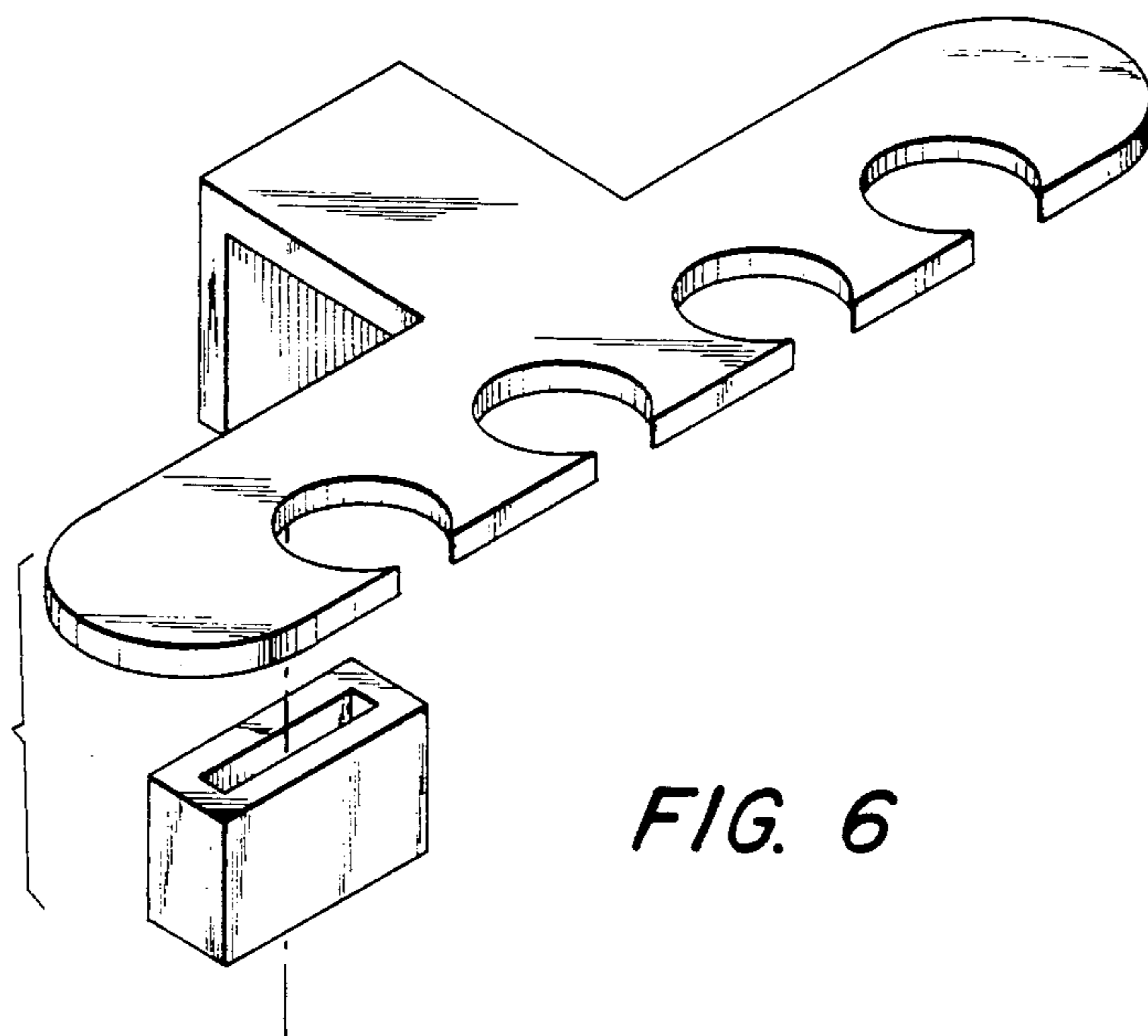


FIG. 6

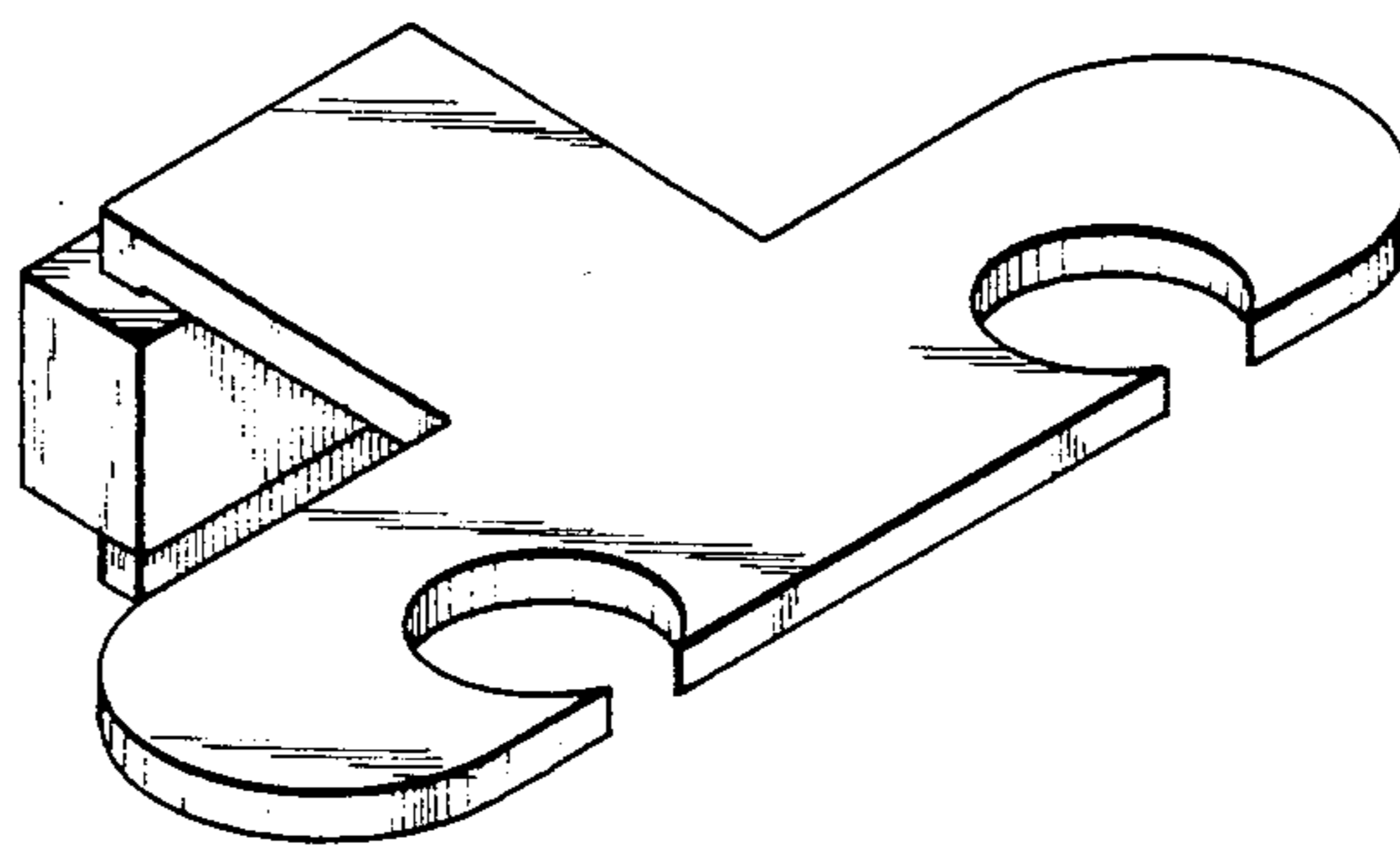


FIG. 7

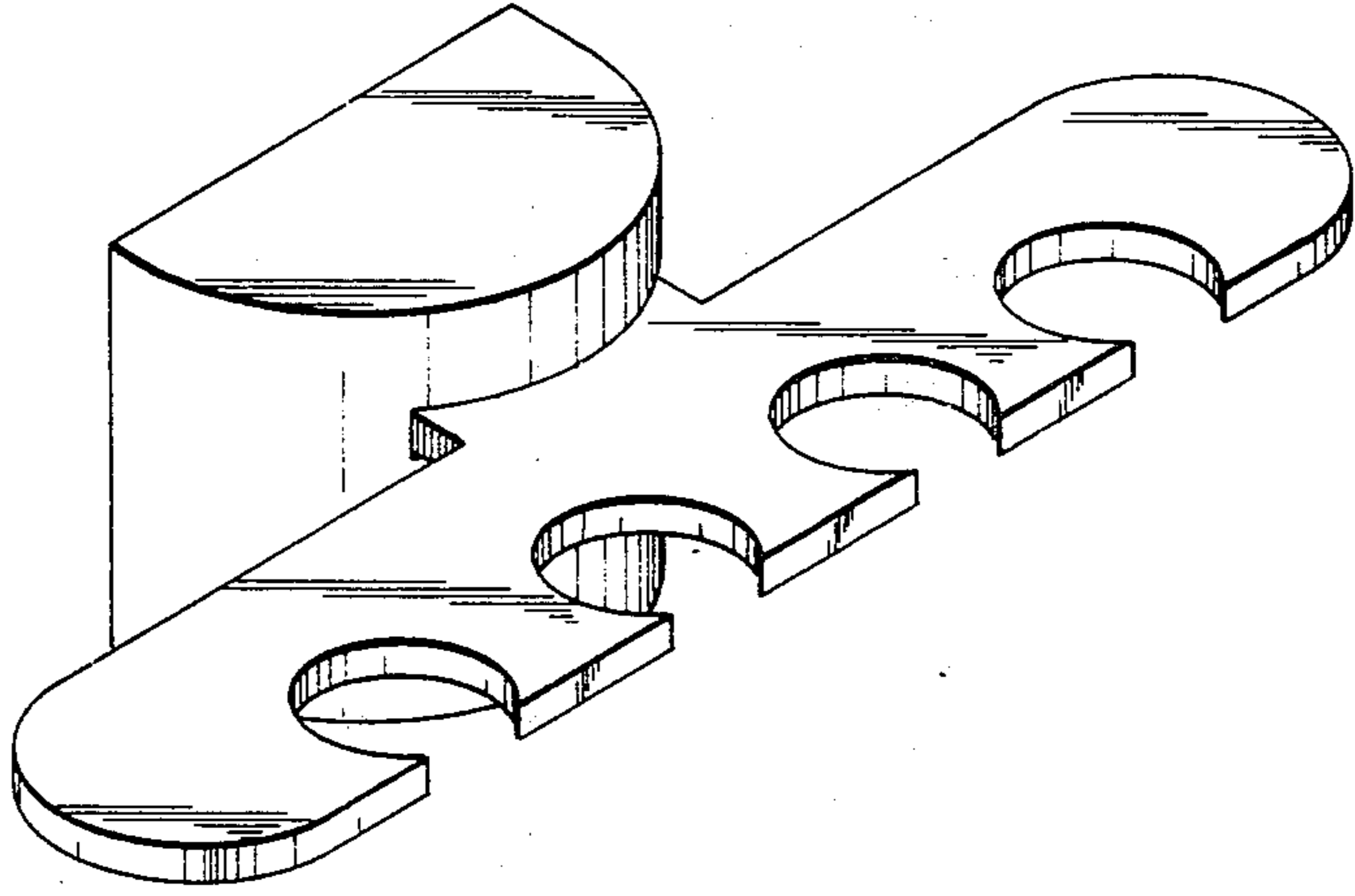


FIG. 8

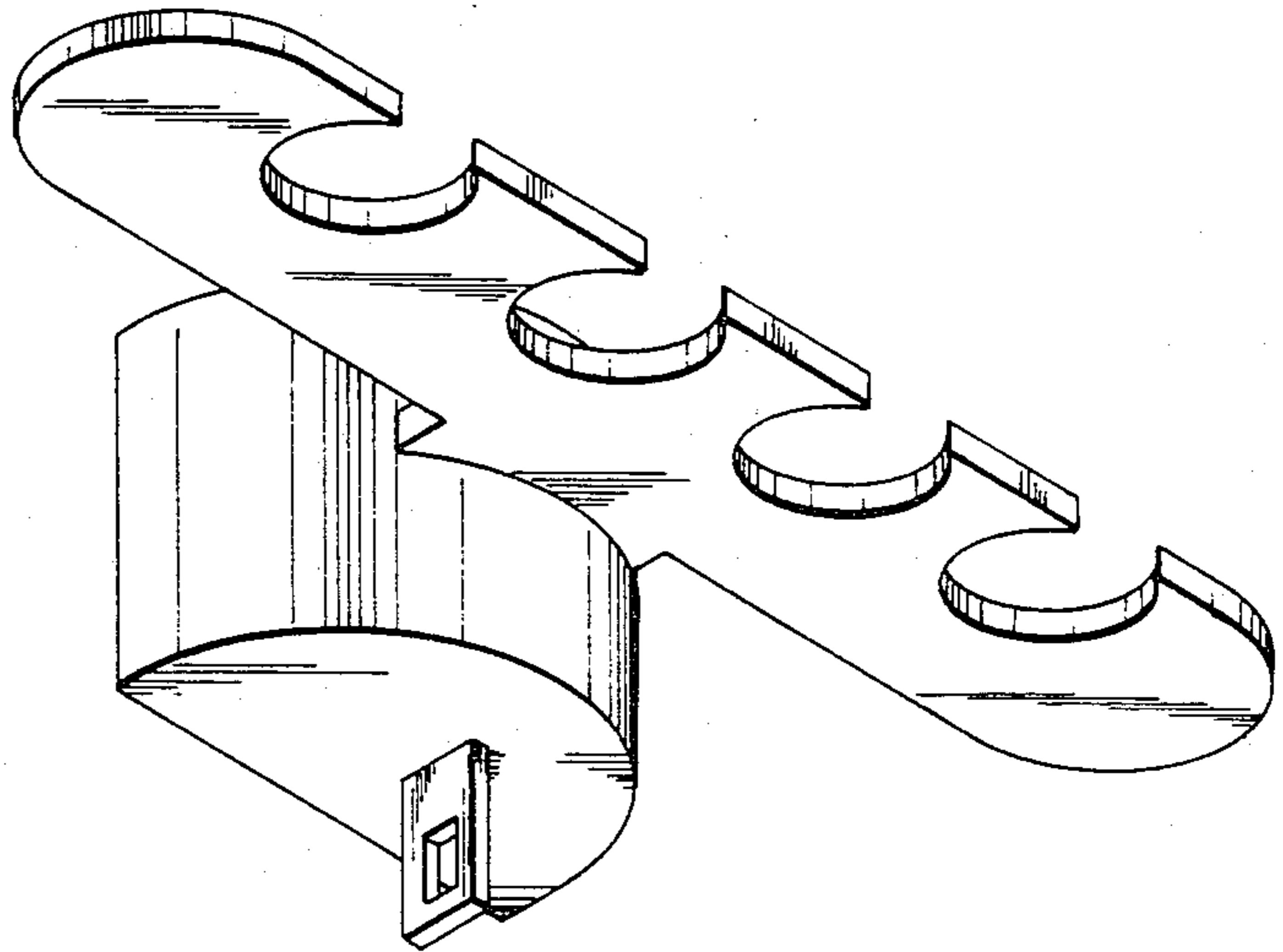


FIG. 9