

[54] DESK

[75] Inventor: Seiji Koguma, Tokyo, Japan

[73] Assignee: Okamura Corporation, Yokohama, Japan

[\*\*] Term: 14 Years

[21] Appl. No.: 463,394

[22] Filed: Feb. 3, 1983

[52] U.S. Cl. .... D6/426

[58] Field of Search ..... D6/421-432, D6/480, 484; D14/103; 434/432; 312/194-196

[56] References Cited

U.S. PATENT DOCUMENTS

- D. 161,361 12/1950 Moore ..... D6/426
- D. 239,227 3/1976 Vogt ..... D6/426
- D. 255,737 7/1980 Gayeski ..... D6/426

OTHER PUBLICATIONS

*Scandillne*, p. 56; top two views on page.  
*Design*, Mar. 1975; p. 54; Desk on page.  
*Office Products Dealer*, Nov. 1979, p. 61; System by Compal, Inc. Item #191 second from top on right.  
*Office Products Dealer*, Sep. 1981, p. 158; Desk System on page.

*Primary Examiner*—Carmen H. Vales  
*Attorney, Agent, or Firm*—Poms, Smith, Lande & Rose

[57] CLAIM

The ornamental design for a desk, substantially as shown.

DESCRIPTION

FIG. 1 is a front perspective view of a desk showing my new design; and  
 FIG. 2 is a rear perspective view thereof.

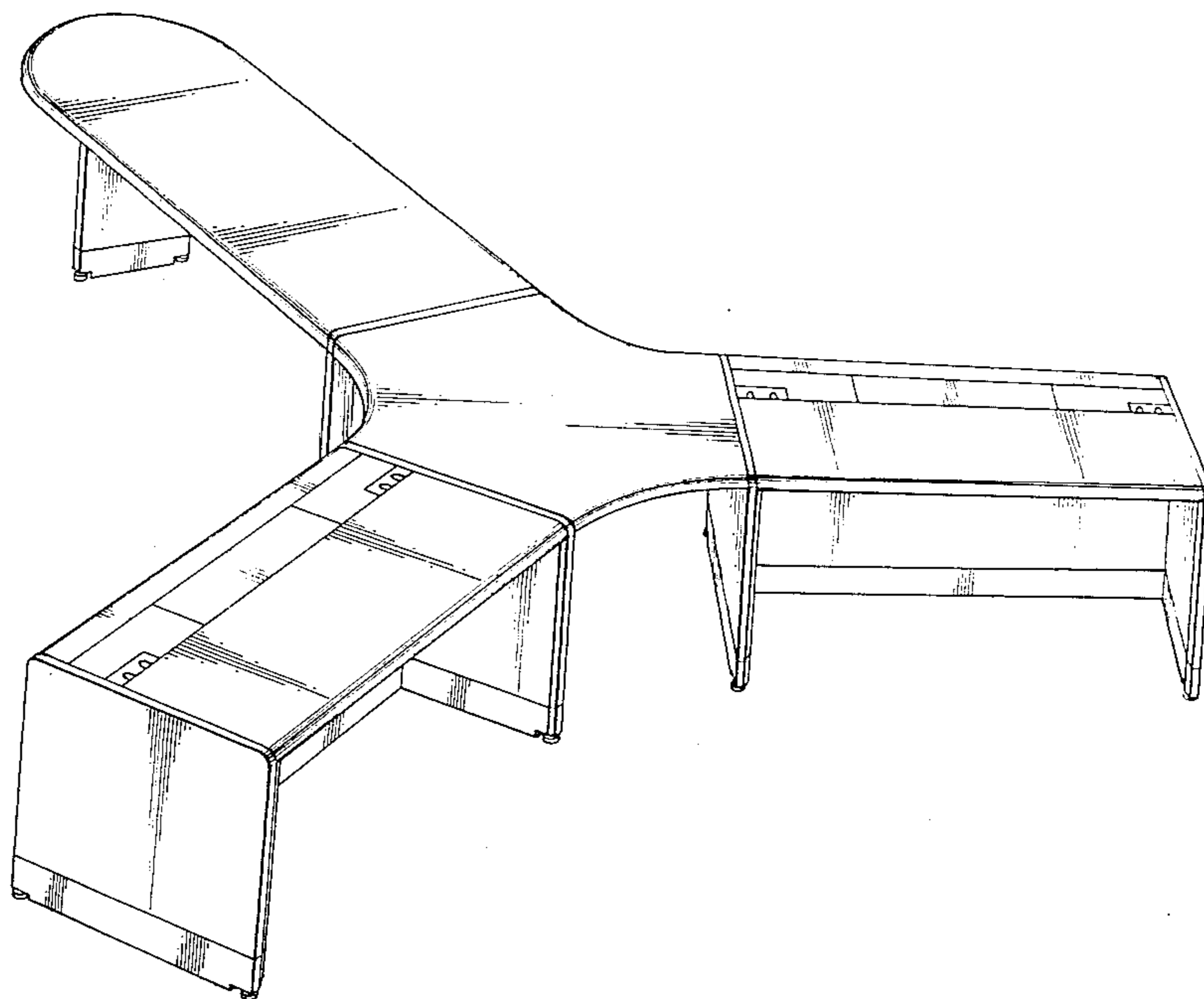
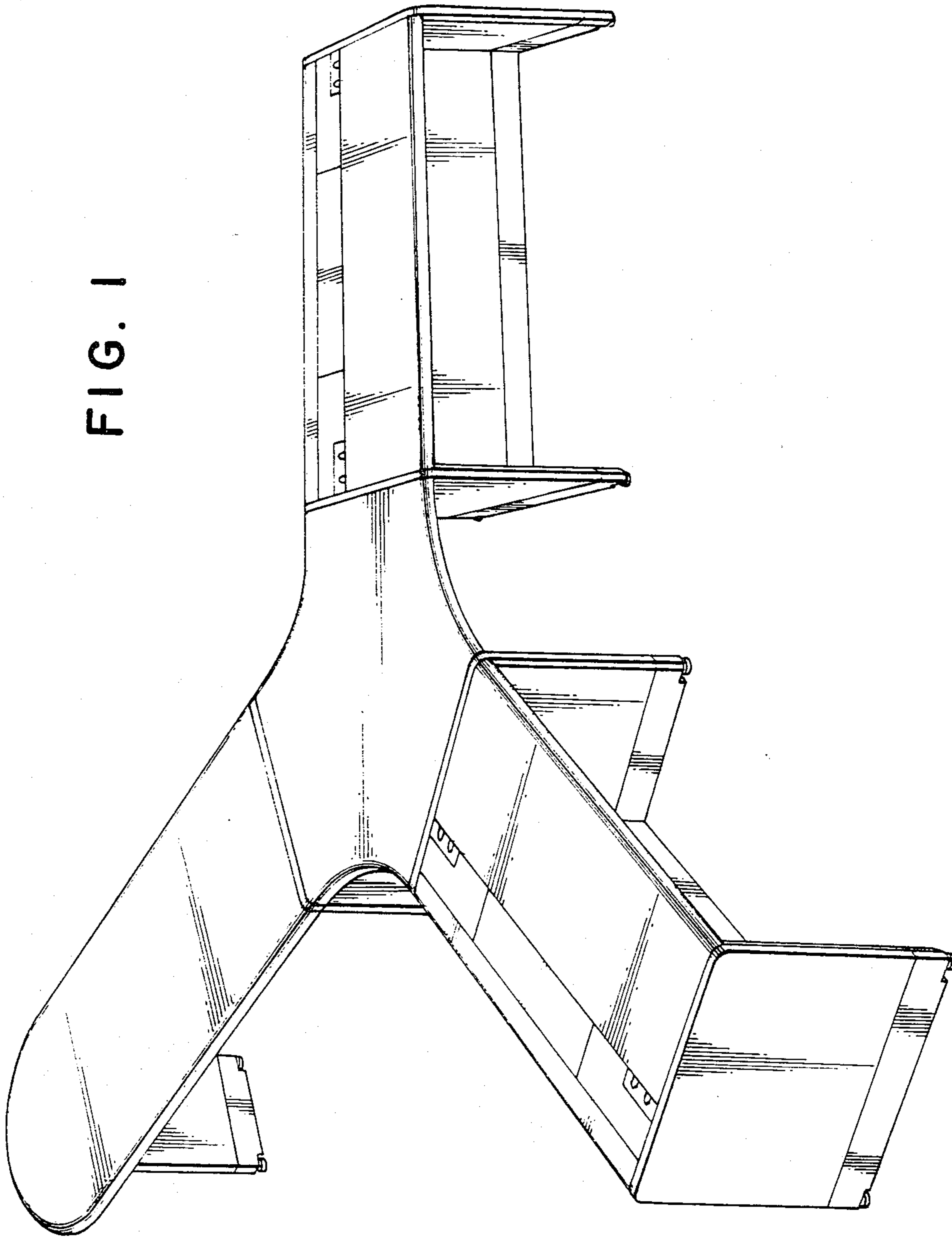


FIG. 1



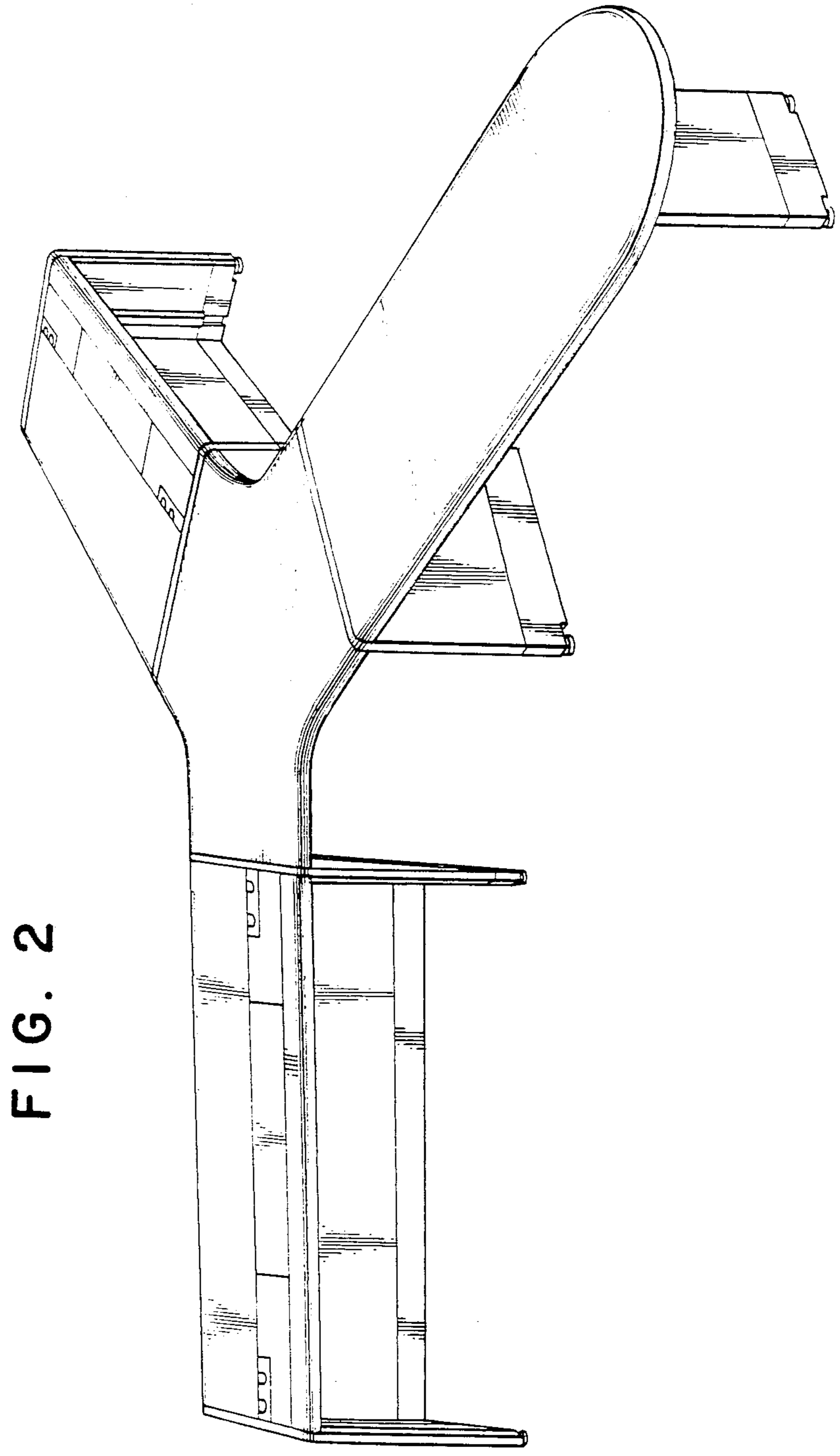


FIG. 2