

# United States Patent [19]

Koguma

[11] Patent Number: **Des. 278,771**

[45] Date of Patent: **\*\* May 14, 1985**

[54] **DESK**  
[75] Inventor: **Seiji Koguma**, Tokyo, Japan  
[73] Assignee: **Okamura Corporation**, Yokohama, Japan  
[\*\*] Term: **14 Years**  
[21] Appl. No.: **463,391**  
[22] Filed: **Feb. 3, 1983**  
[52] U.S. Cl. .... **D6/426**  
[58] Field of Search ..... D6/421-432,  
D6/480, 484, 474, 477, 479; D14/103; 434/432;  
312/194, 195, 196

D. 161,361 12/1950 Moore ..... D6/426  
D. 184,530 3/1959 McCarthy et al. .... D6/426

### OTHER PUBLICATIONS

*Office Master II* by Jofco, p. 7; Desk #FP 2643 far left on page.  
*Scandiline Conference Desk* top two views of page.  
*Interiors* Jan. 1981 p. 51; Desk on page.

*Primary Examiner*—Carmen H. Vales  
*Attorney, Agent, or Firm*—Poms, Smith, Lande & Rose

### [57] CLAIM

The ornamental design for a desk, substantially as shown.

### [56] References Cited

#### U.S. PATENT DOCUMENTS

D. 80,593 2/1930 Wege ..... D6/426  
D. 160,107 9/1950 Moffitt ..... D6/474

### DESCRIPTION

FIG. 1 is a front perspective view of a desk showing my new design; and  
FIG. 2 is a rear perspective view thereof.

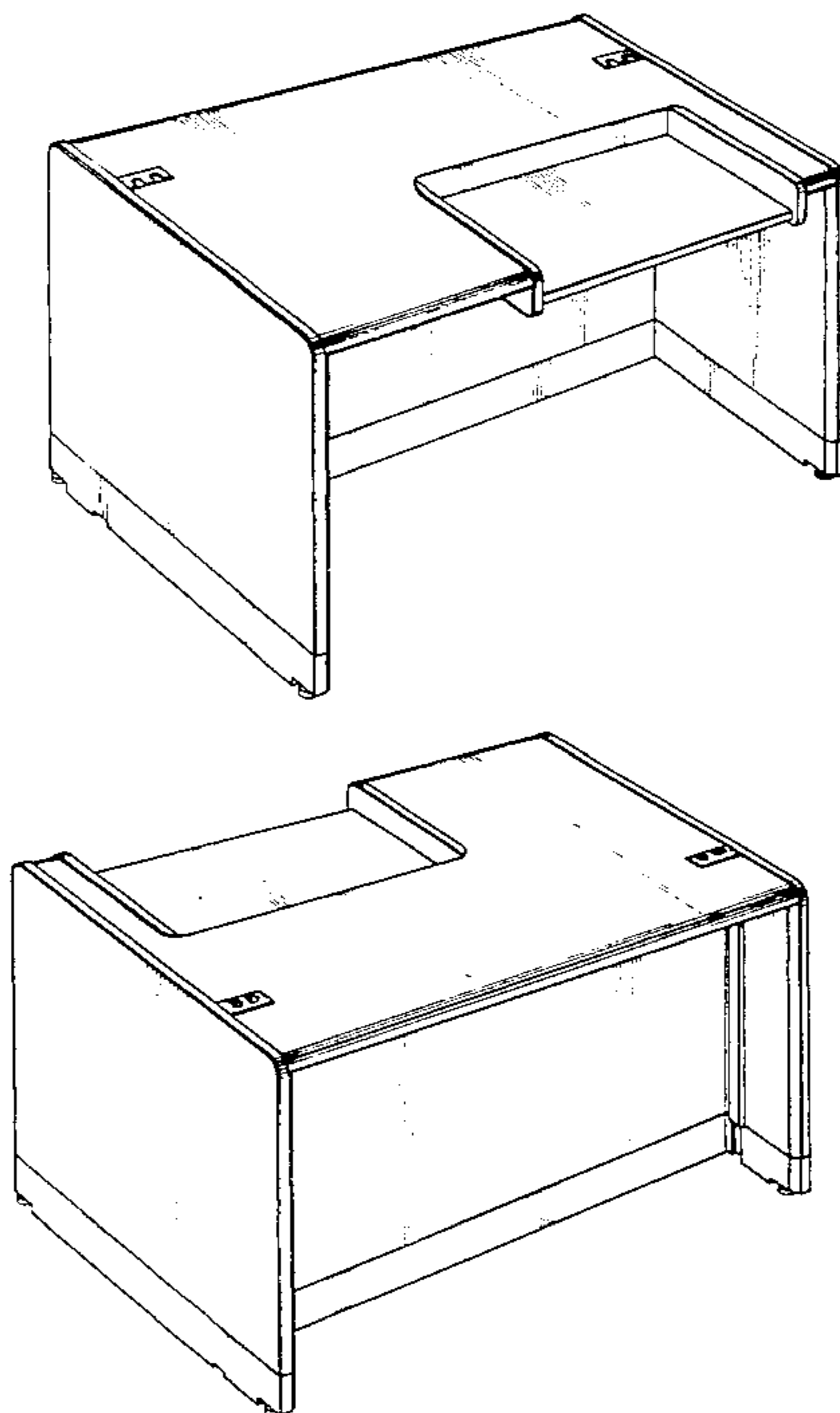


FIG. 1

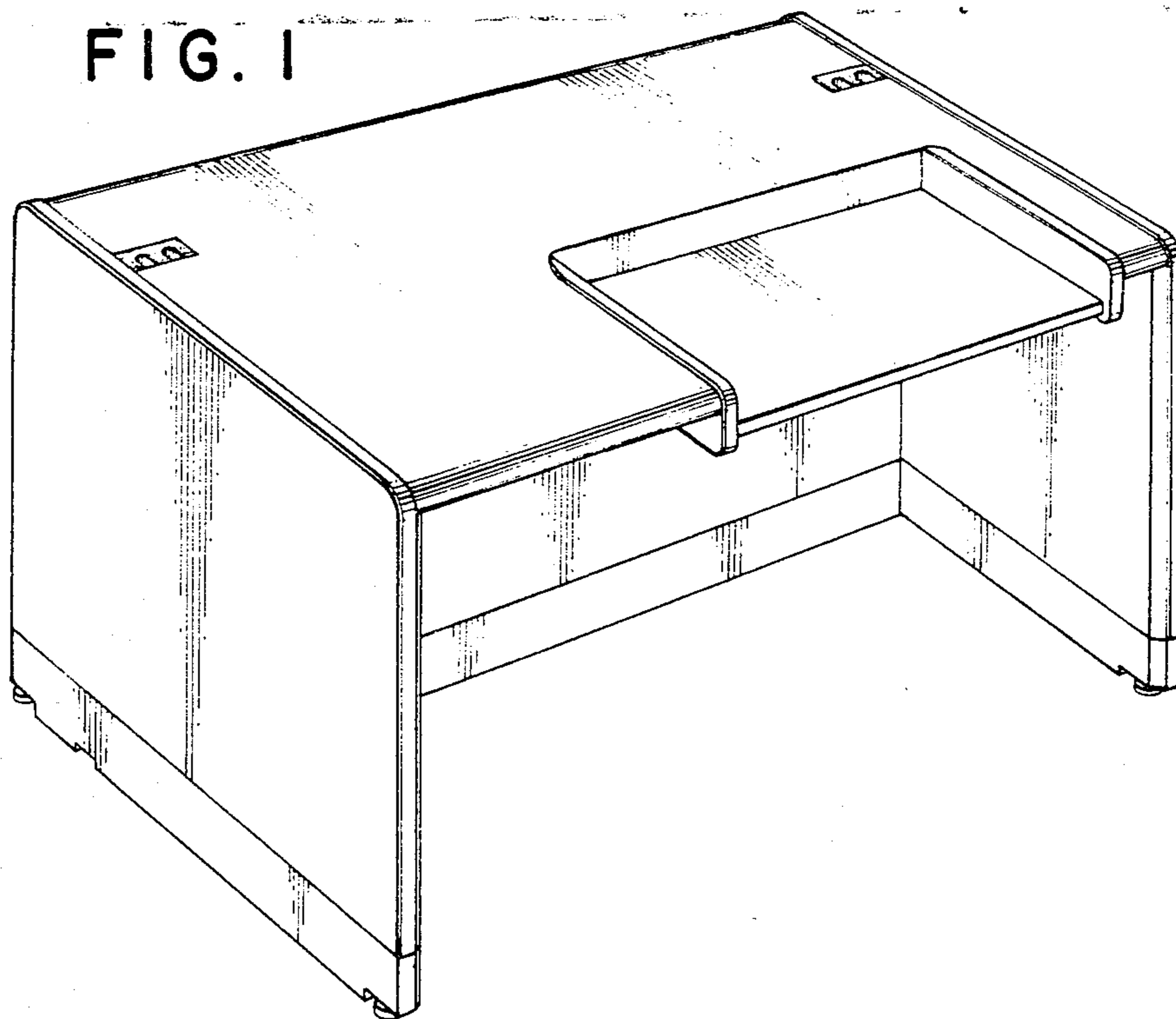


FIG. 2

