

[54] **DESK**
[75] **Inventor: Seiji Koguma, Tokyo, Japan**
[73] **Assignee: Okamura Corporation, Yokohama, Japan**
[**] **Term: 14 Years**
[21] **Appl. No.: 463,393**
[22] **Filed: Feb. 3, 1983**
[52] **U.S. Cl. D6/423**
[58] **Field of Search D6/421-432, D6/480-484; D14/103; 434/432; 312/194, 195, 196**

[56] **References Cited**
U.S. PATENT DOCUMENTS
D. 134,298 11/1942 Eppenstein D6/427
D. 161,361 12/1950 Moore D6/426
D. 225,046 11/1972 Nance D6/423
D. 239,061 3/1976 D'Elia D6/423

OTHER PUBLICATIONS
Wood Office Furniture by Imperial Desk Co., p. 12; far right desk grouping at bottom.
Mettamosu Casa Insheme Supplement to Abitare p. 16; bottom right desk group.
Office Products Dealer May 1981 p. 64; Work Station by Datum Filing Systems Inc; top right on page.
Interiors Sep. 1979 p. 10; "Croydon's McClean Desk System" bottom right of page.
Primary Examiner—Carmen H. Vales
Attorney, Agent, or Firm—Poms, Smith, Lande and Rose

[57] **CLAIM**
The ornamental design for a desk, substantially as shown.

DESCRIPTION
FIG. 1 is a front perspective view of a desk showing my new design; and
FIG. 2 is a rear perspective view thereof.

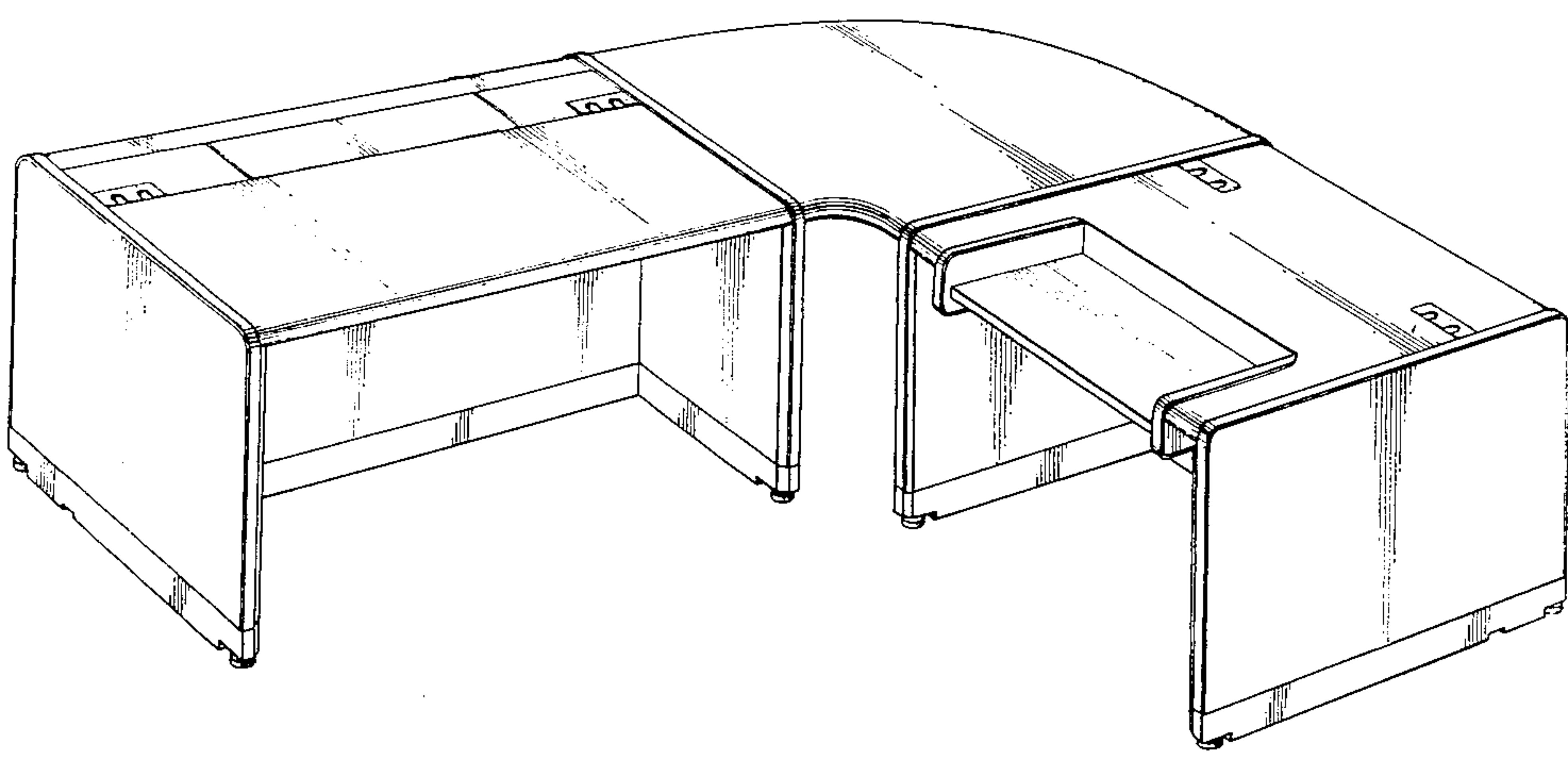


FIG. 1

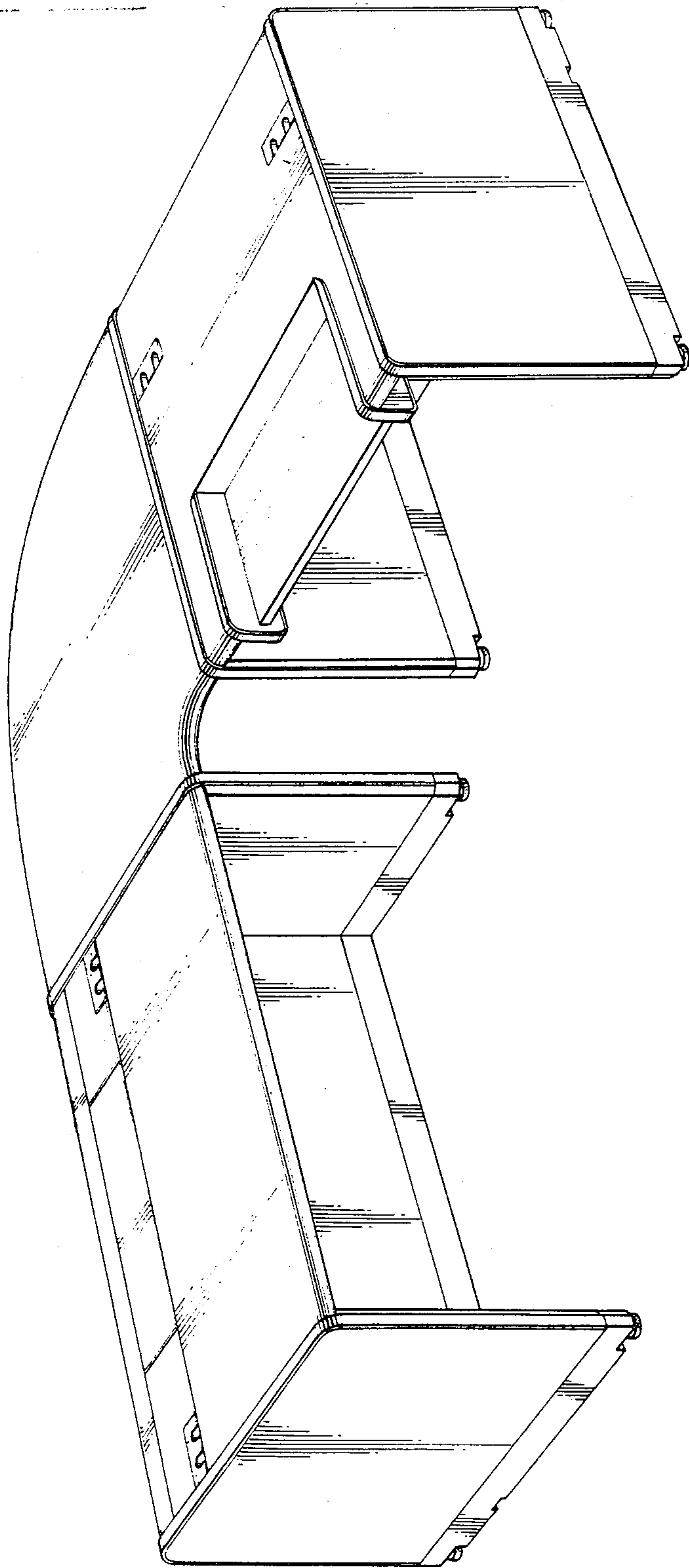


FIG. 2

