

[54] COMBINED COSTUMER AND STORAGE UNIT

[76] Inventor: Ronald W. Sharpe, 9465 Wilshire Blvd., Beverly Hills, Calif. 90212

[\*\*] Term: 14 Years

[21] Appl. No.: 467,519

[22] Filed: Feb. 18, 1983

[52] U.S. Cl. .... D6/414

[58] Field of Search ..... D6/396, 397, 371, 372, D6/315, 318, 327, 411, 413, 414; 312/237

[56] References Cited

U.S. PATENT DOCUMENTS

- D. 39,271 4/1908 Wilson ..... D6/414
- D. 49,624 9/1916 Rought ..... D6/413
- D. 87,717 9/1932 Grimm ..... D6/414
- D. 105,241 7/1937 Erlanger ..... D6/397

- D. 138,063 6/1944 Burr ..... D6/414
- D. 141,851 7/1945 Schweitzer ..... D6/414
- D. 217,345 4/1970 Pitt ..... D6/372 X

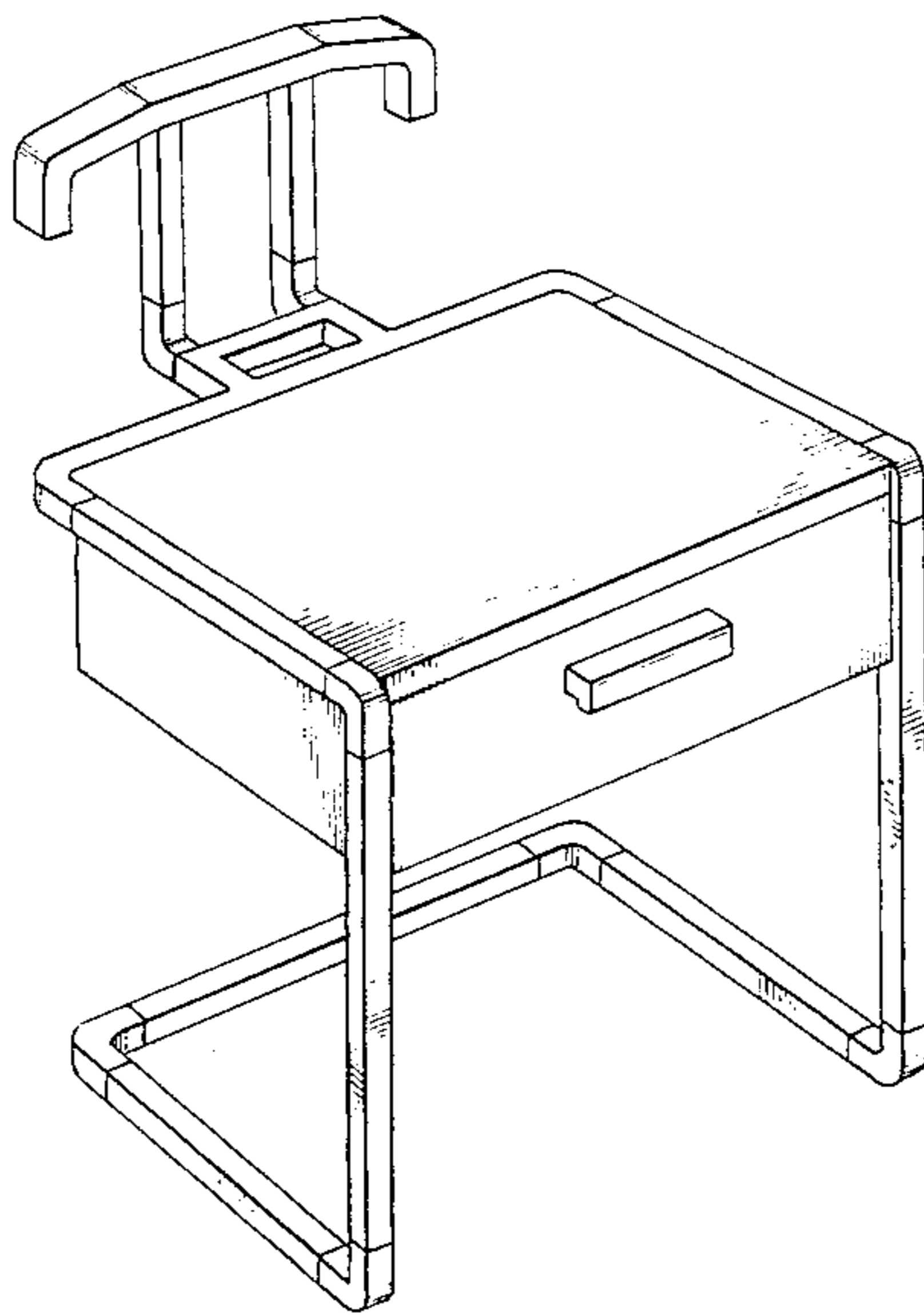
Primary Examiner—Carmen H. Vales  
Attorney, Agent, or Firm—Blakely, Sokoloff, Taylor & Zafman

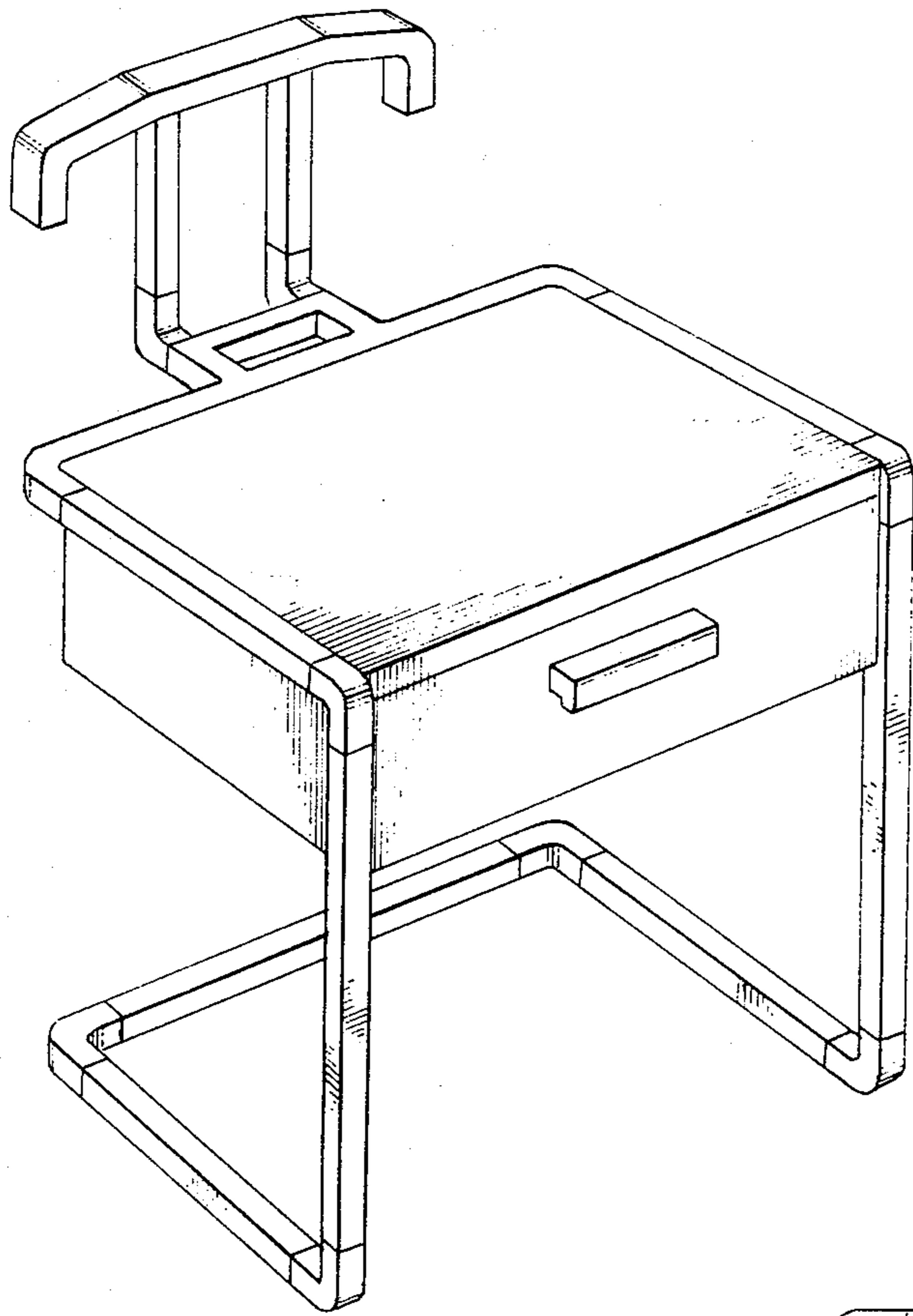
[57] CLAIM

The combined costumer and storage unit, substantially as shown.

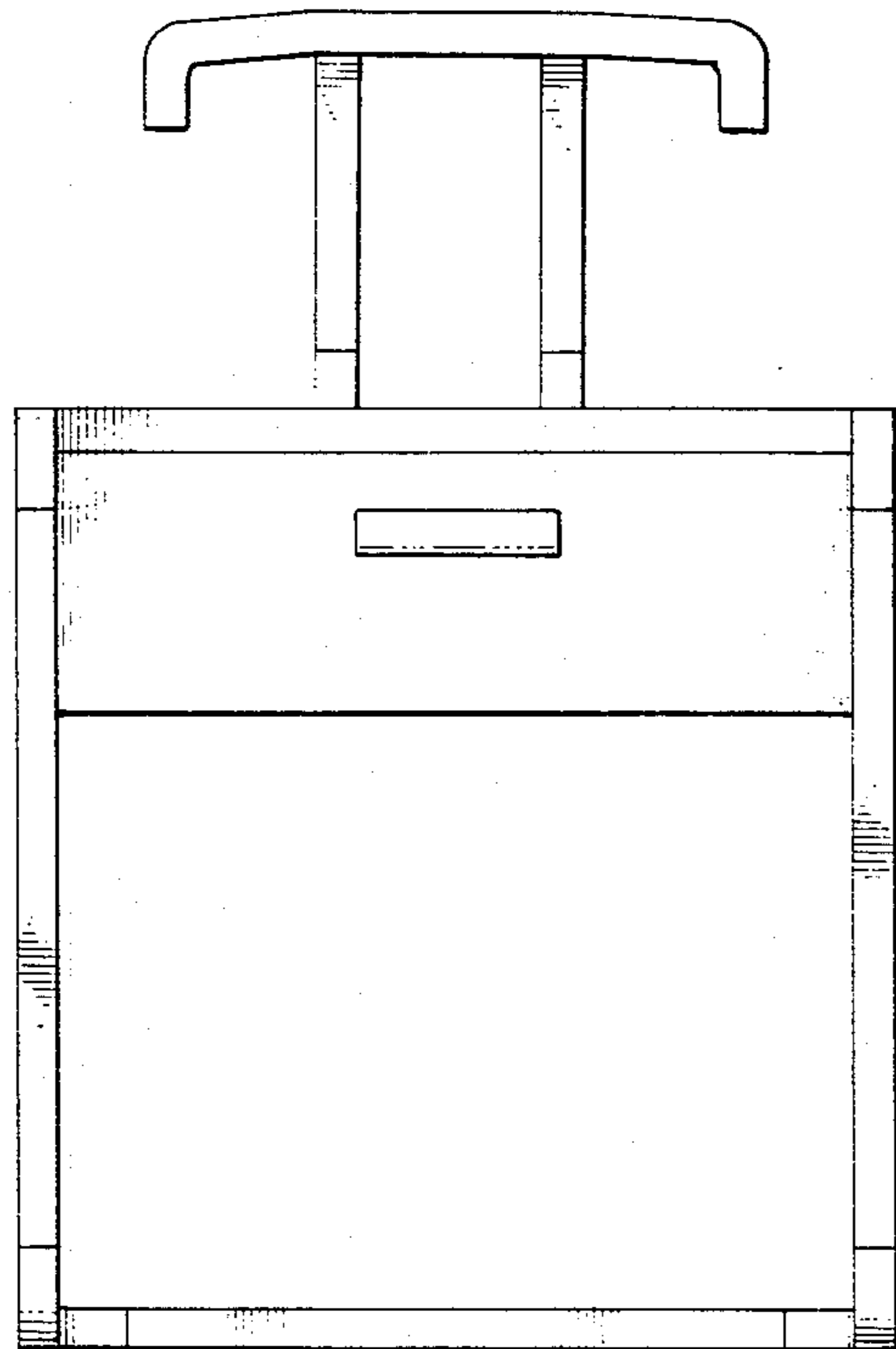
DESCRIPTION

FIG. 1 is a front perspective view of a combined costumer and storage unit showing my new design; FIG. 2 is a top plan view thereof; FIG. 3 is a front elevational view thereof; FIG. 4 is a right side elevational view thereof; FIG. 5 is a rear elevational view thereof; and FIG. 6 is a bottom plan view thereof.

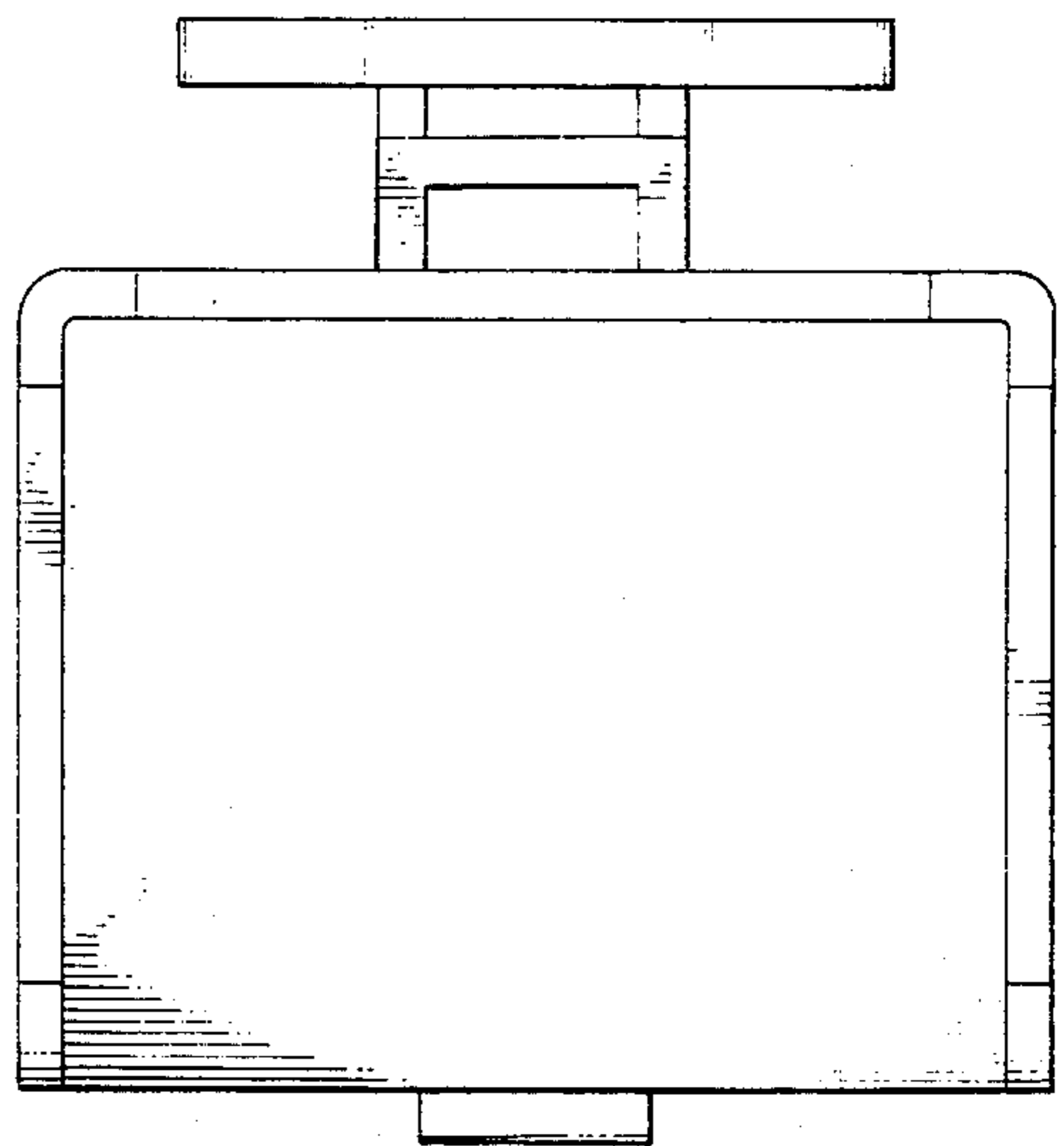




*Fig. 1*

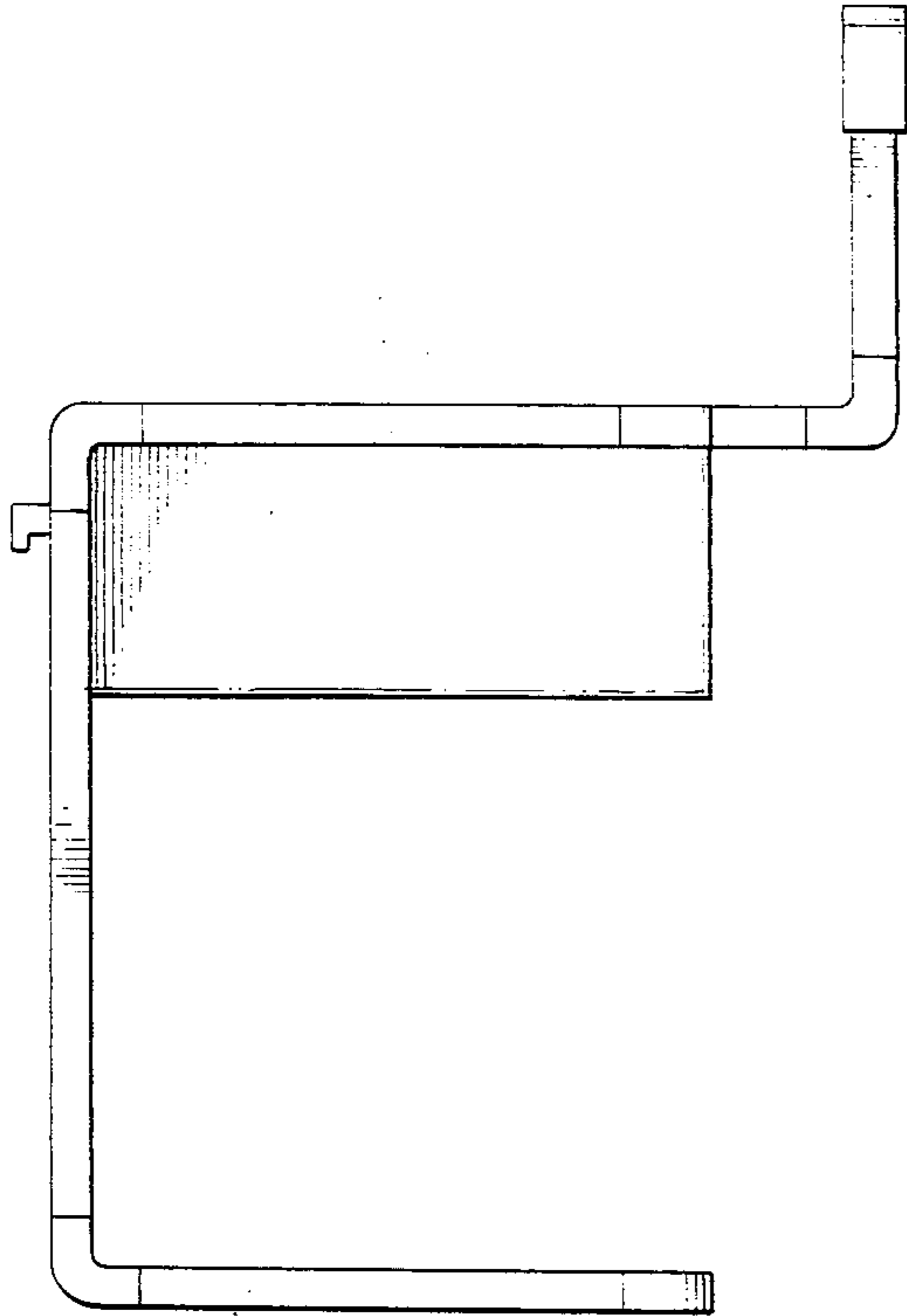


*Fig. 2*

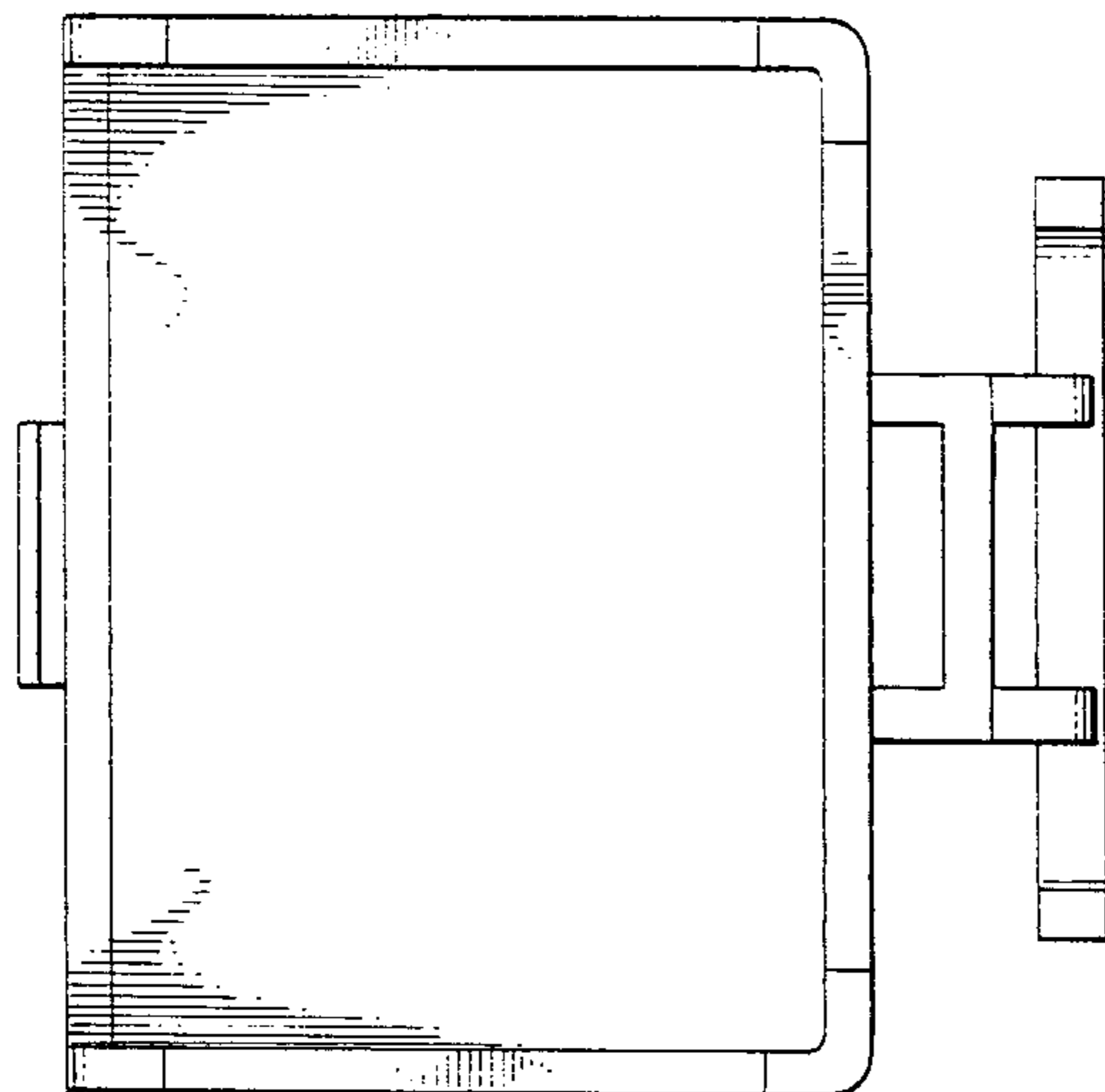
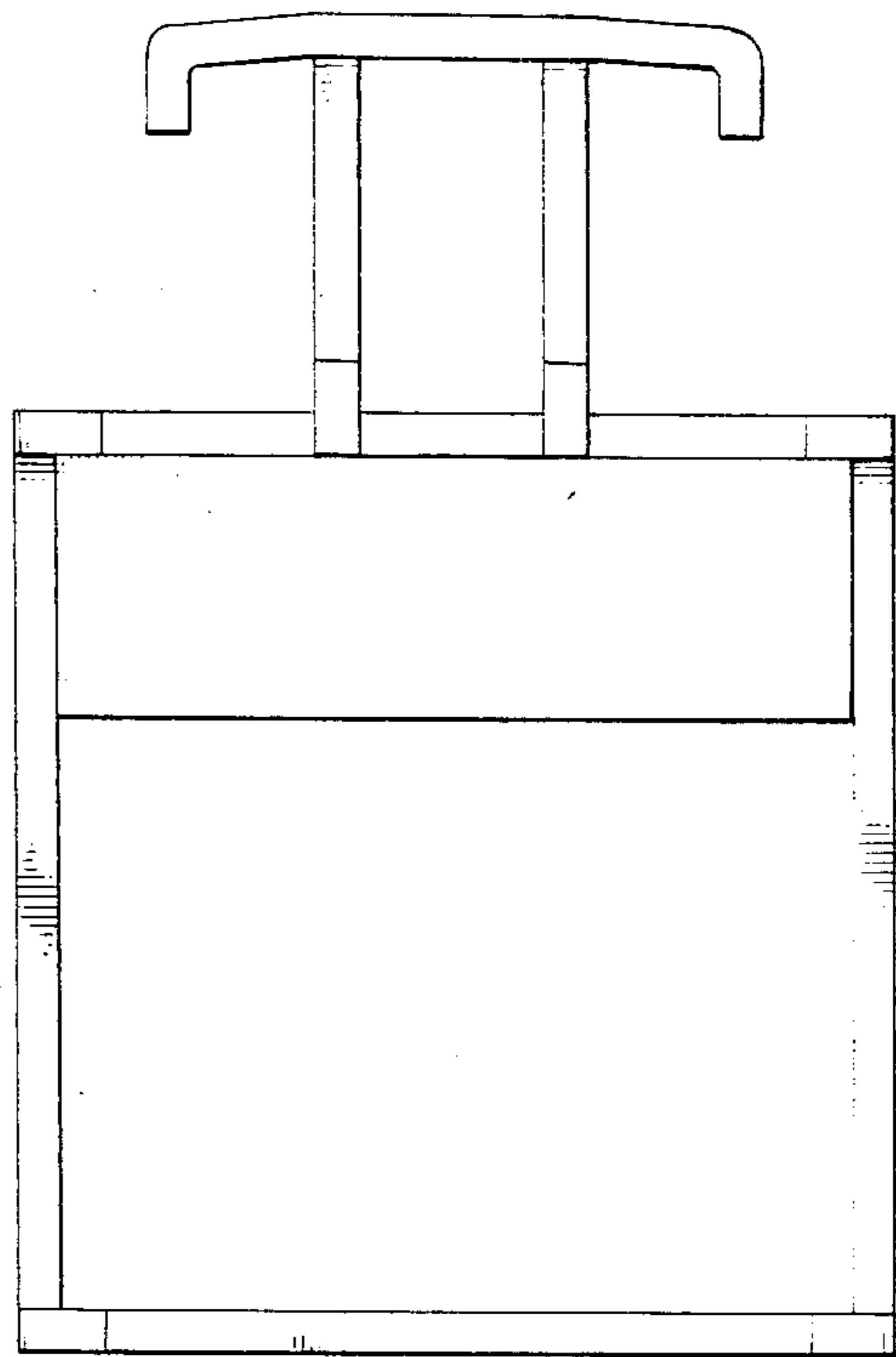


*Fig. 3*

*Fig. 4*



*Fig. 5*



*Fig. 6*