

United States Patent [19]

Sharpe

[11] Patent Number: **Des. 278,768**

[45] Date of Patent: **** May 14, 1985**

[54] **COMBINED COSTUMER AND STORAGE UNIT**

[76] Inventor: **Ronald W. Sharpe**, 9465 Wilshire Blvd., Beverly Hills, Calif. 90212

[**] Term: **14 Years**

[21] Appl. No.: **467,518**

[22] Filed: **Feb. 18, 1983**

[52] U.S. Cl. **D6/414**

[58] Field of Search D6/396, 397, 371, 372, D6/315, 318, 327, 411, 413, 414; 312/237

[56] **References Cited**

U.S. PATENT DOCUMENTS

- D. 39,271 4/1908 Wilson D6/414
- D. 49,624 9/1916 Rought D6/413
- D. 87,717 9/1932 Grimm D6/414

- D. 105,241 7/1937 Erlanger D6/397
- D. 138,063 6/1944 Burr D6/414
- D. 141,851 7/1945 Schweitzer D6/414

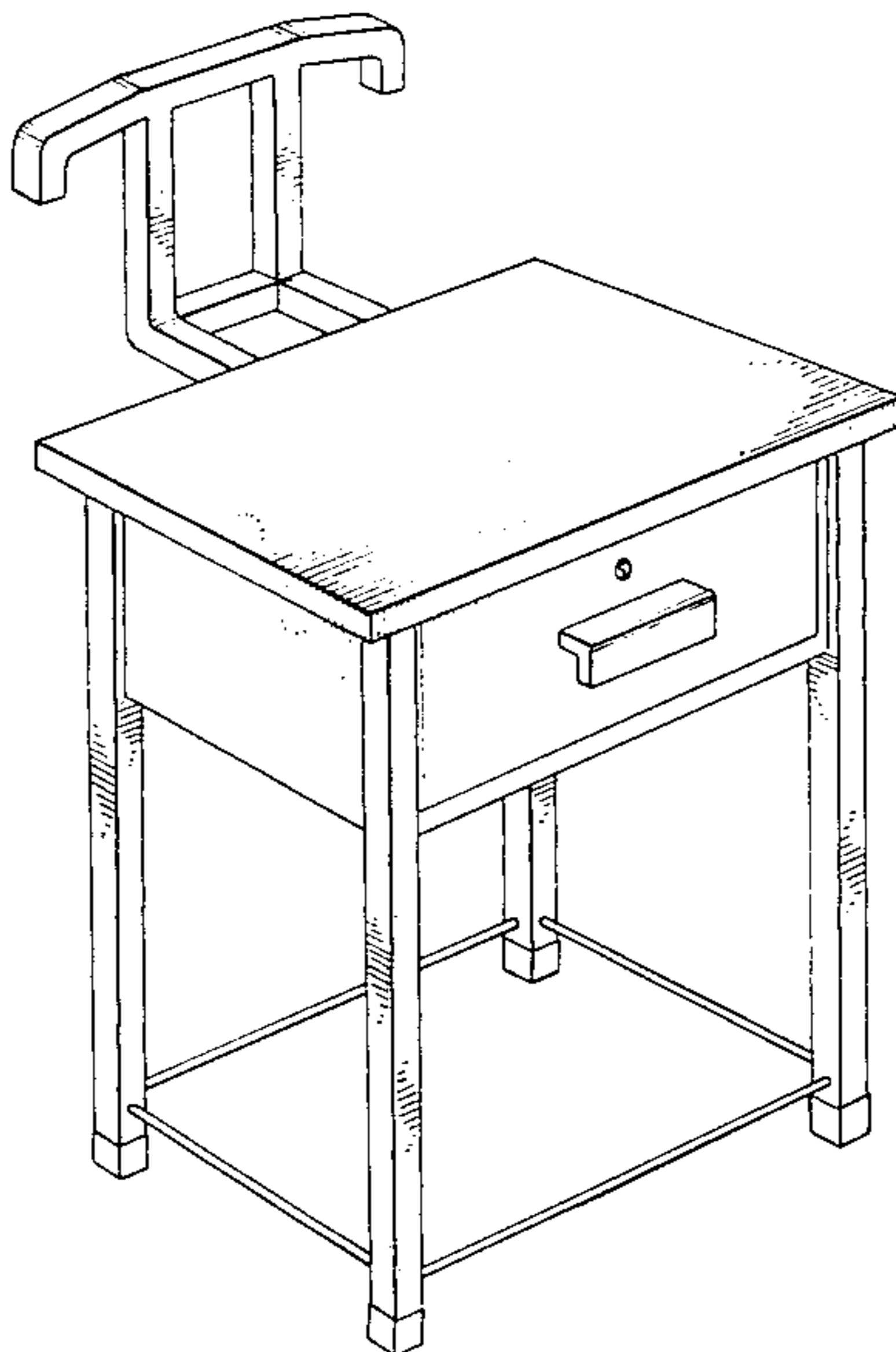
Primary Examiner—Carmen H. Vales
Attorney, Agent, or Firm—Blakely, Sokoloff, Taylor & Zafman

[57] **CLAIM**

The ornamental design for a combined costumer and storage unit, substantially as shown.

DESCRIPTION

FIG. 1 is a front perspective view of a combined costumer and storage unit showing my new design; FIG. 2 is a top plan view thereof; FIG. 3 is a front elevational view thereof; FIG. 4 is a right side elevational view thereof; FIG. 5 is a rear elevational view thereof; and FIG. 6 is a bottom plan view thereof.



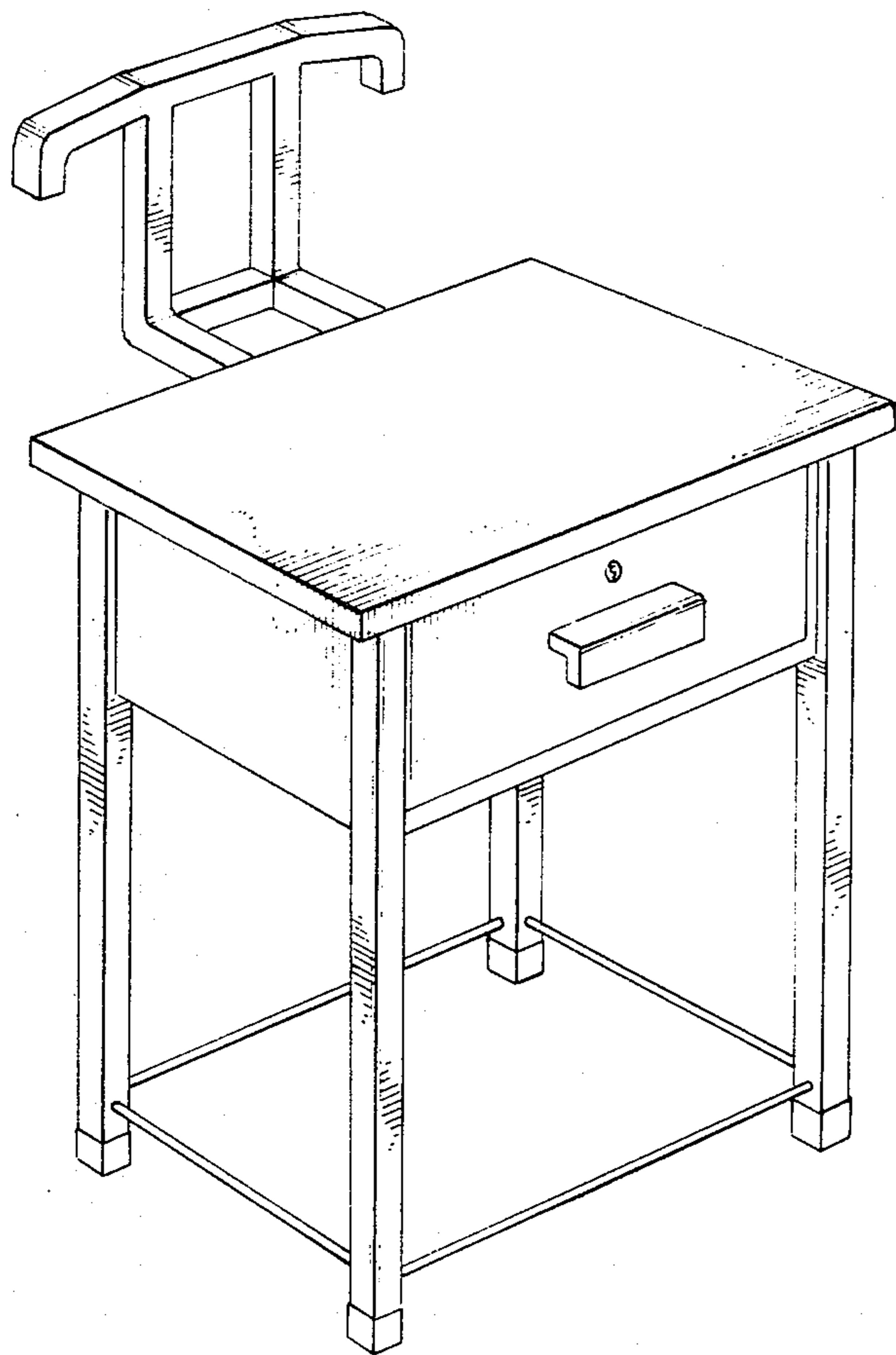


Fig. 1

Fig. 2

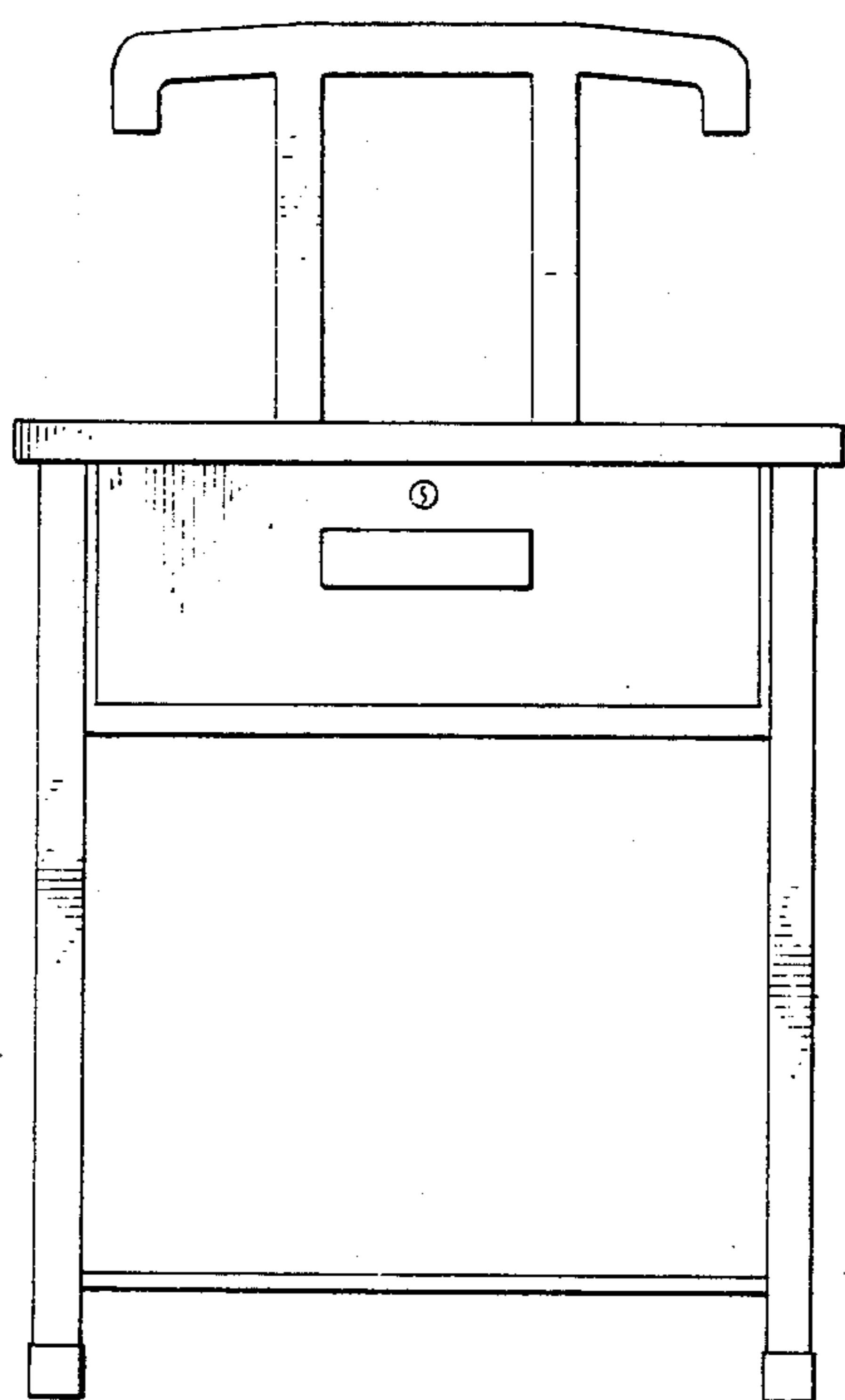
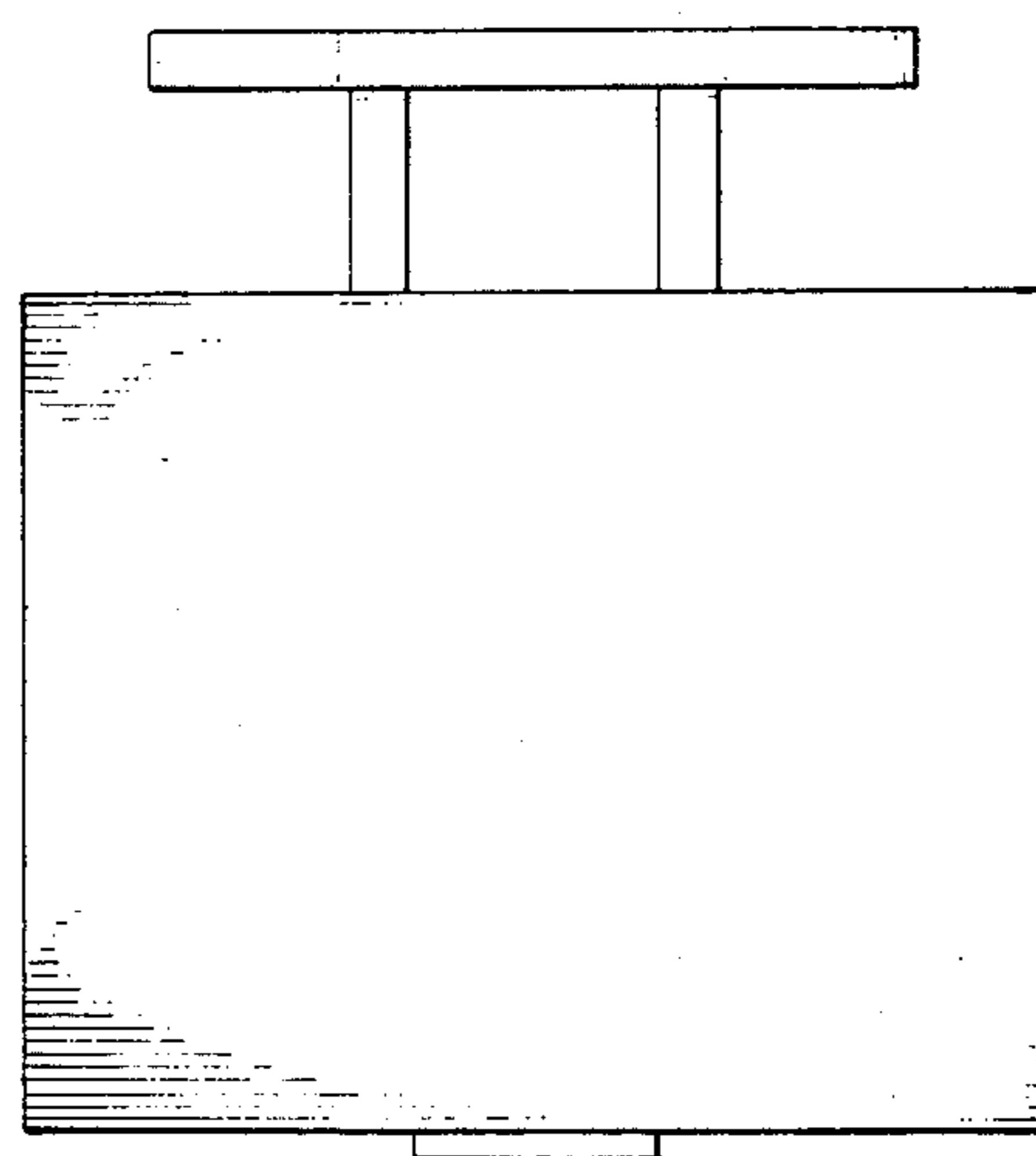


Fig. 3

Fig. 4

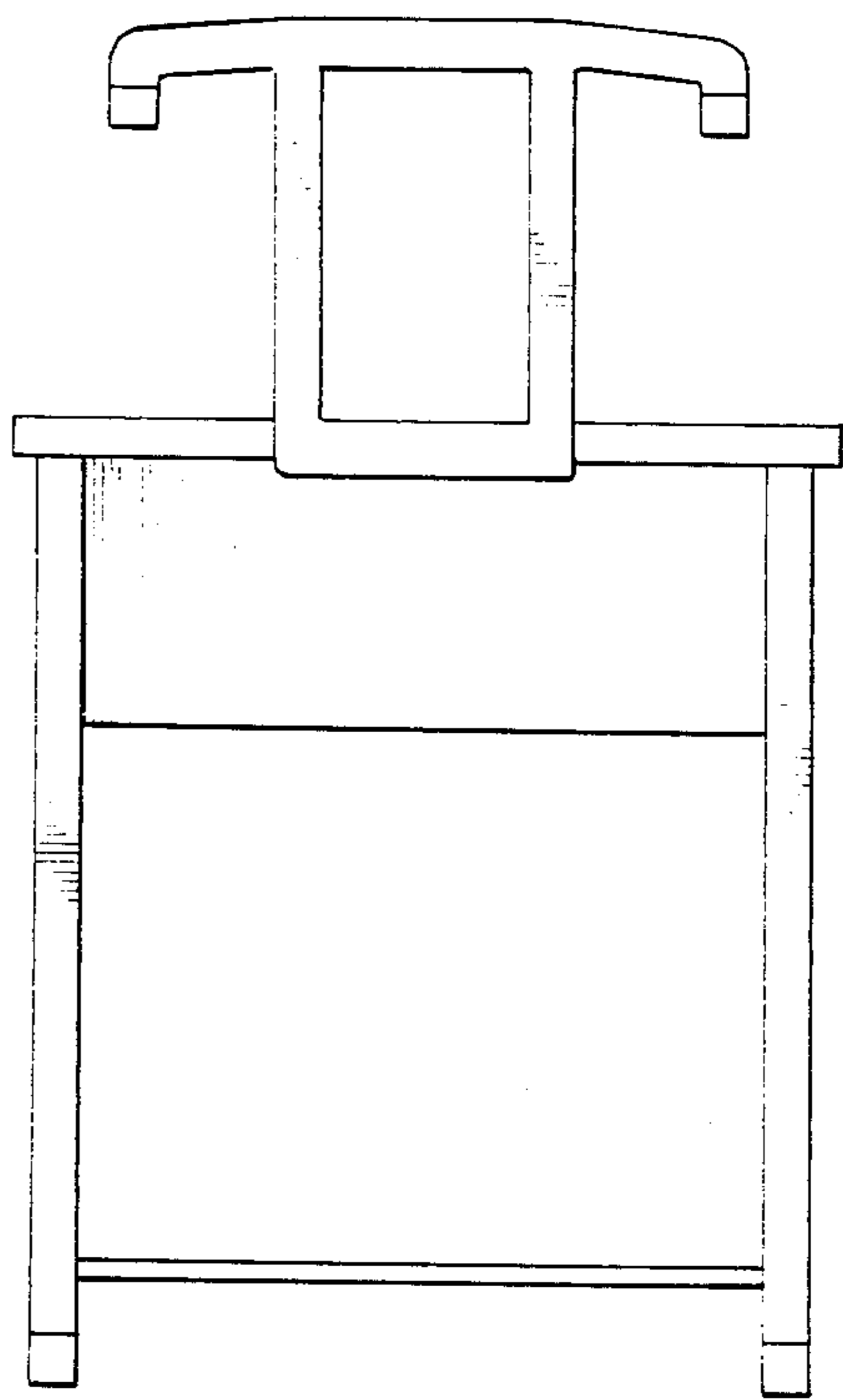
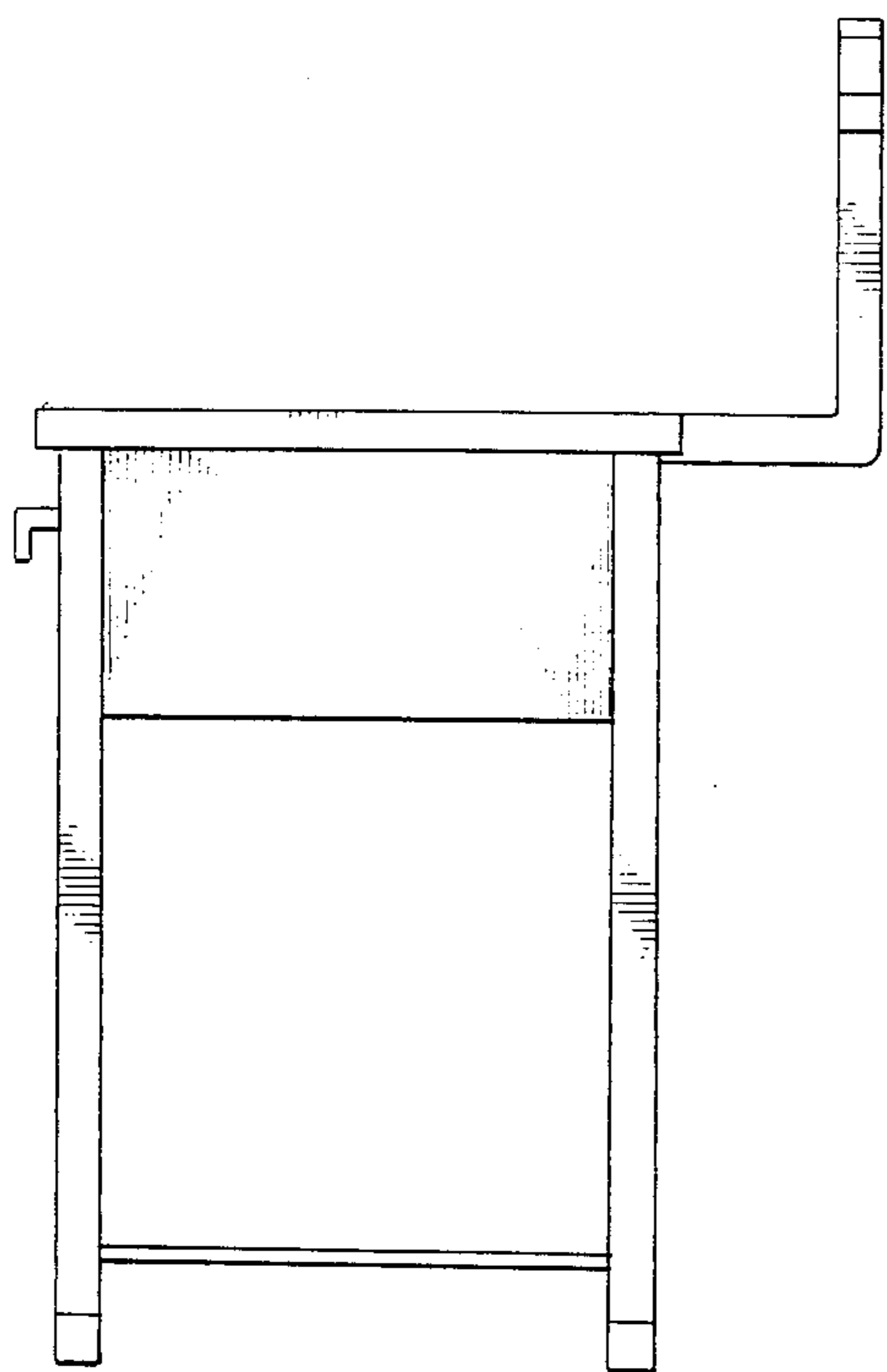


Fig. 5

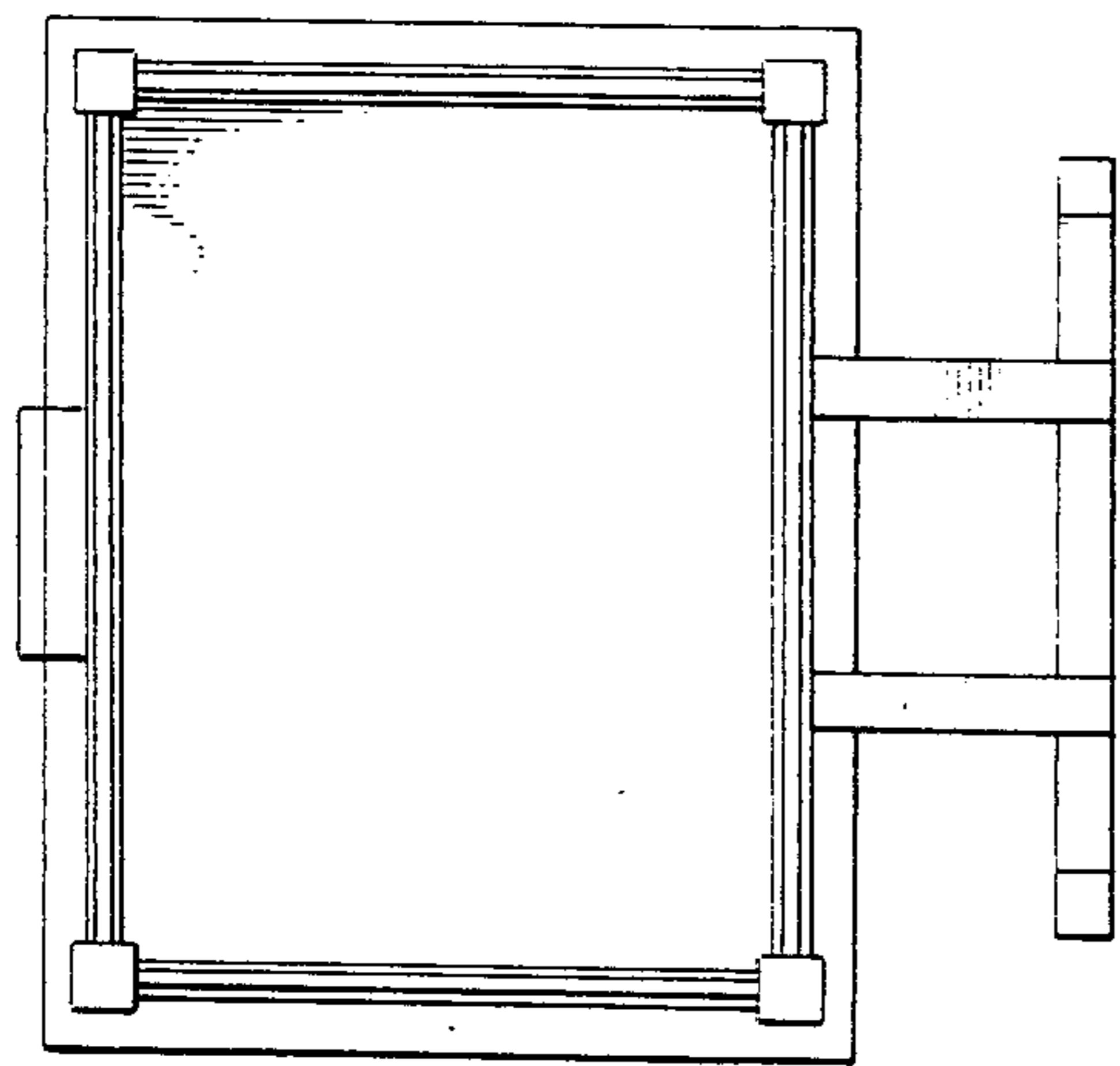


Fig. 6