

[54] **TABLE**
[75] **Inventor: Lynn R. Crawford, Martinsville, Va.**
[73] **Assignee: Dominion Industries, Inc.,
Collinsville, Va.**
[**] **Term: 14 Years**
[21] **Appl. No.: 458,805**
[22] **Filed: Jan. 18, 1983**
[52] **U.S. Cl. D6/452**
[58] **Field of Search D6/151-154,
D6/32, 36, 74**

D. 272,489 2/1984 Satterfield D6/351

Primary Examiner—Bruce W. Dunkins
Attorney, Agent, or Firm—Beveridge, Degrandi &
Weilacher

[57] **CLAIM**

The ornamental design for a table, as shown and described.

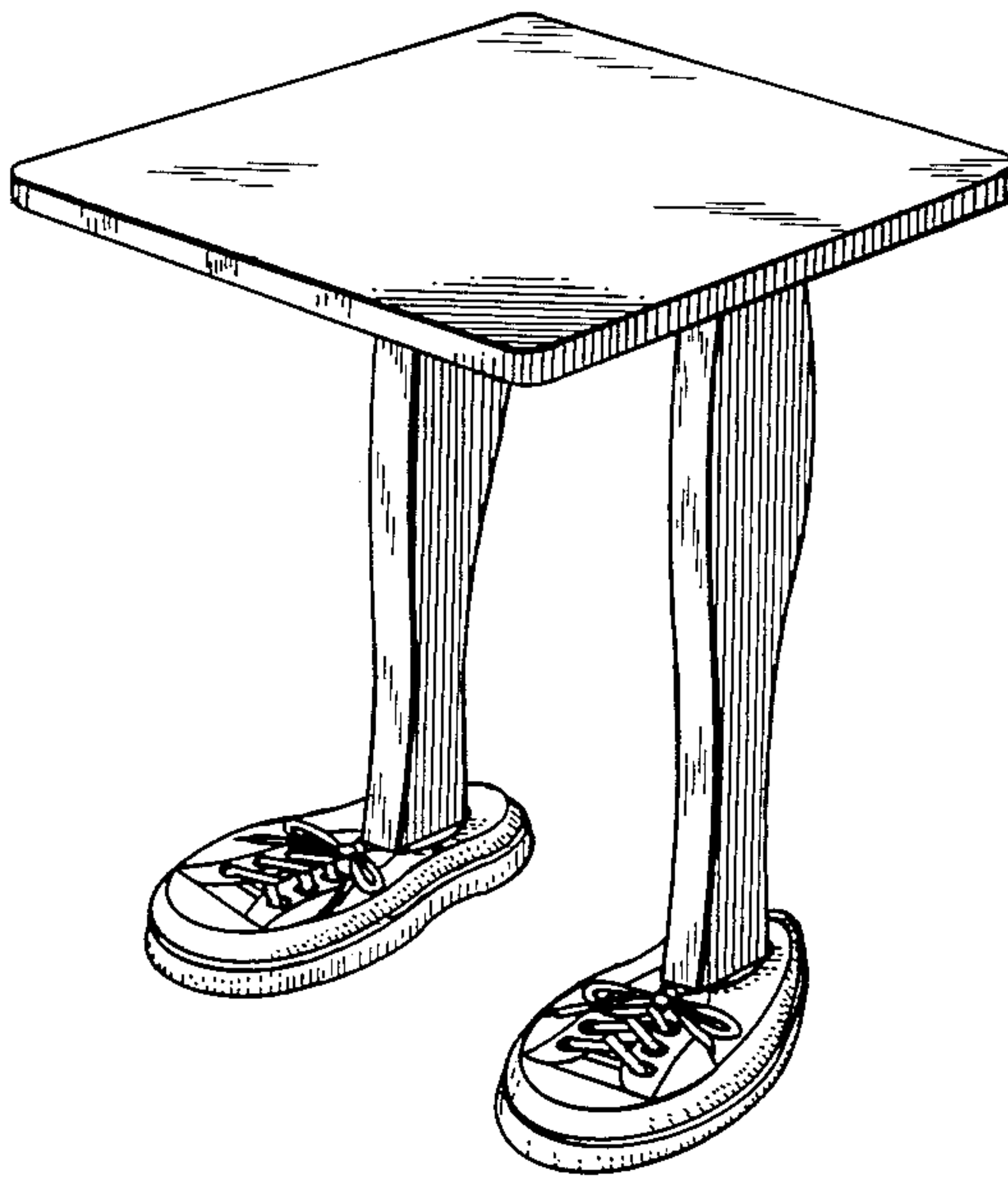
DESCRIPTION

FIG. 1 is a perspective view of a table showing my new design;
FIG. 2 is a front elevational view thereof;
FIG. 3 is a rear elevational view thereof;
FIG. 4 is a side elevational view thereof, the opposite side being substantially the same in appearance; and
FIG. 5 is a bottom plan view thereof.
Stippling is used in the drawings for configuration clarity only.

[56] **References Cited**

U.S. PATENT DOCUMENTS

D. 248,430 7/1978 Bussey et al. D6/351
D. 259,903 7/1981 Sidewater D6/351



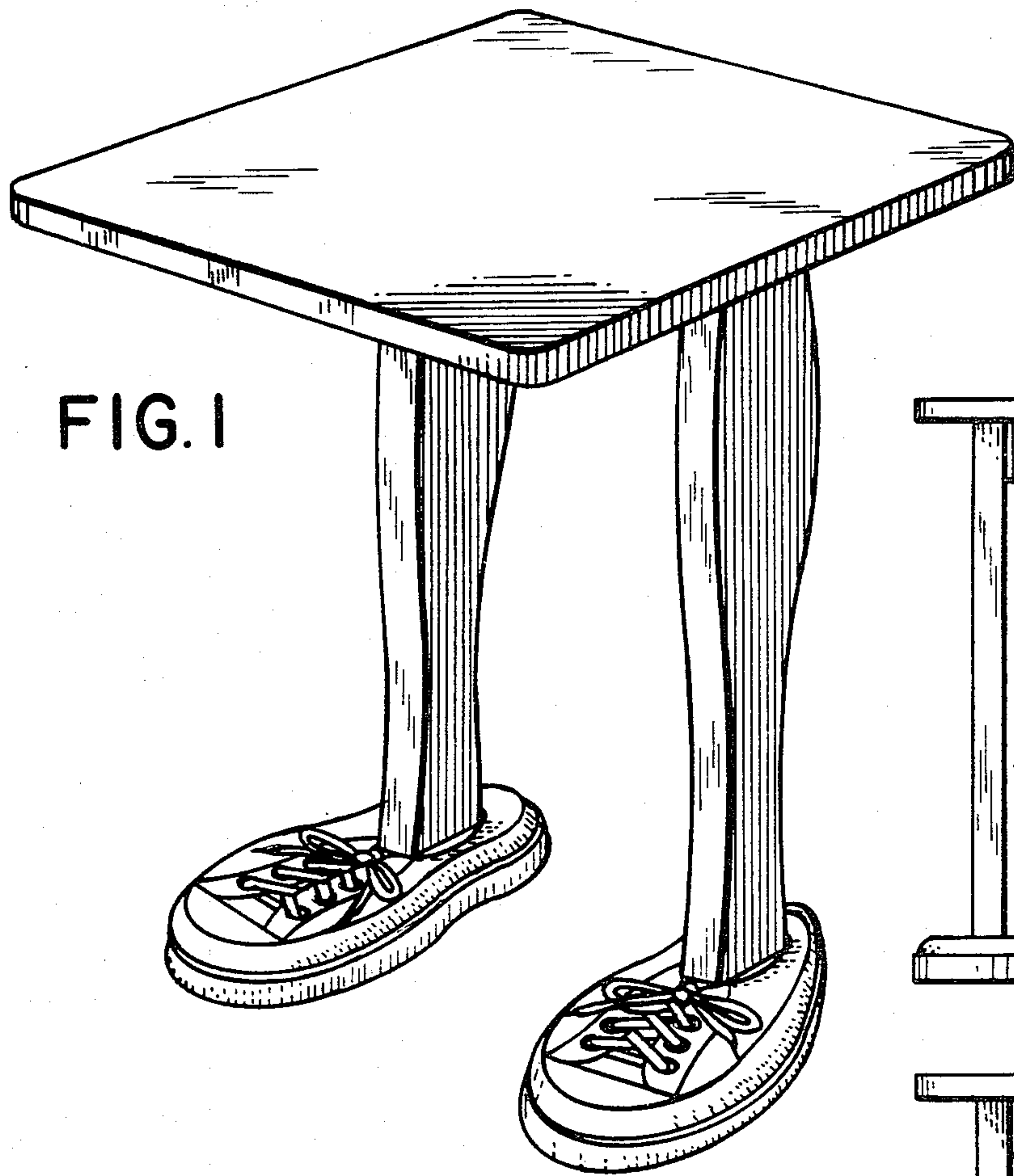


FIG. 1

FIG. 2

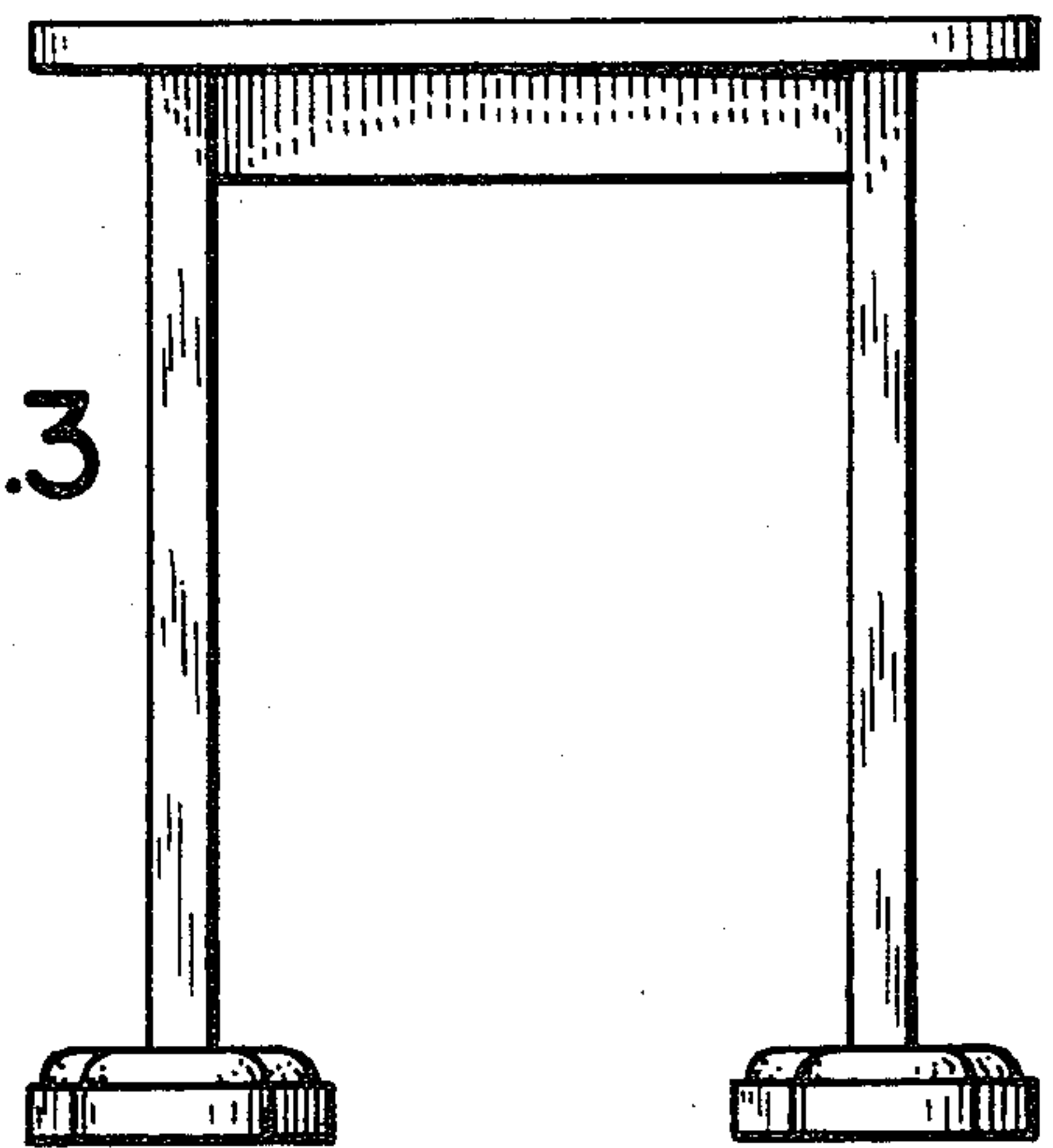
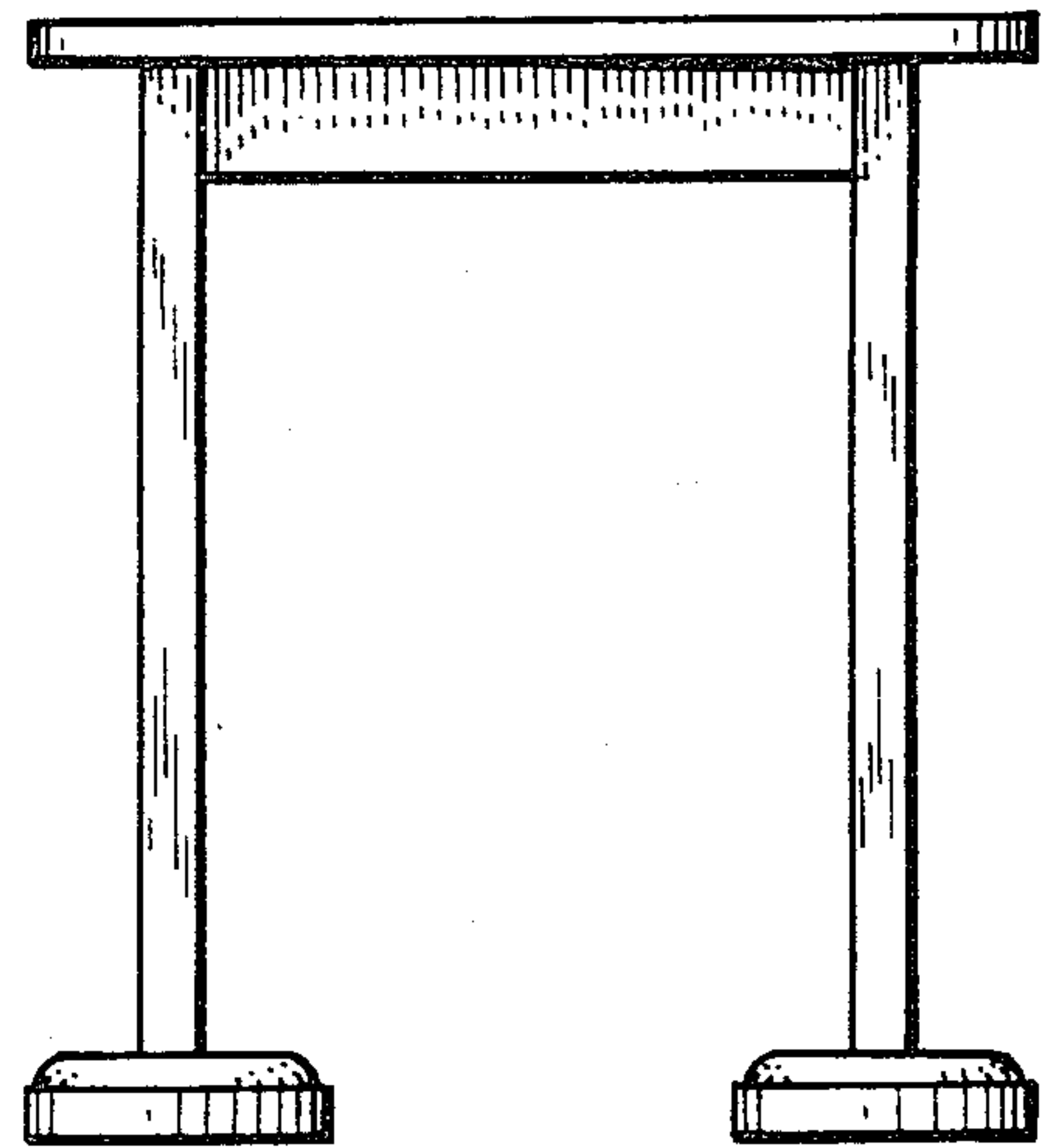


FIG. 3

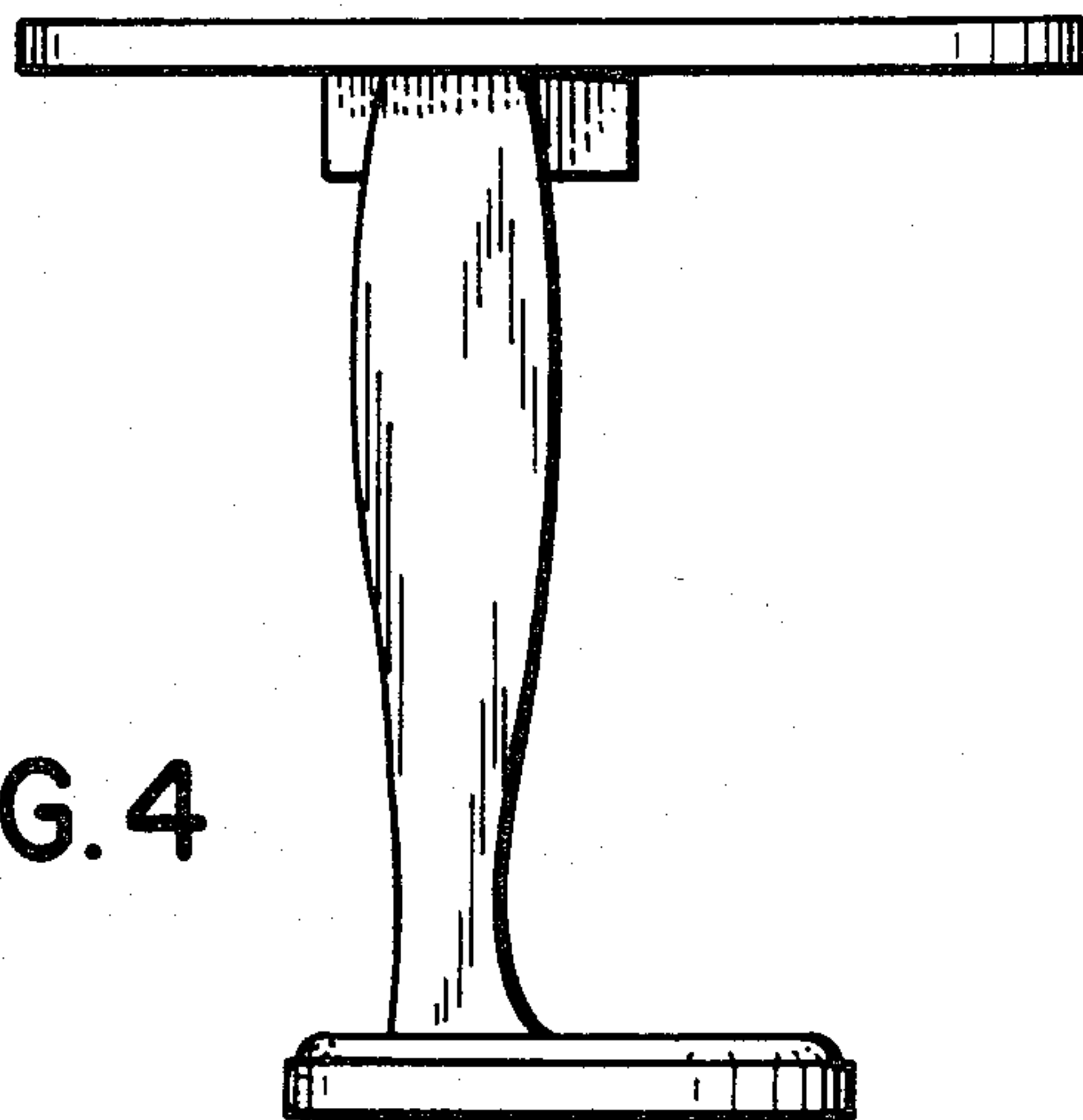


FIG. 4

FIG. 5

