

[54] WINCH

[76] Inventors: Bengt-Göran Andersson, Valter Sjölin, vä 3; Gert Liljenborg, Valter Sjölin, väg 19, both of S-260 50 Billesholm, Sweden

[**] Term: 14 Years

[21] Appl. No.: 414,177

[22] Filed: Sep. 1, 1982

[30] Foreign Application Priority Data

Mar. 5, 1982 [SE] Sweden 82-0520

[52] U.S. Cl. D34/33

[58] Field of Search D34/33, 32, 34, 35, D34/28; 242/158.3, 7.15; 254/362

[56] References Cited

U.S. PATENT DOCUMENTS

D. 152,067	12/1948	Curtis	D34/33
1,875,467	9/1932	Knoerzer et al.	242/158.3
2,759,703	8/1956	Holmes	D34/33
3,309,066	3/1967	Carlson	242/158.3

Primary Examiner—James M. Gandy
Assistant Examiner—Kay H. Chin
Attorney, Agent, or Firm—Beveridge, DeGrandi and Kline

[57] CLAIM

The ornamental design for a winch, as shown and described.

DESCRIPTION

FIG. 1 is a perspective view of a winch showing our new design;

FIG. 2 is a perspective view from the opposite side thereof; and

FIG. 3 is a bottom perspective view thereof.

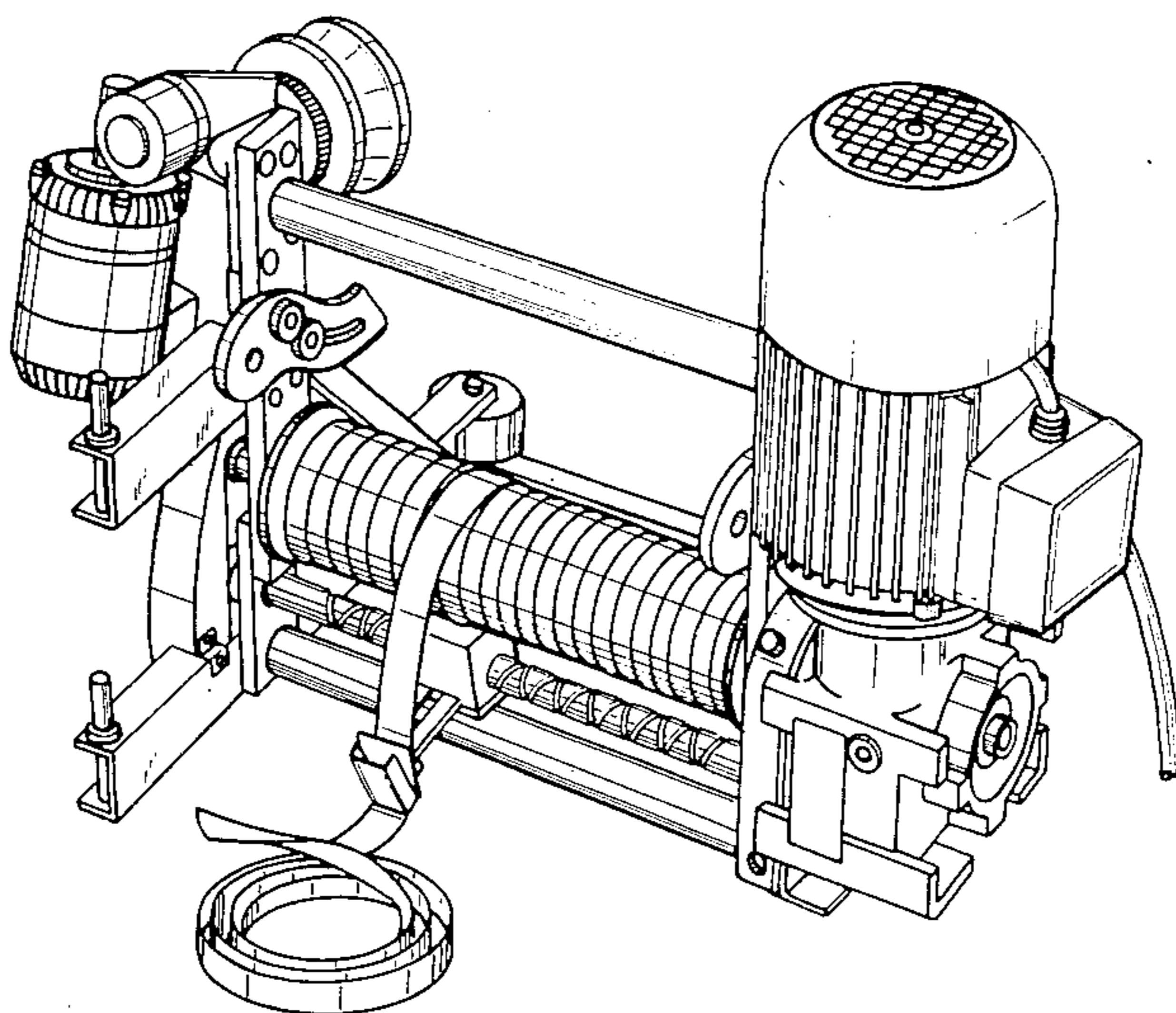


Fig. 1

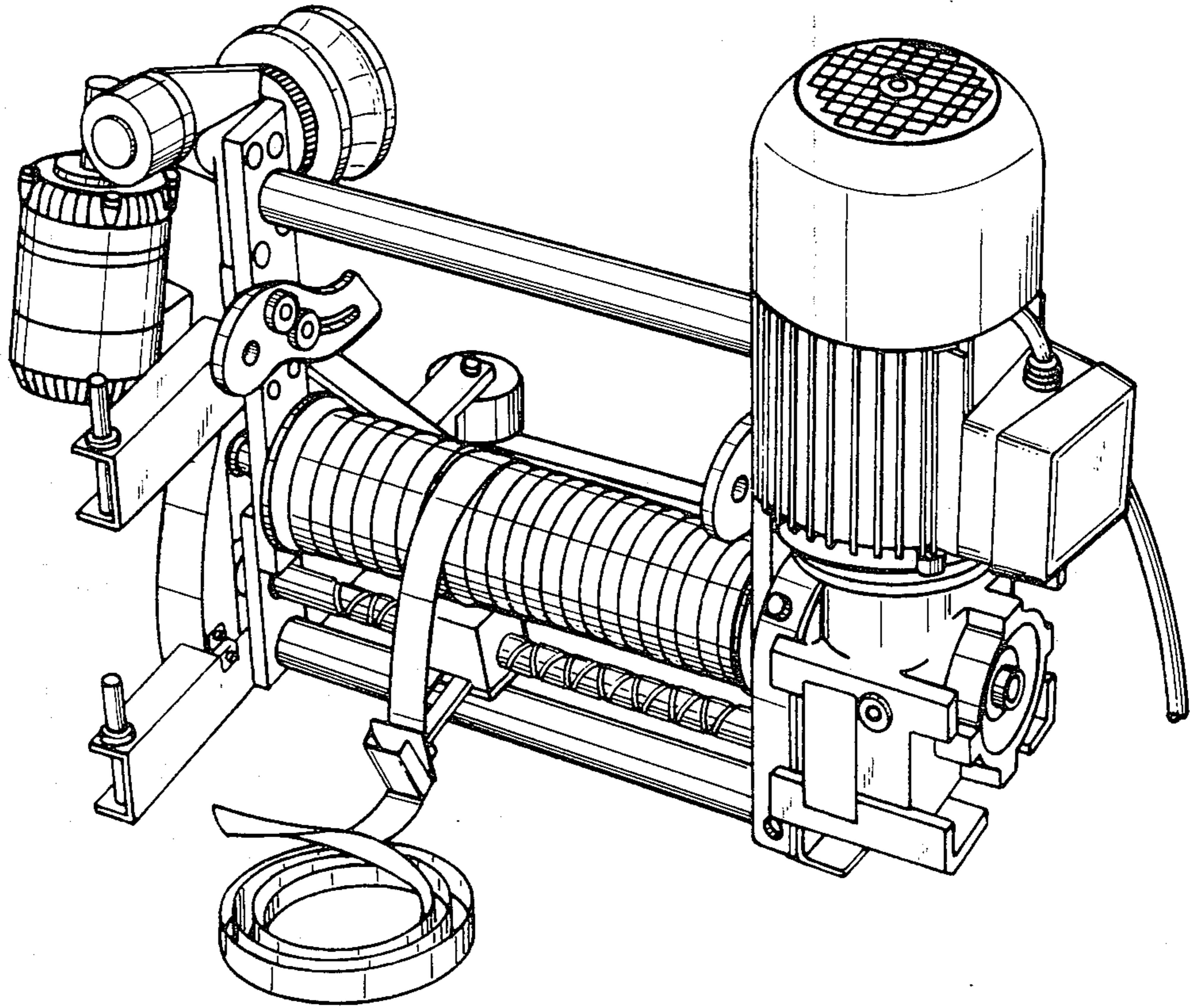
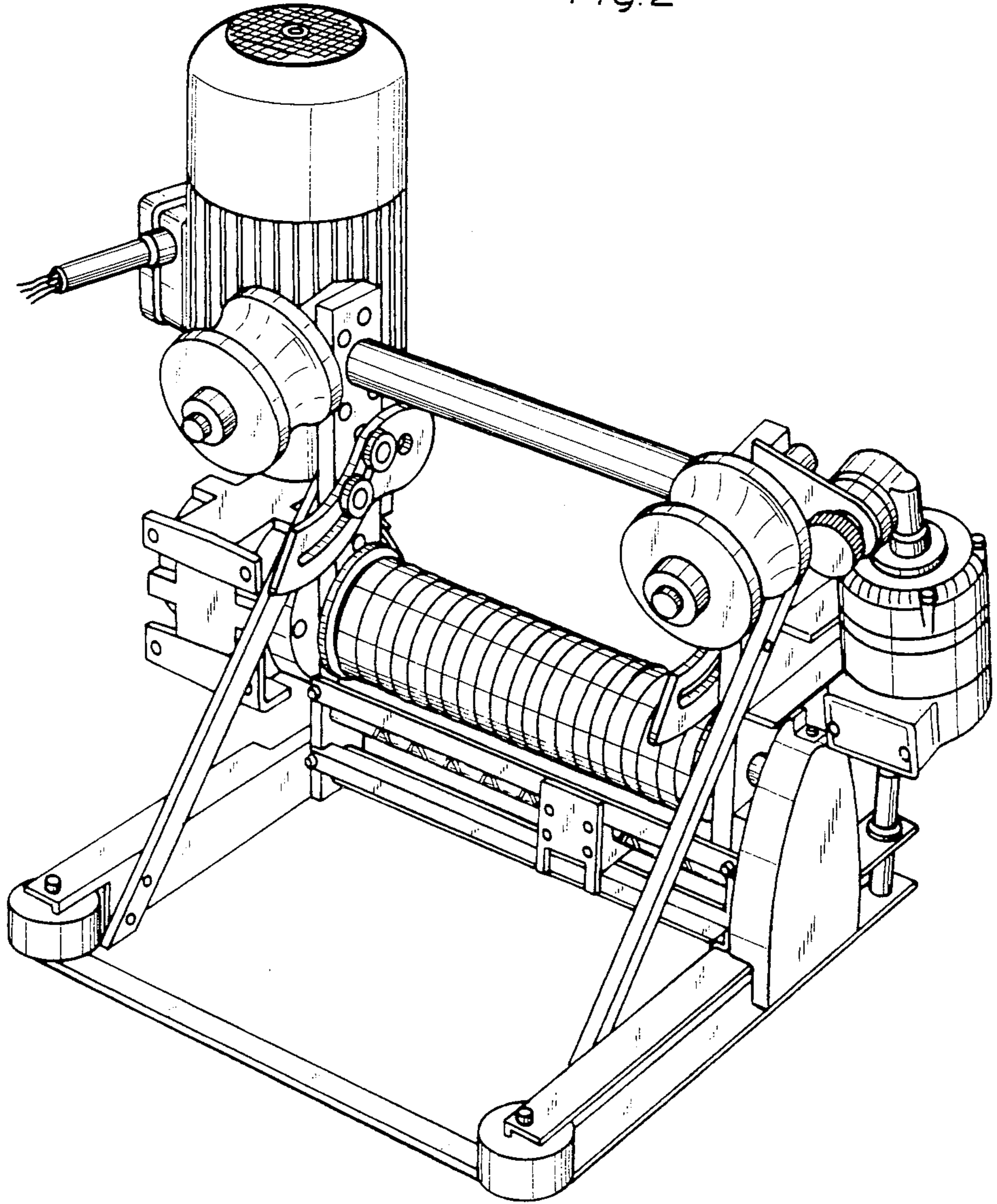


Fig. 2



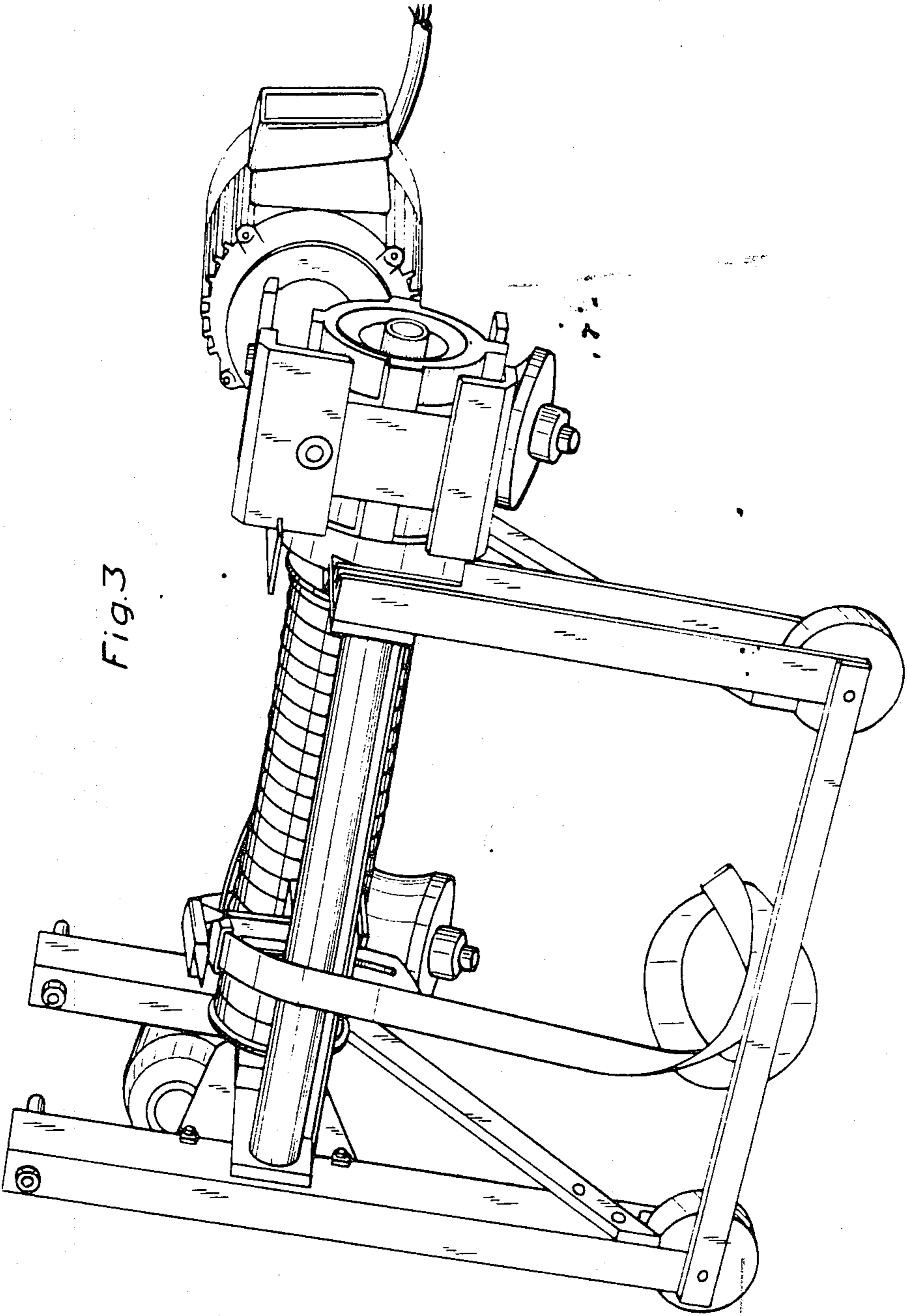


Fig. 3