

[54] MARINE RAILWAY STAND

[76] Inventor: John H. Honour, VII, 3560 Ivy Pl.,
Wayzata, Minn. 55391

[**] Term: 14 Years

[21] Appl. No.: 419,044

[22] Filed: Sep. 16, 1982

[52] U.S. Cl. D34/31

[58] Field of Search 248/352, 407, 161, 351,
248/354 P, 188.5, 188.8, 188.91; 104/126, 125;
D34/31

[56] References Cited

U.S. PATENT DOCUMENTS

- D. 262,278 12/1981 Van Santen D34/31
D. 269,473 6/1983 Jönsson D34/31
3,355,136 11/1967 Staples 248/352

FOREIGN PATENT DOCUMENTS

- 691861 4/1938 Fed. Rep. of Germany 248/352
1156837 5/1958 France 248/354.6

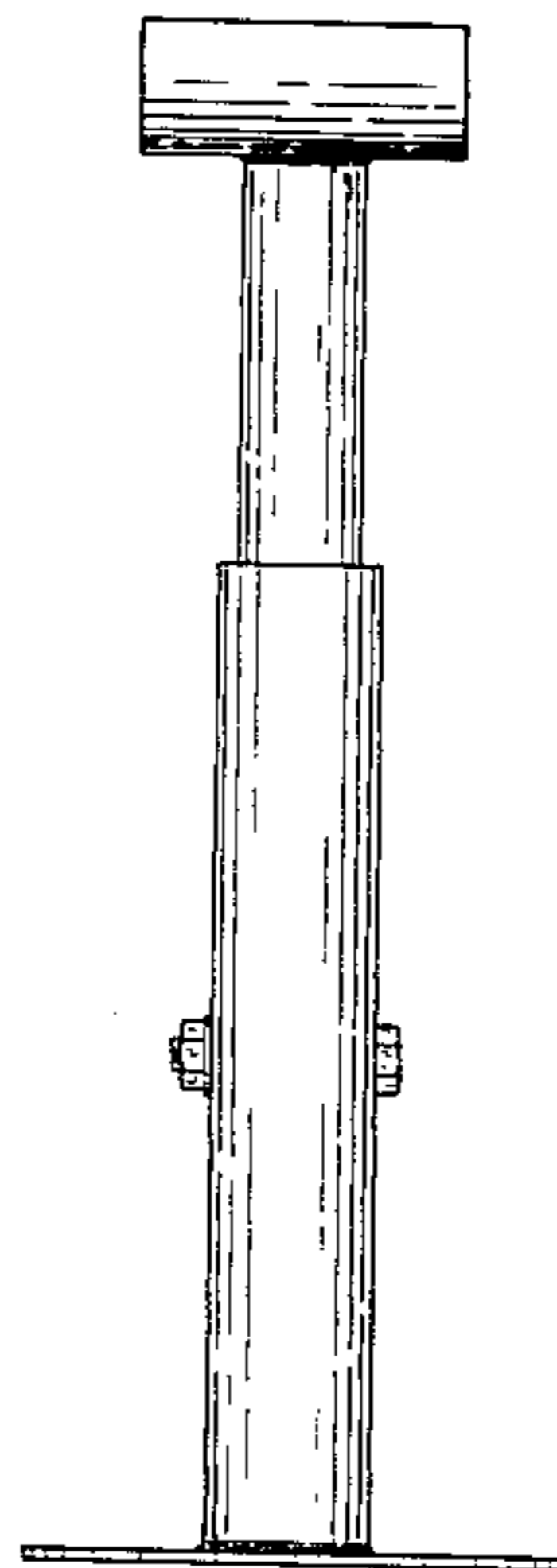
Primary Examiner—James M. Gandy
Assistant Examiner—Kay H. Chin
Attorney, Agent, or Firm—Hugh D. Jaeger

[57] CLAIM

The ornamental design for a marine railway stand, as shown.

DESCRIPTION

FIG. 1 is a front elevation view of a marine railway stand, the rear view being a mirror image of that shown; FIG. 2 is a side elevation view thereof, the opposite side being a mirror image of that shown; FIG. 3 is a bottom plan view thereof; FIG. 4 is a top plan view thereof.



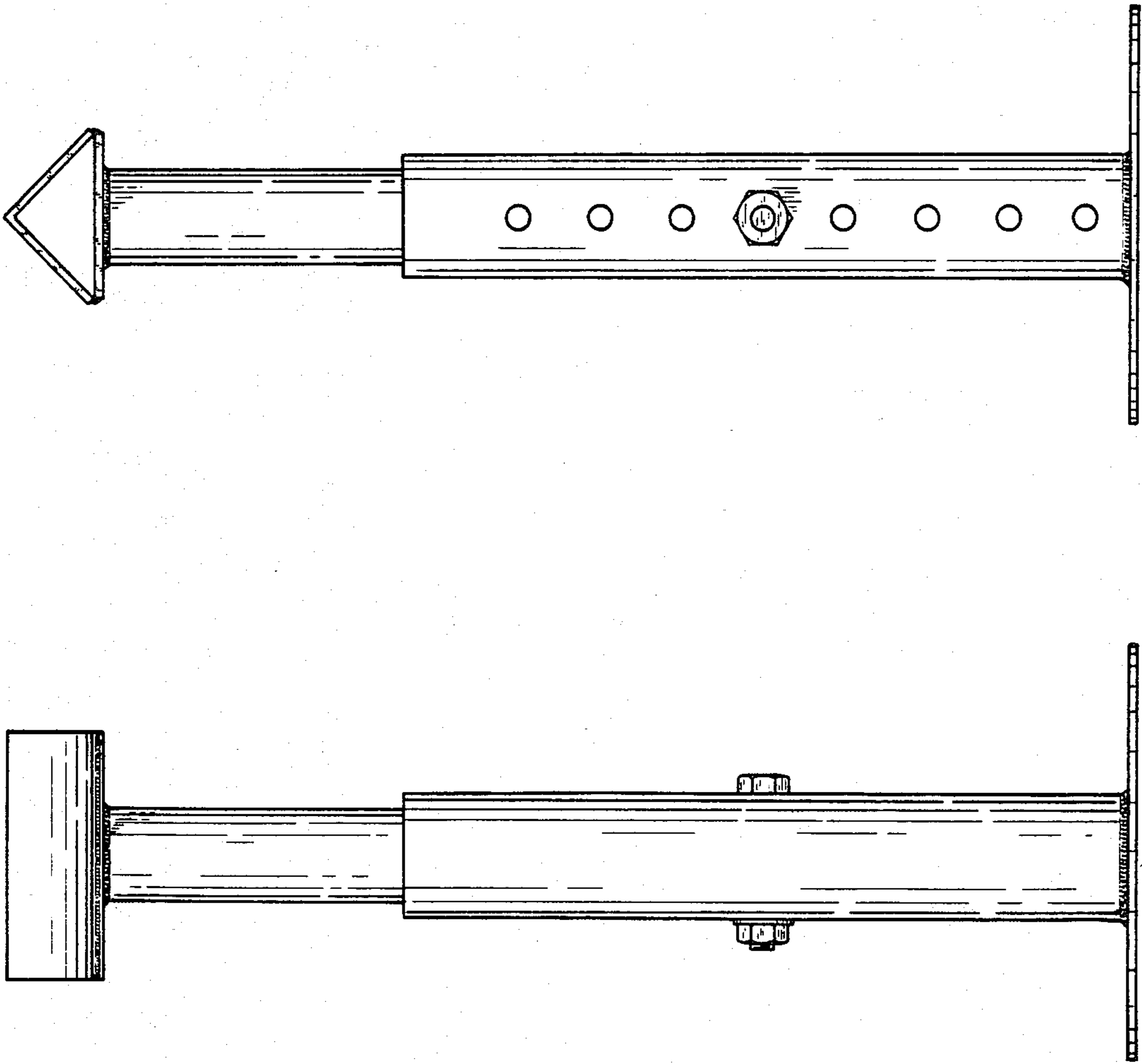


FIG. 1

FIG. 2

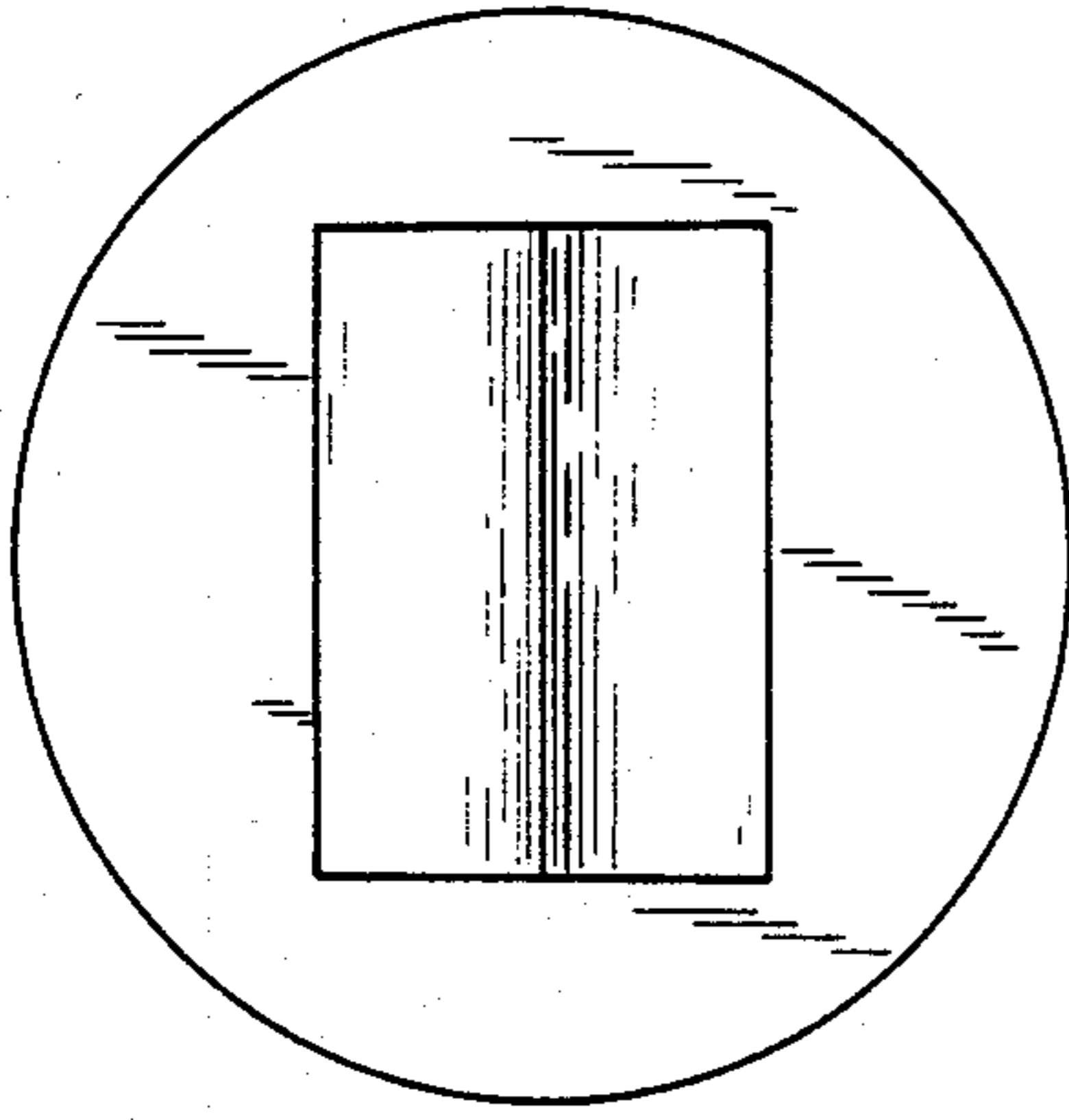


FIG. 3

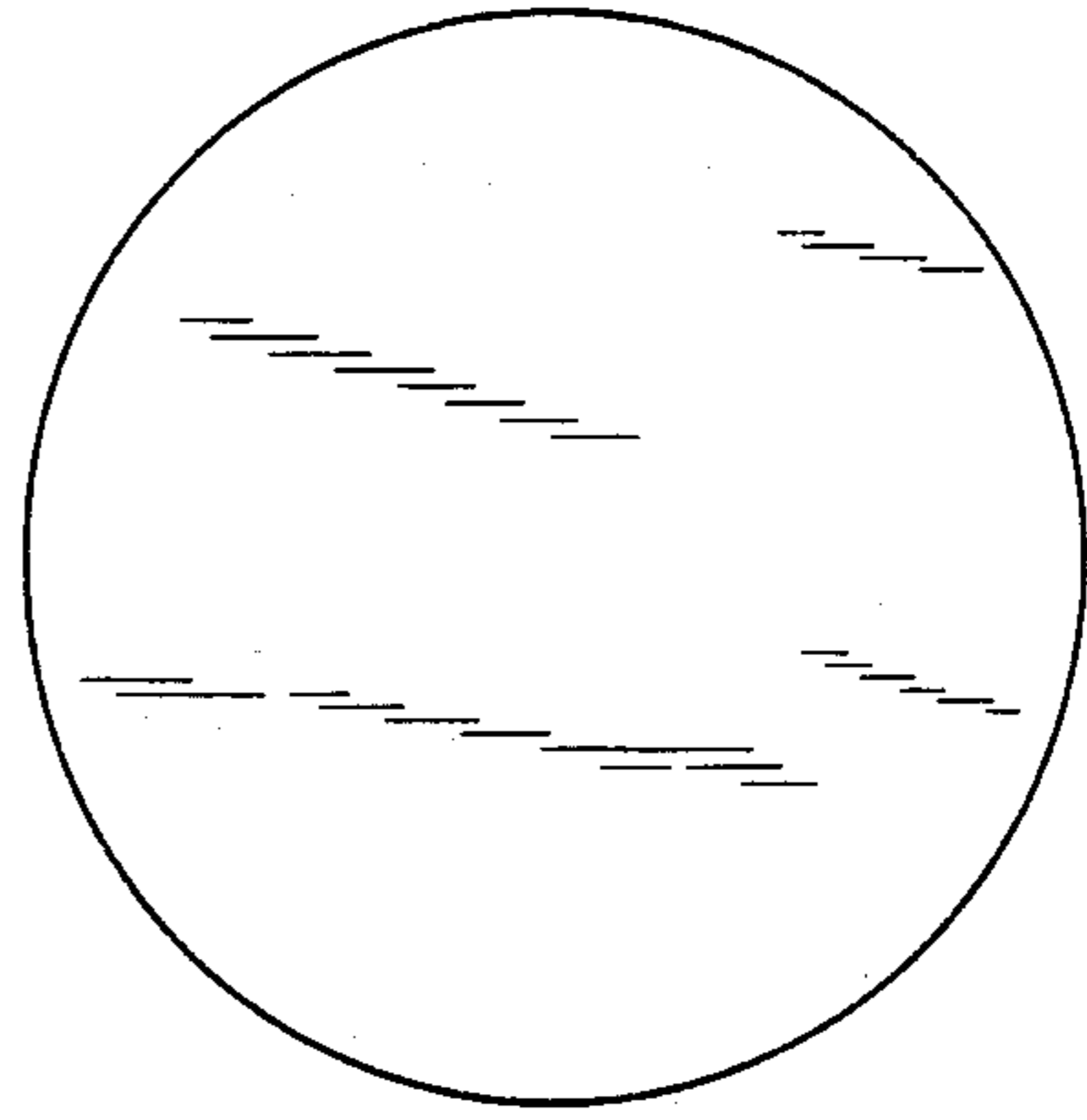


FIG. 4