

[54] **IRON OR SIMILAR ARTICLE**

[75] Inventors: **John C. Shalvoy**, Fairfield, Conn.;
Gary E. Van Deursen, Upper Saddle
River, N.J.

[73] Assignee: **Black & Decker, Inc.**, Newark, Del.

[**] Term: **14 Years**

[21] Appl. No.: **465,200**

[22] Filed: **Jul. 11, 1983**

[52] U.S. Cl. **D32/70**

[58] Field of Search **D32/68-72;**
38/74-79, 88-93

[56] **References Cited**

U.S. PATENT DOCUMENTS

D. 216,153	11/1969	Tsunoda	D32/70
D. 240,997	8/1976	Julkenbeck	D32/70
3,184,871	5/1965	D'Alessandro	38/77.8
3,229,392	1/1966	Canilleri	38/90
3,672,080	6/1972	Murphy et al.	38/90
3,766,673	10/1973	Hanoff	38/90

FOREIGN PATENT DOCUMENTS

2083082 3/1982 United Kingdom 38/77.2

OTHER PUBLICATIONS

Sanyo Portable Iron Brochure-Dated 7/1981.

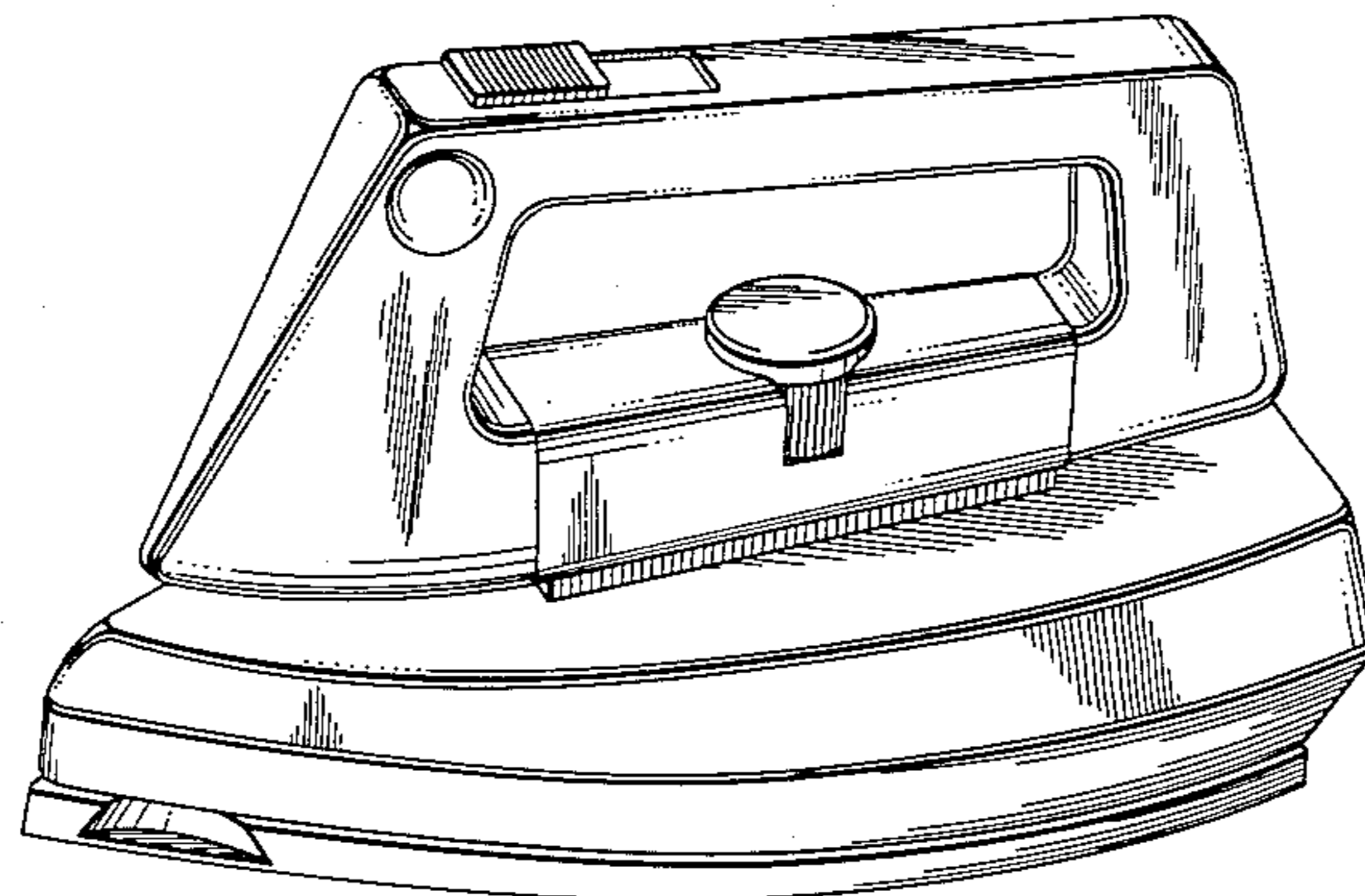
Primary Examiner—Catherine E. Kemper
Attorney, Agent, or Firm—Leonard J. Platt

[57] **CLAIM**

The ornamental design for an iron or similar article, as shown and described.

DESCRIPTION

FIG. 1 is a perspective view of an iron or similar article showing my new design;
FIG. 2 is a left side elevational view thereof;
FIG. 3 is a top plan view thereof;
FIG. 4 is a front elevational view thereof;
FIG. 5 is a rear elevational view thereof;
FIG. 6 is a perspective view like FIG. 1 showing the iron in a folded position; and
FIG. 7 is a left side elevational view like FIG. 2 showing the iron in a folded position.



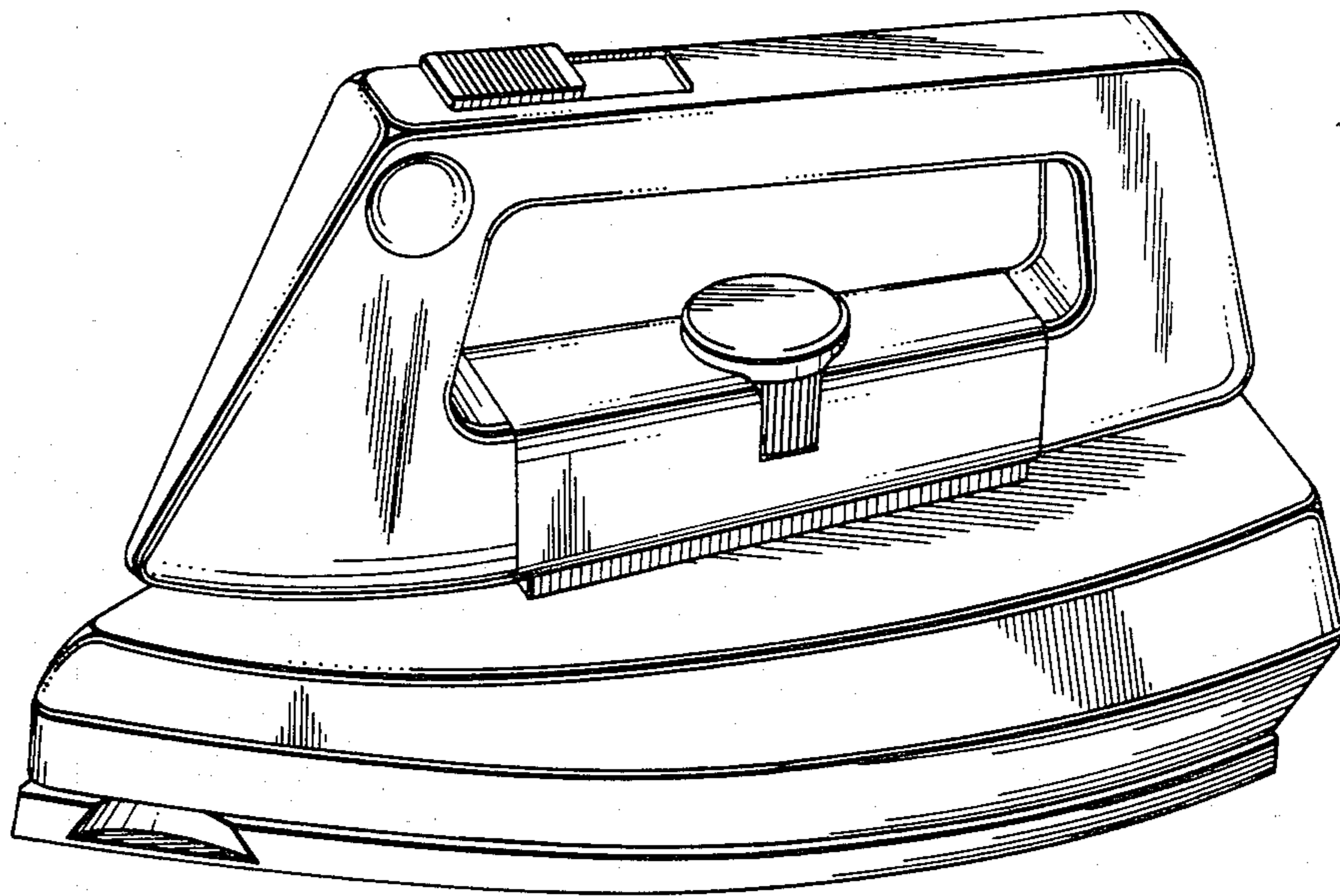


FIG. 1.

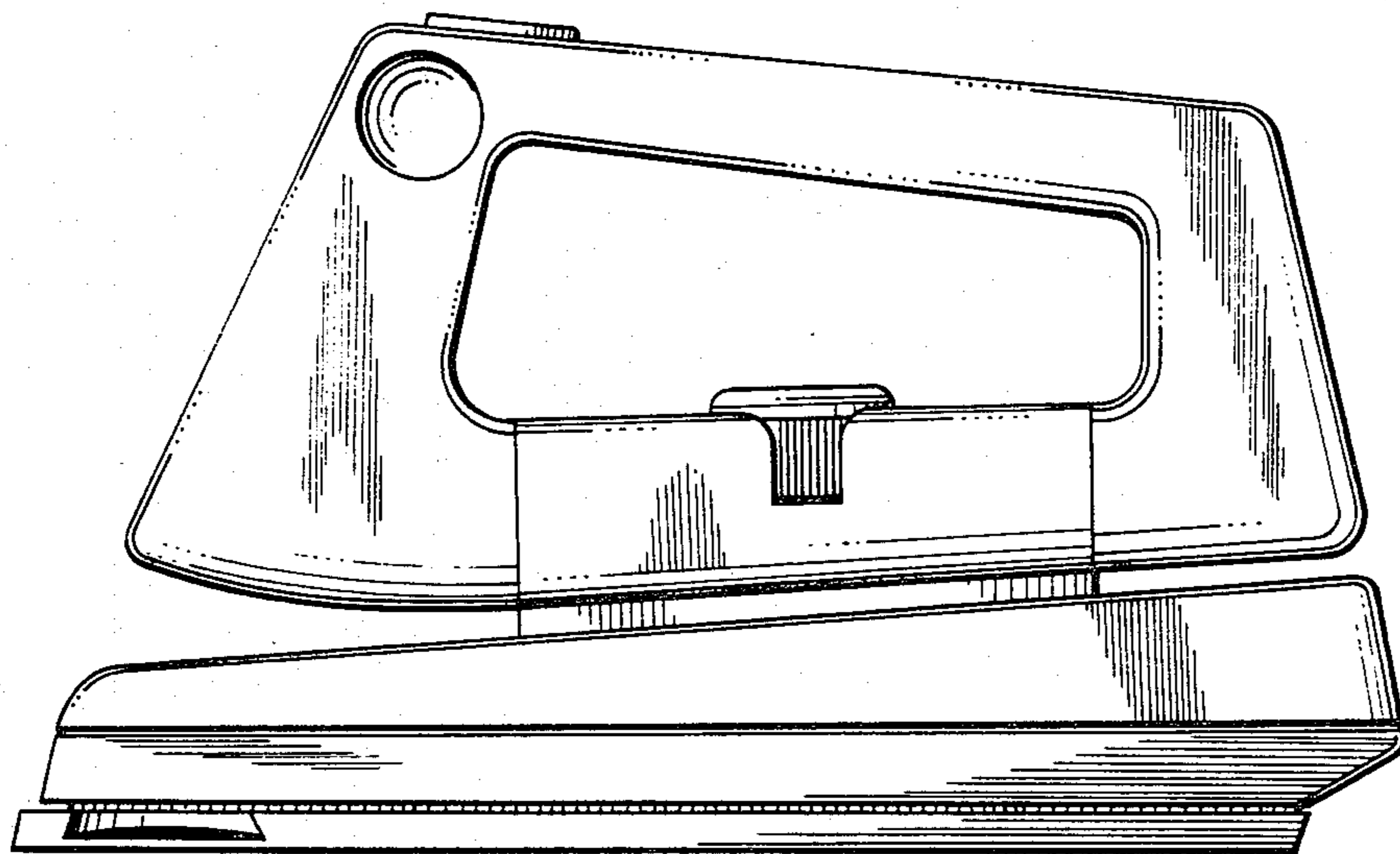


FIG. 2.

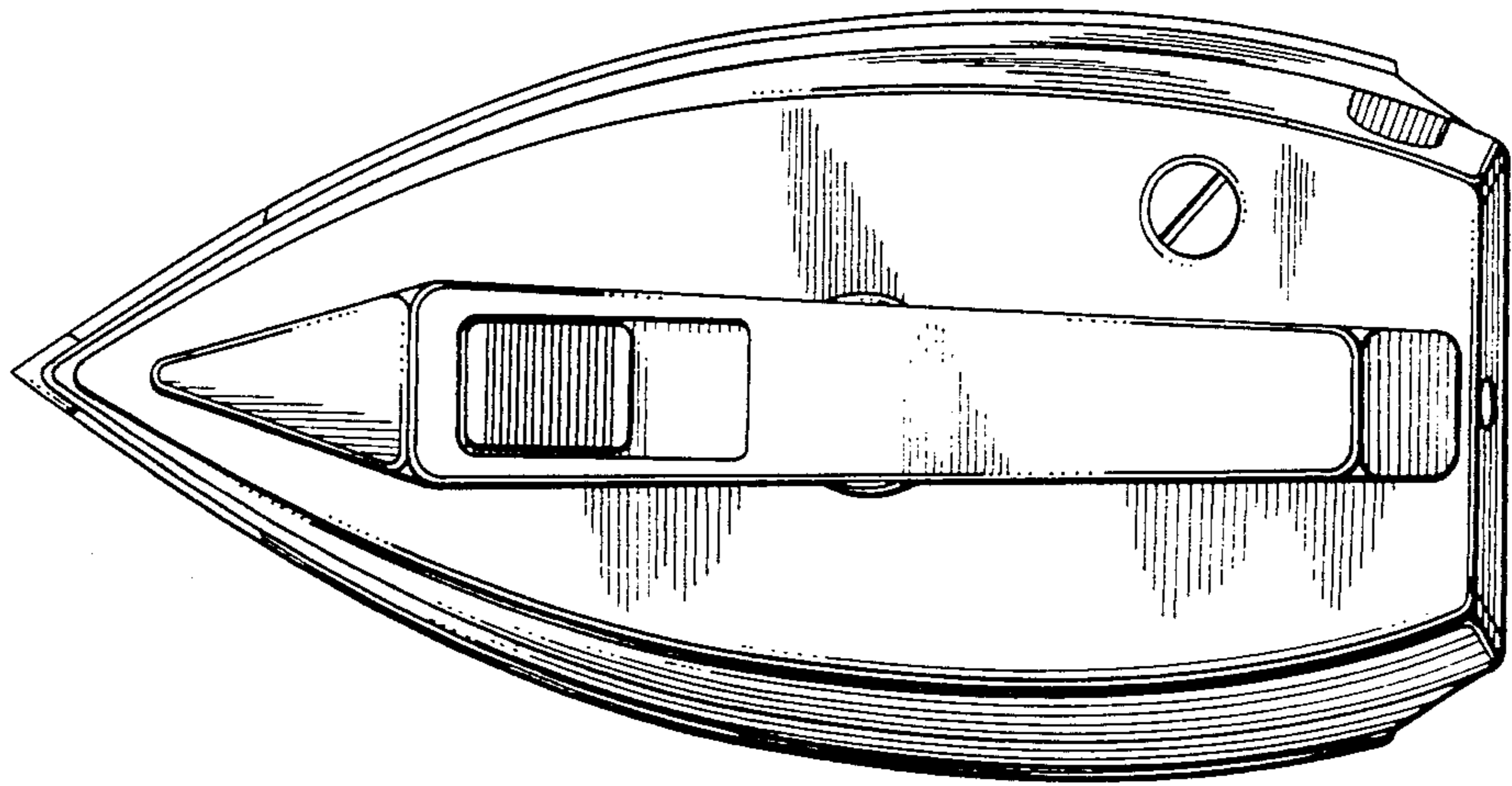


FIG. 3.

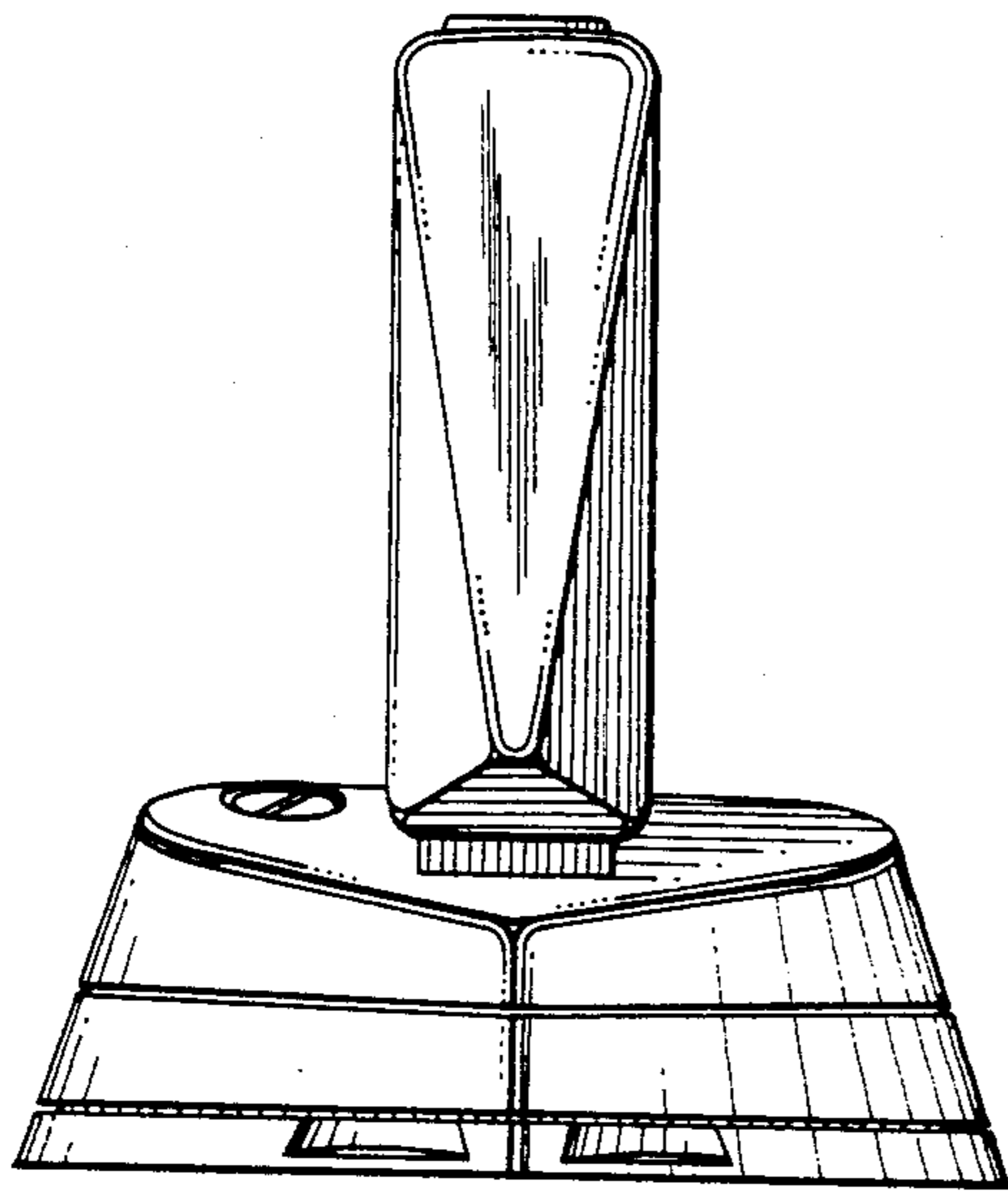


FIG. 4.

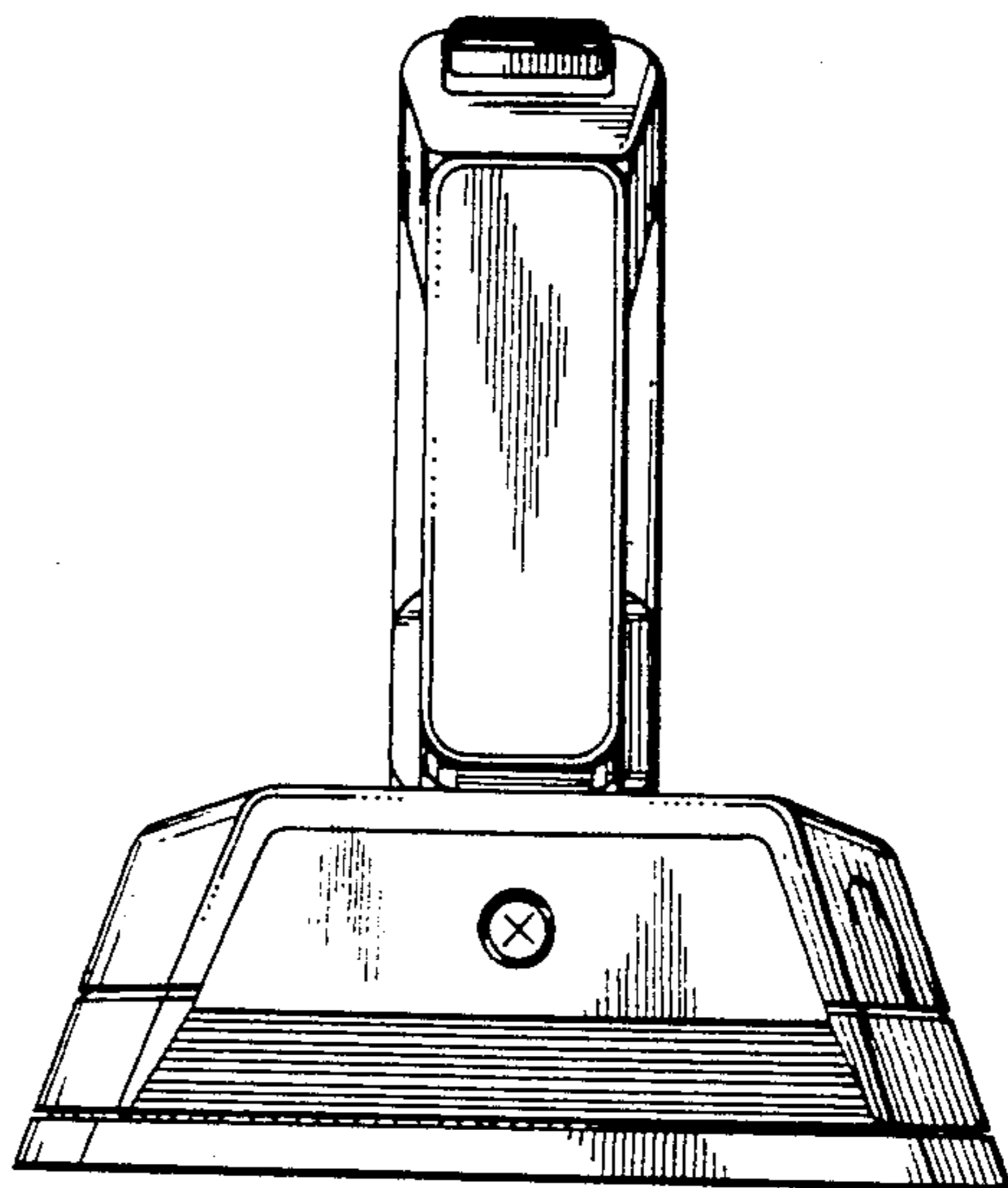


FIG. 5.

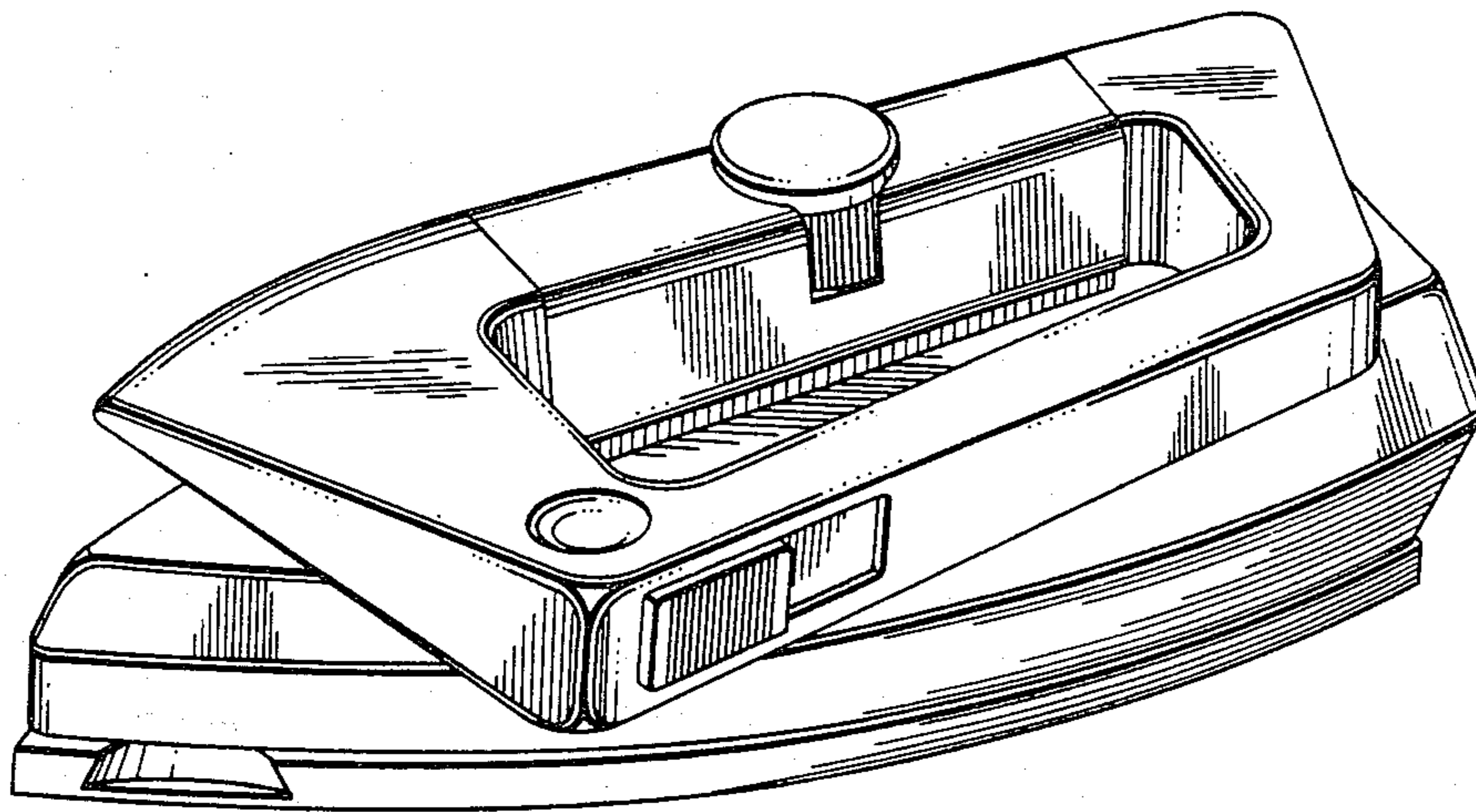


FIG. 6.

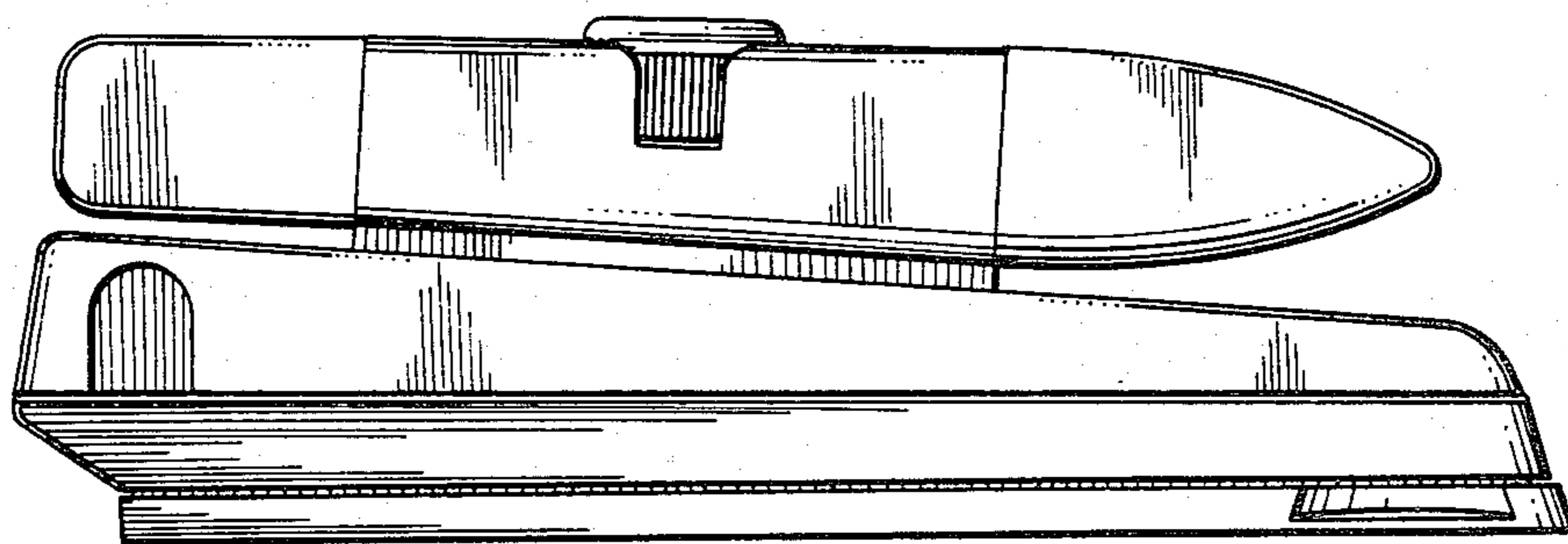


FIG. 7.