

[54] ASHTRAY

[76] Inventors: Antal M. Martinovics, 32 Jordan Rd., Chelmsford, Mass. 01863; Andrew G. Kohalmi, 11 Baron Park La., Apt. 2, Burlington, Mass. 01803

[\*\*] Term: 14 Years

[21] Appl. No.: 385,897

[22] Filed: Jun. 7, 1982

[52] U.S. Cl. .... D27/27

[58] Field of Search ..... D27/8-29; 131/231, 235, 236, 237, 238, 240, 241, 242, 256

[56] References Cited

U.S. PATENT DOCUMENTS

D. 57,276	3/1921	Schell	.....	D27/27
D. 215,777	10/1969	O'Connor	.....	D27/8
2,989,813	6/1961	Hess, Sr.	.....	131/235 R X
3,160,162	12/1964	Nunez	.....	131/236

3,952,753 4/1976 Klingler ..... 131/235 R

FOREIGN PATENT DOCUMENTS

511212 8/1939 United Kingdom ..... 131/240 R

Primary Examiner—Catherine Kemper  
Attorney, Agent, or Firm—Donald W. Meeker

[57] CLAIM

The ornamental design for an ashtray, as shown and described.

DESCRIPTION

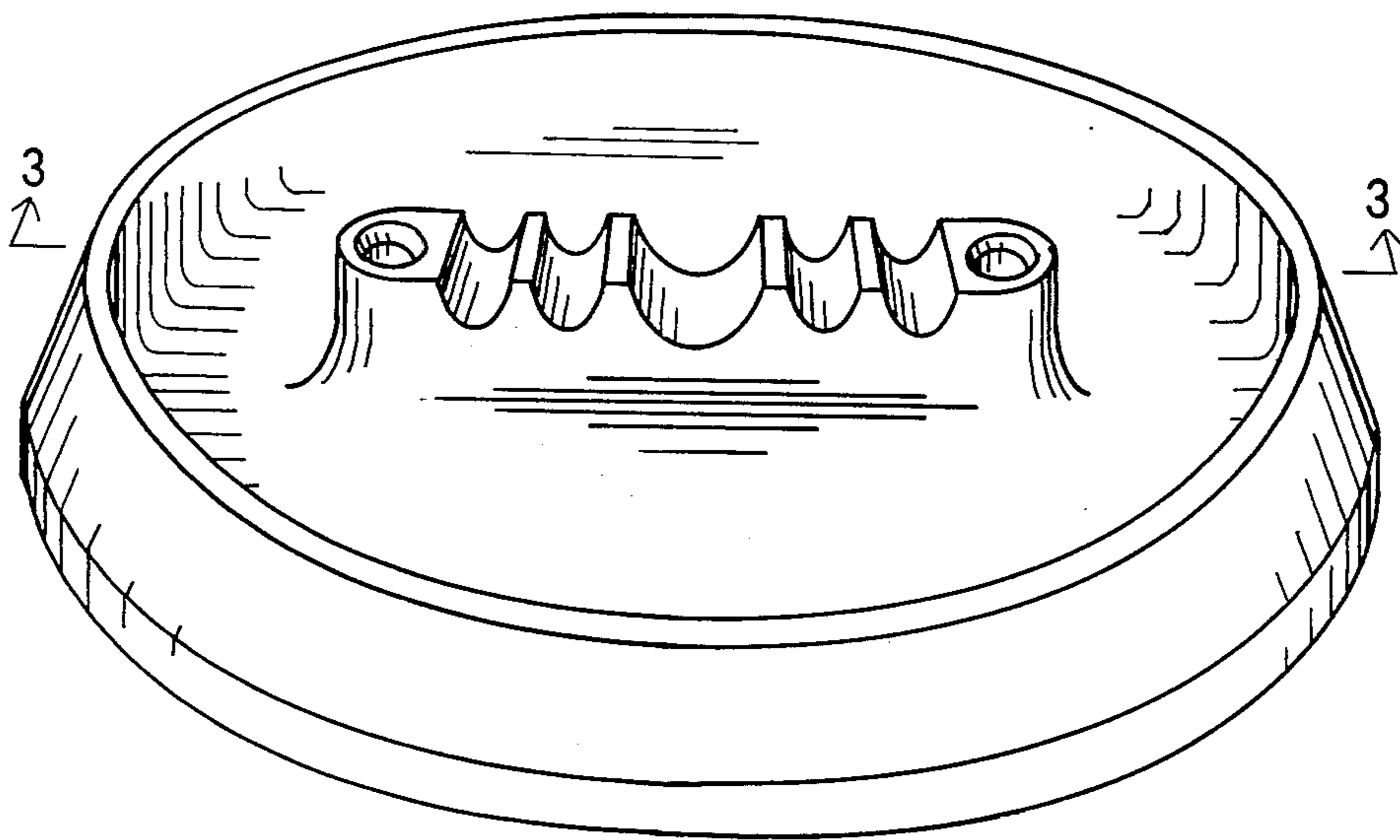
FIG. 1 is a perspective view of an ashtray showing our new design;

FIG. 2 is an elevational view thereof;

FIG. 3 is a sectional view thereof taken along line 3—3 of FIG. 1;

FIG. 4 is a top plan view thereof.

The broken line disclosure of the indicia of FIG. 2 is for illustrative purposes only and forms no part of the claimed design.



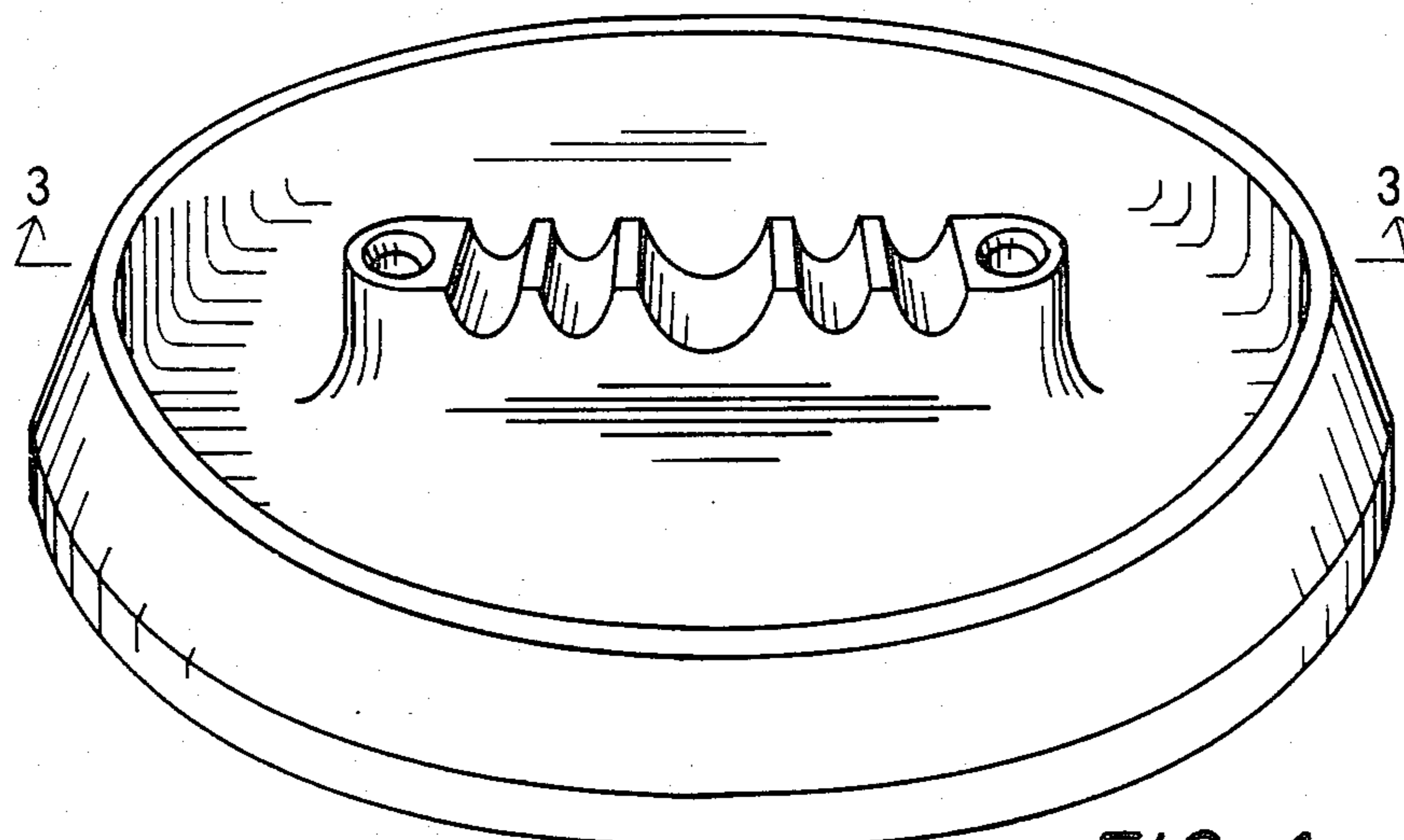


FIG. 1

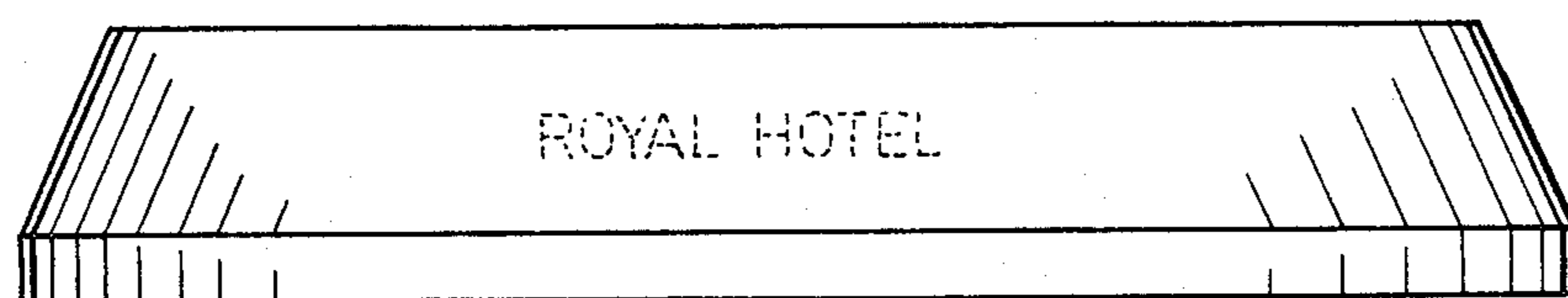


FIG. 2

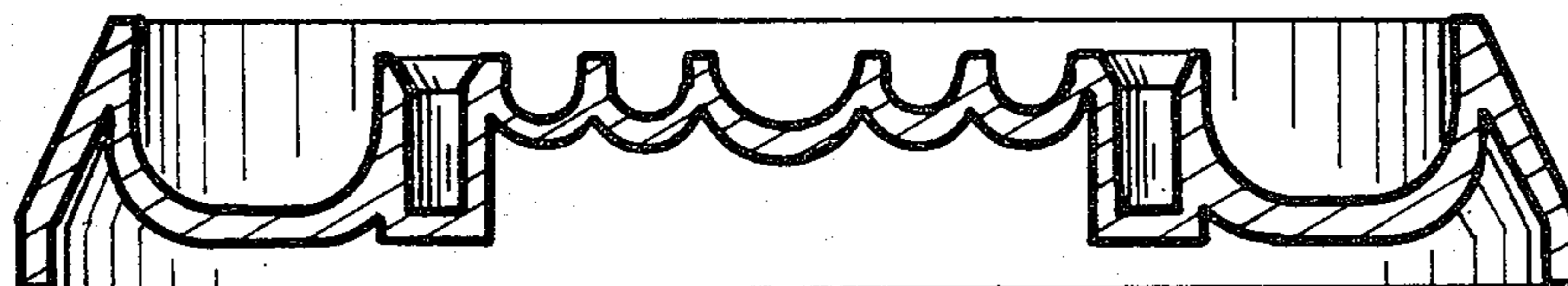


FIG. 3

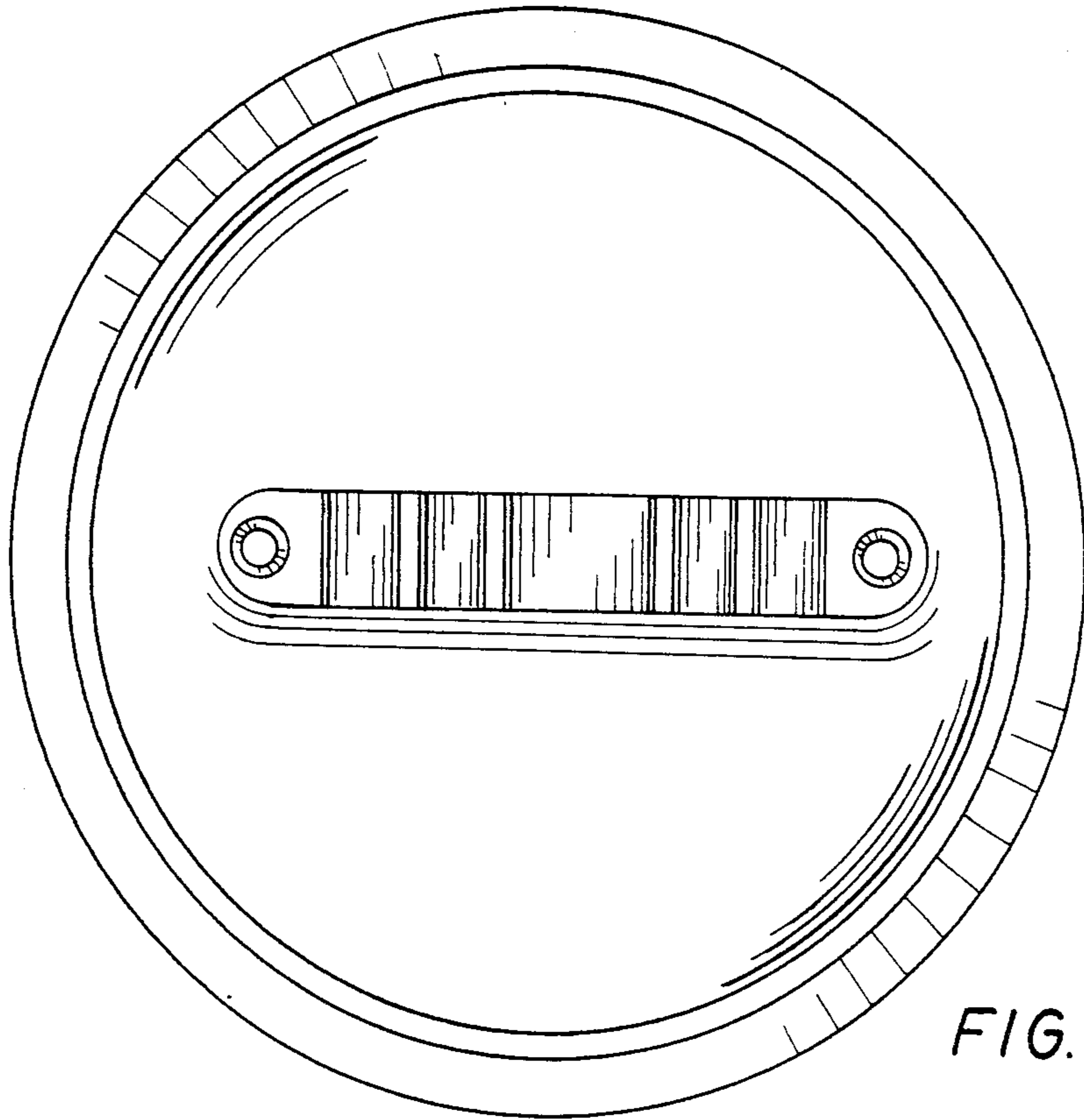


FIG. 4