

[54] DENTAL DIE LOCK

[75] Inventor: Clyde J. Miener, St. Louis, Mo.

[73] Assignee: Kirkwood Dental Crafts, Inc., St. Louis, Mo.

[**] Term: 14 Years

[21] Appl. No.: 418,797

[22] Filed: Sep. 16, 1982

[52] U.S. Cl. D24/10

[58] Field of Search D24/4, 5, 8, 10, 16; 433/34-49, 214, 68-71, 80, 89, 90; 213; 249/54

[56] References Cited

U.S. PATENT DOCUMENTS

D. 210,583	3/1968	Westlund	D24/10
D. 212,848	12/1968	Westlund et al.	D24/10
D. 247,916	5/1978	Kesling	D24/16
D. 257,387	10/1980	Skarky	D24/16 X
D. 266,269	9/1982	Werrin	D24/10
2,733,508	2/1956	Carter	433/49

2,758,374	8/1956	Fisher et al.	D24/10 X
2,786,272	3/1957	Lindley	433/37 X
3,234,942	2/1966	Simor	D24/10 X
3,436,827	4/1969	Dew	433/49 X
3,495,333	2/1970	Kuhn	433/34

OTHER PUBLICATIONS

Di-Lok Technique Flyer (Undated).

Primary Examiner—Catherine E. Kemper
Attorney, Agent, or Firm—Neal Kalishman

[57] CLAIM

The ornamental design for a dental die lock, as shown.

DESCRIPTION

FIG. 1 is a top plan view of a dental die lock, showing my new design;

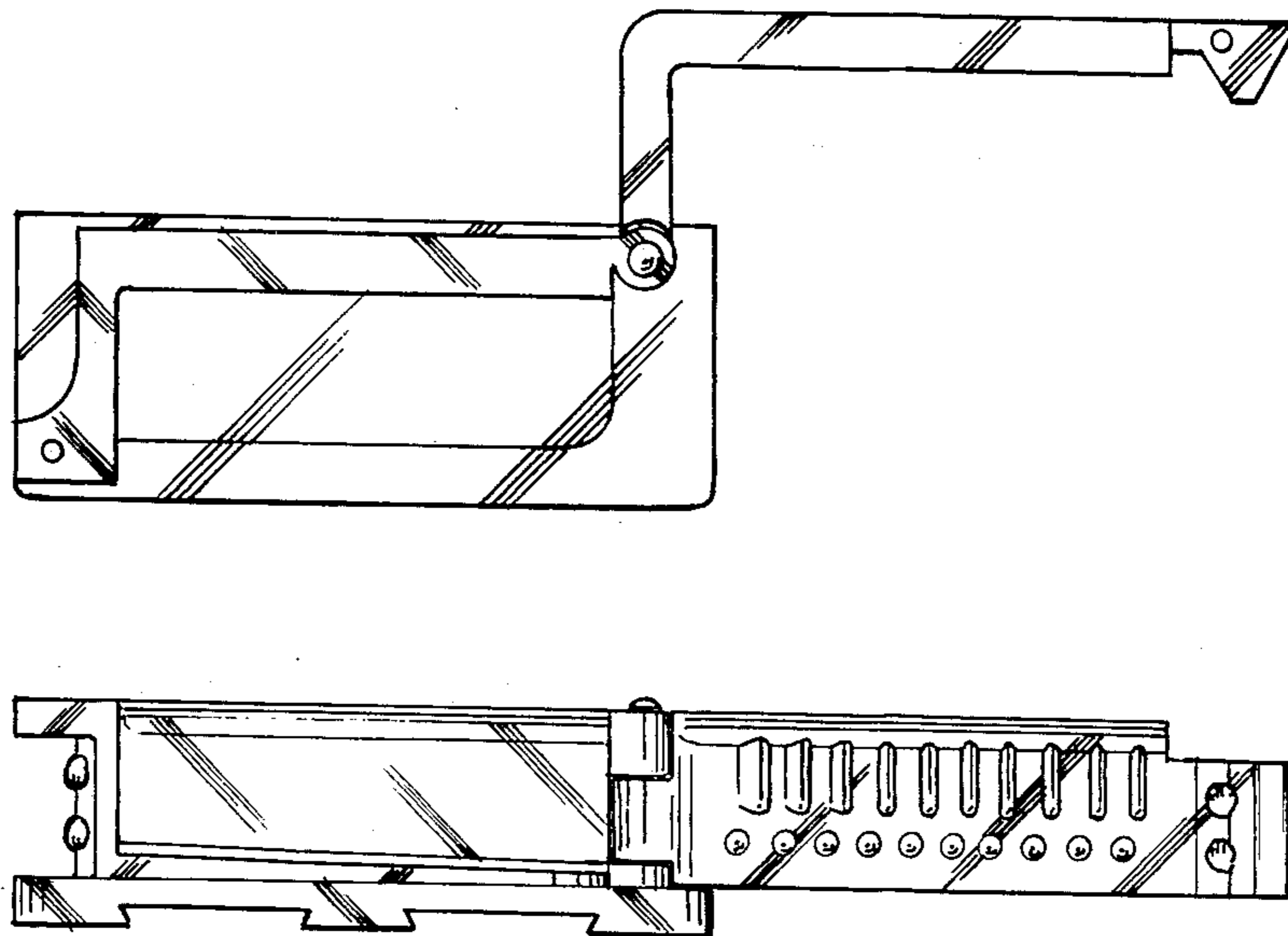
FIG. 2 is a front elevational view thereof;

FIG. 3 is a rear elevational view thereof;

FIG. 4 is a side elevational view thereof;

FIG. 5 is an elevational view of the opposite side thereof;

FIG. 6 is a bottom plan view thereof.



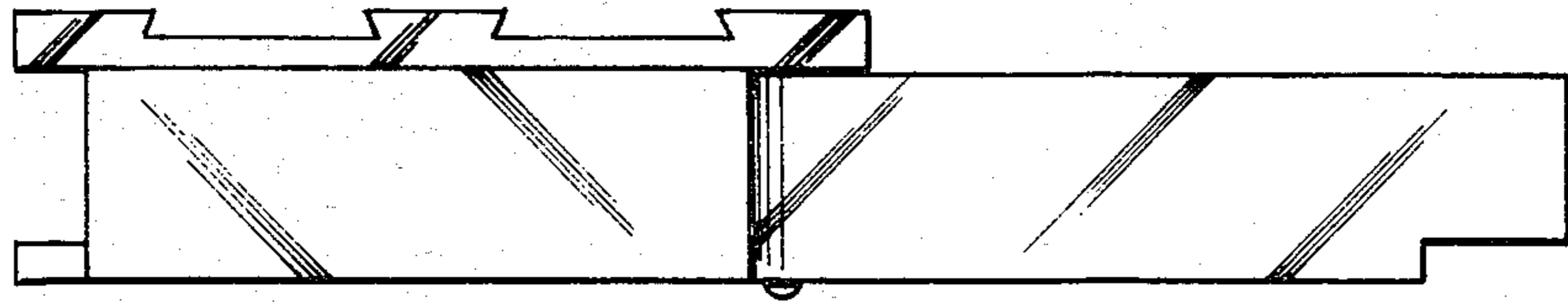


FIG. 3

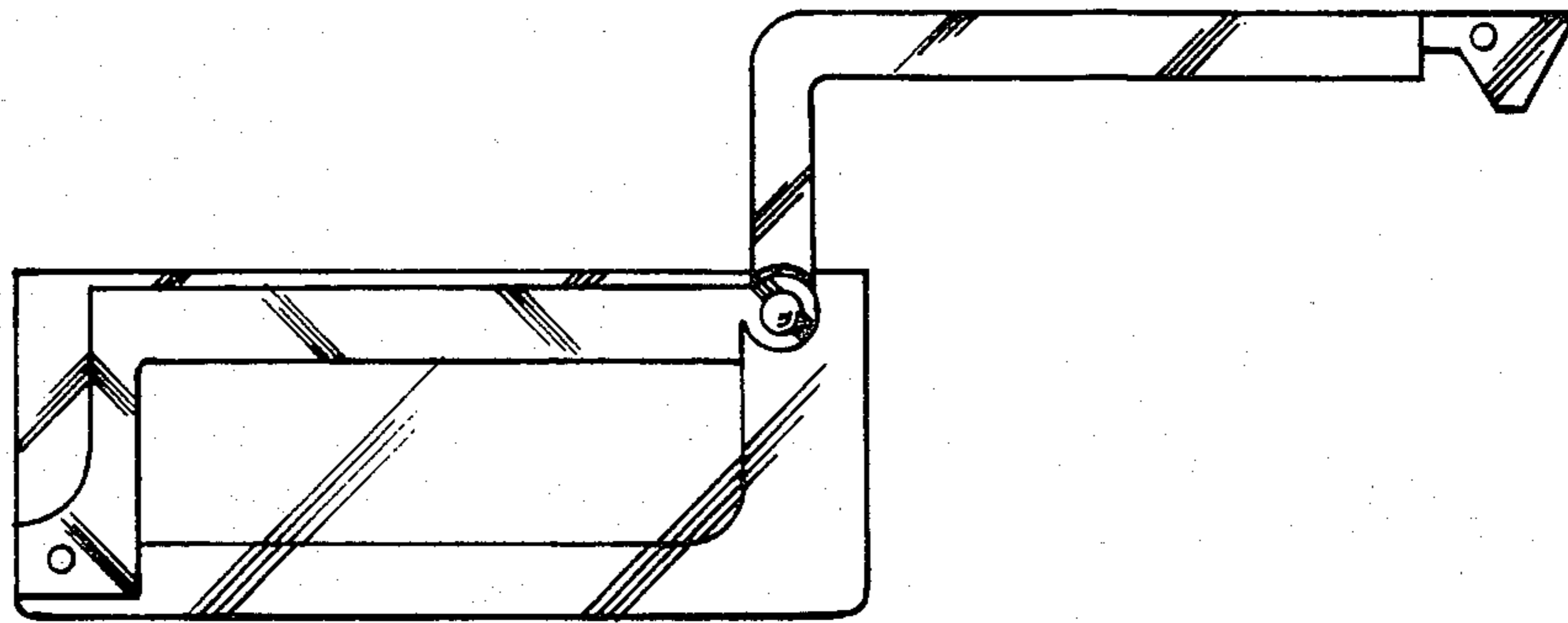


FIG. 1

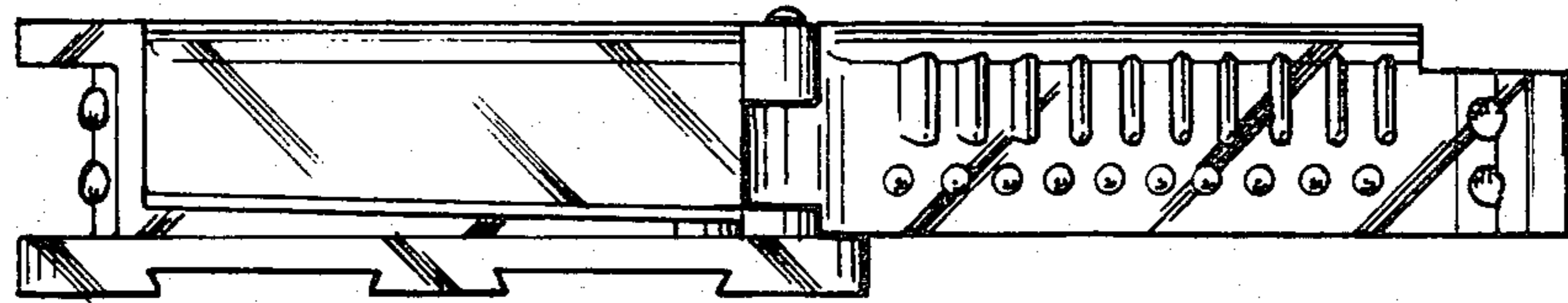


FIG. 2

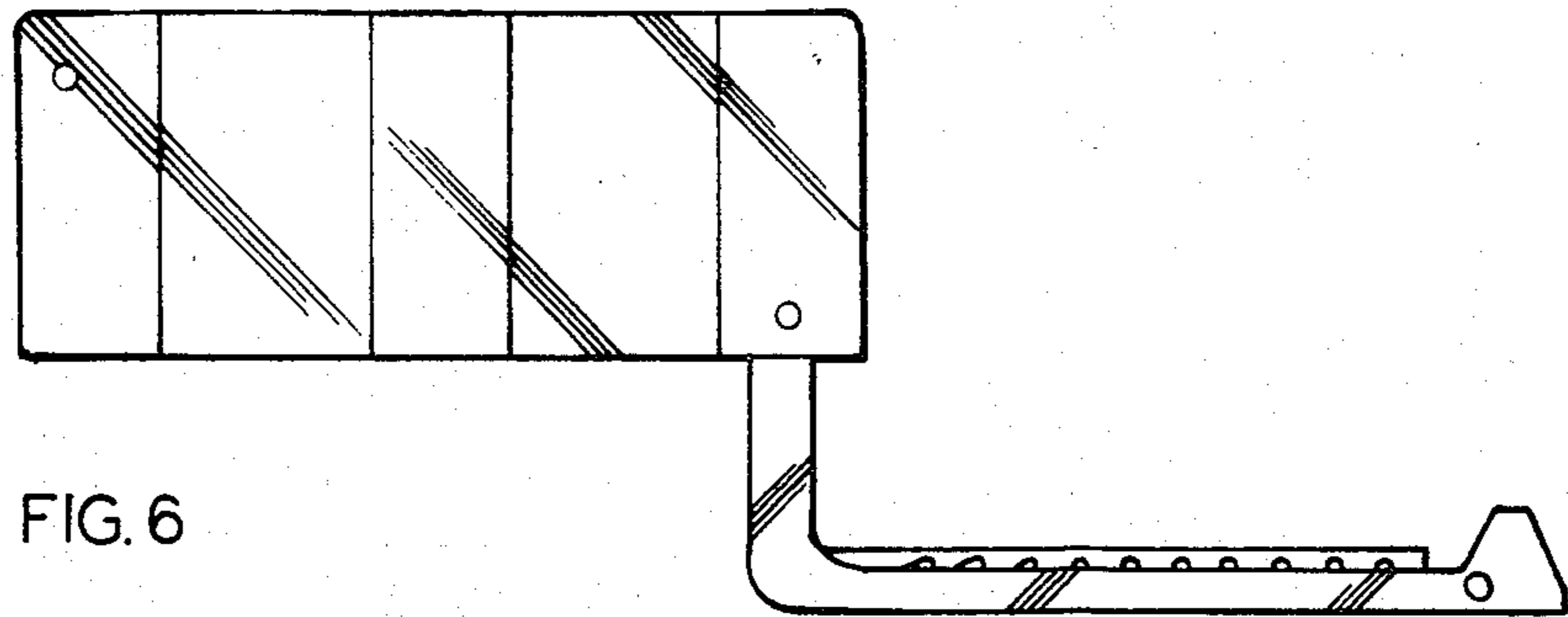


FIG. 6

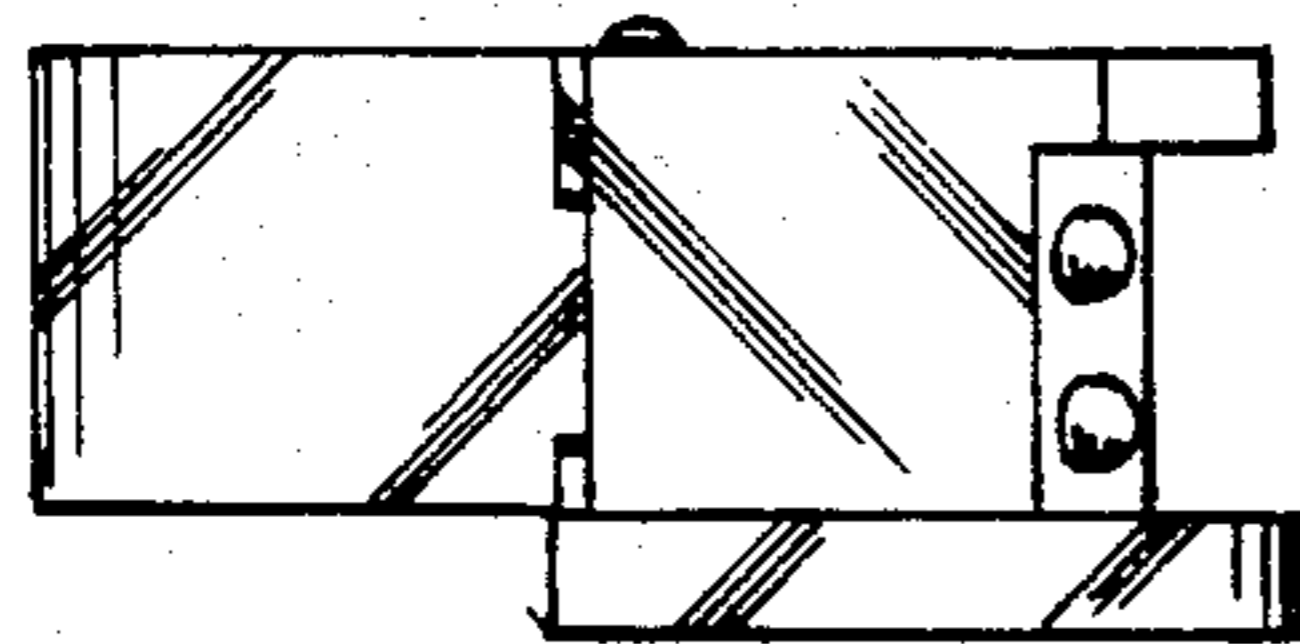


FIG. 5

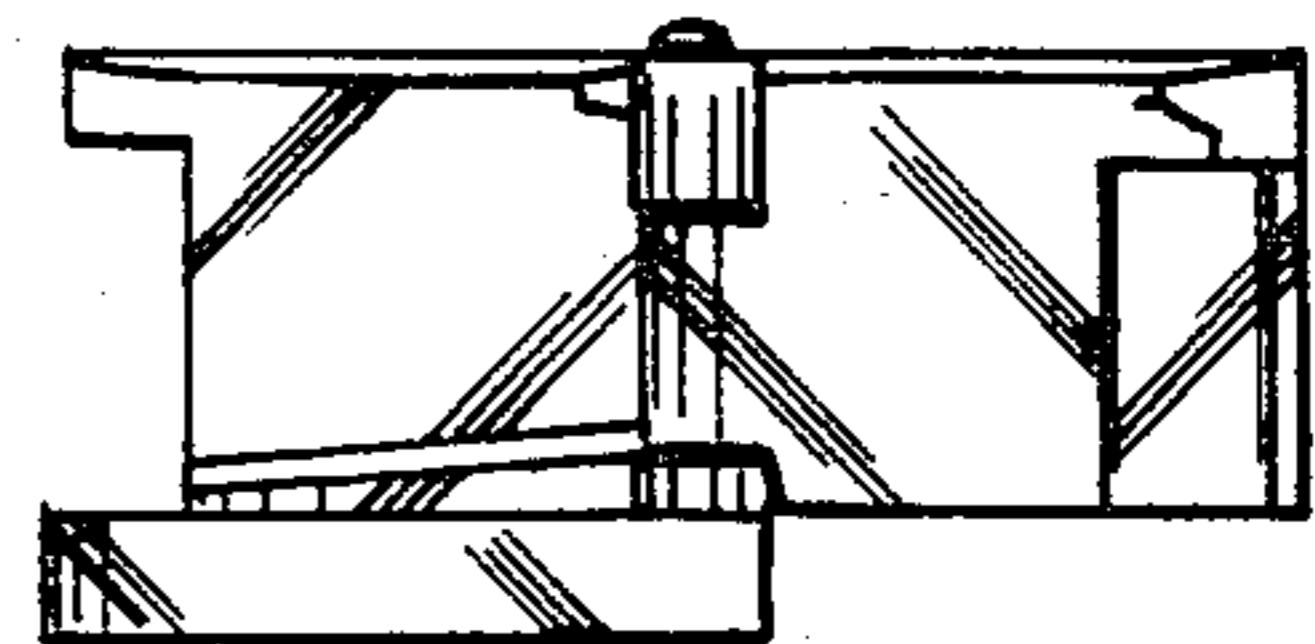


FIG. 4