

United States Patent [19]
Bolgert

[11] **Patent Number: Des. 278,740**

[45] **Date of Patent: ** May 7, 1985**

[54] **VACUUM BREAKER VALVE**

3,183,924 5/1965 Duchin 137/218

[75] **Inventor: Edwin F. Bolgert, Kohler, Wis.**

Primary Examiner—Wallace R. Burke

[73] **Assignee: Kohler Co., Kohler, Wis.**

Assistant Examiner—Lynn Wilder

[**] **Term: 14 Years**

Attorney, Agent, or Firm—Quarles & Brady

[21] **Appl. No.: 444,998**

[57] **CLAIM**

The ornamental design for a vacuum breaker valve, as shown.

[22] **Filed: Nov. 29, 1982**

[52] **U.S. Cl. D23/19**

[58] **Field of Search D23/3, 19, 20, 21, 22;
137/217, 218, 219**

DESCRIPTION

FIG. 1 is a perspective view of a vacuum breaker valve showing my new design;

FIG. 2 is a front elevational view thereof;

FIG. 3 is a left side elevational view thereof, the right side being the mirror image thereof;

FIG. 4 is a rear elevational view thereof;

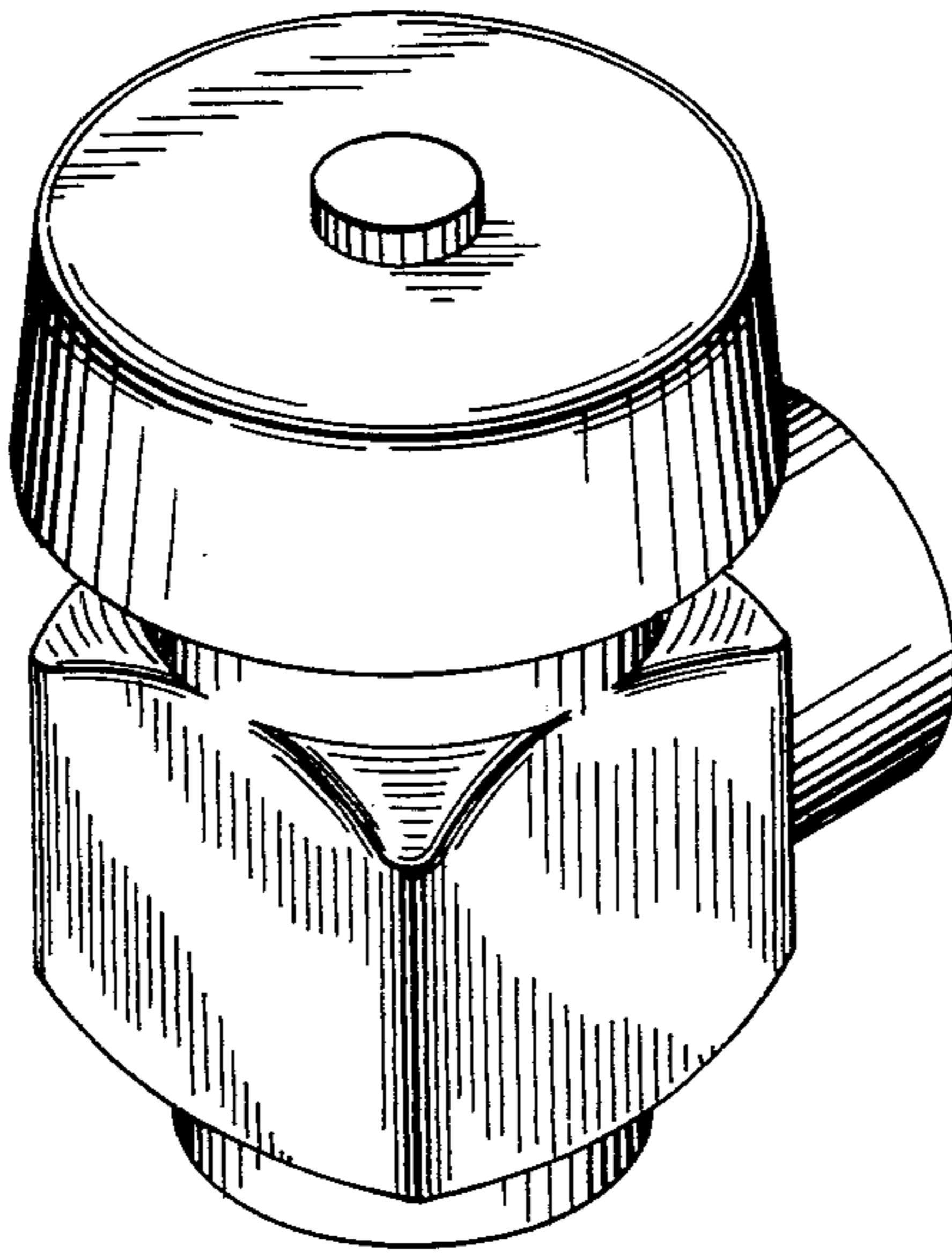
FIG. 5 is a top plan view thereof; and

FIG. 6 is a bottom plan view thereof.

[56] **References Cited**

U.S. PATENT DOCUMENTS

D. 137,235 2/1944 Butler D23/3
3,145,724 8/1964 Pelzer 137/217
3,180,352 4/1965 Kersten et al. 137/218



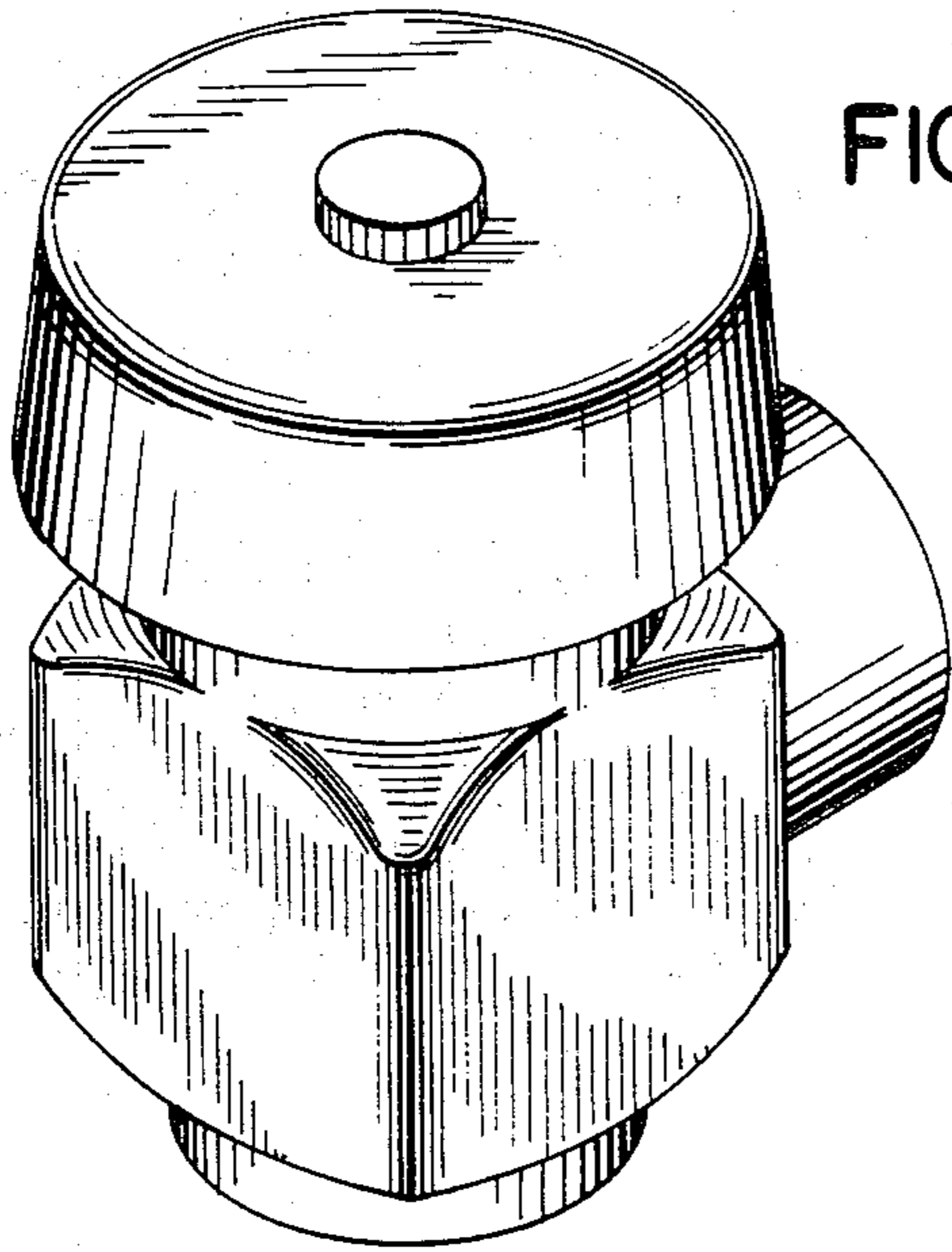


FIG. 1

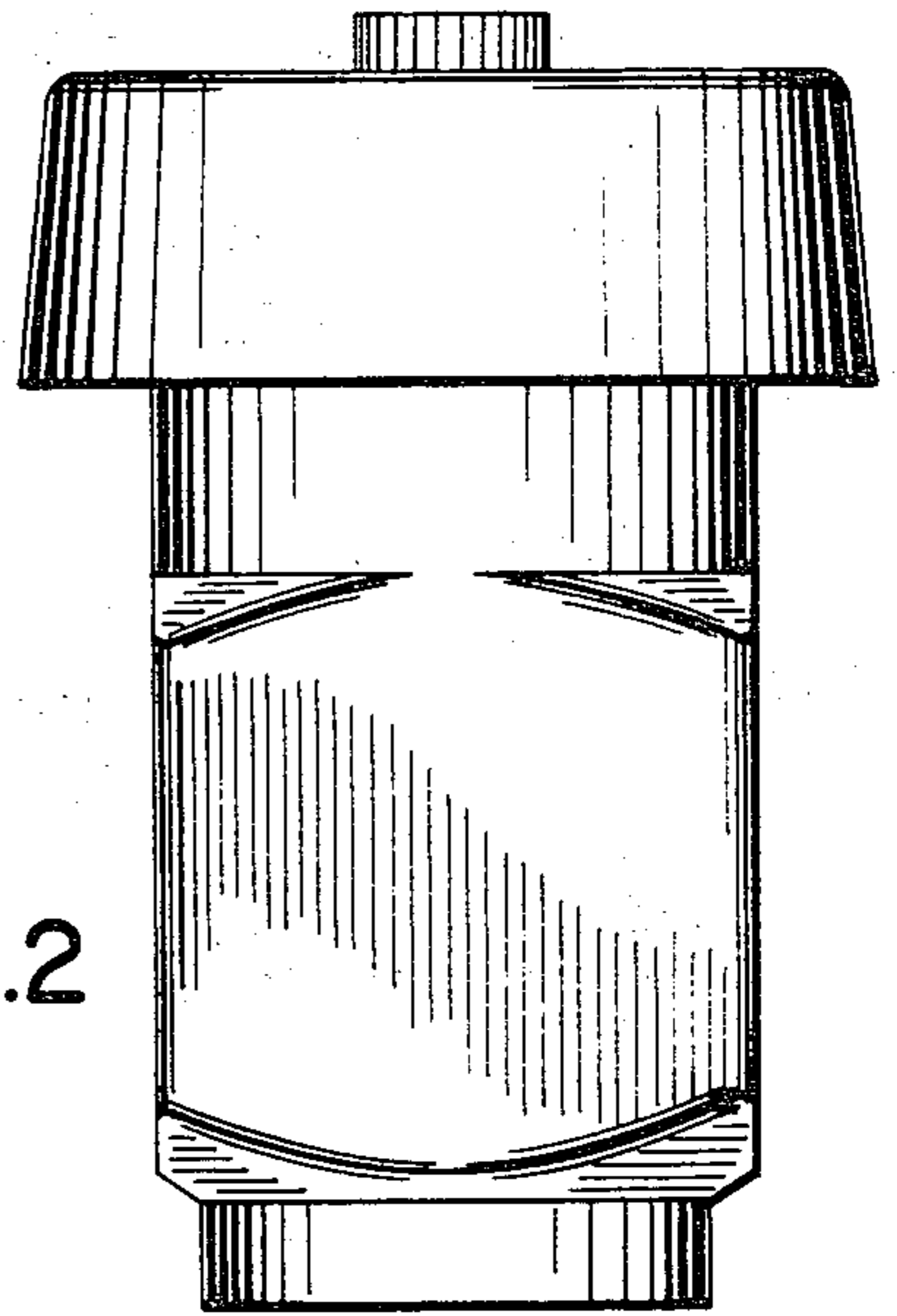


FIG. 2

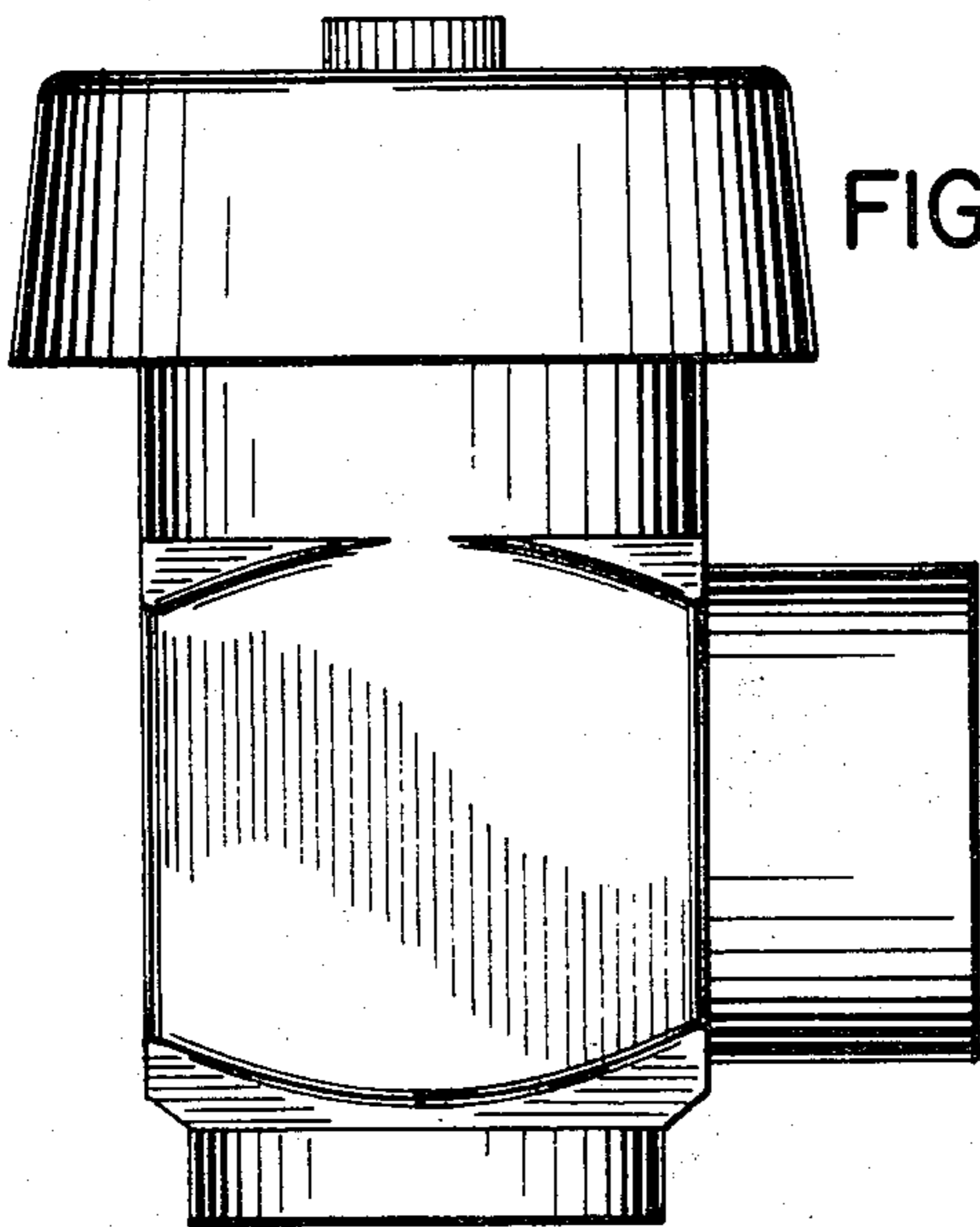


FIG. 3

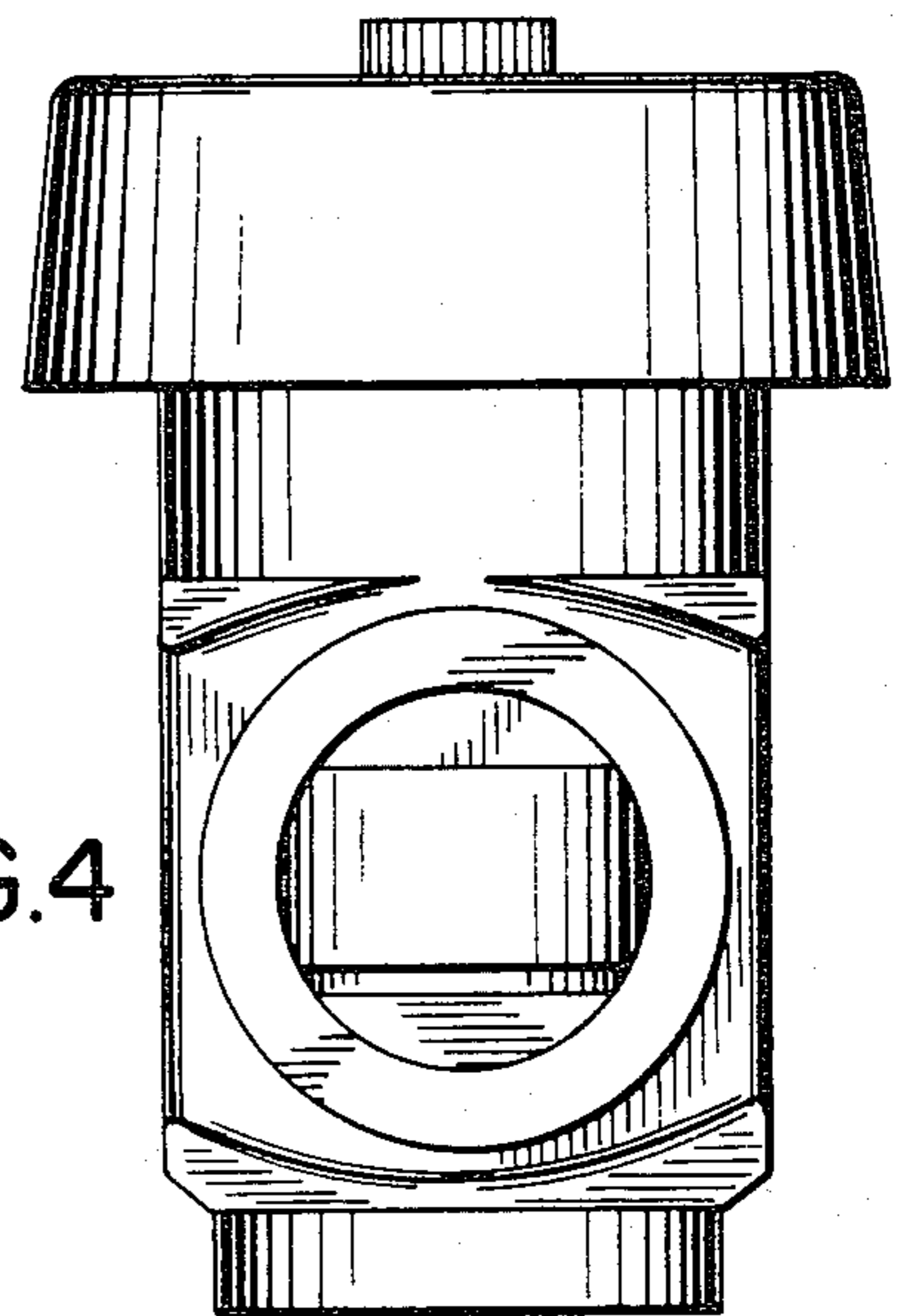


FIG. 4

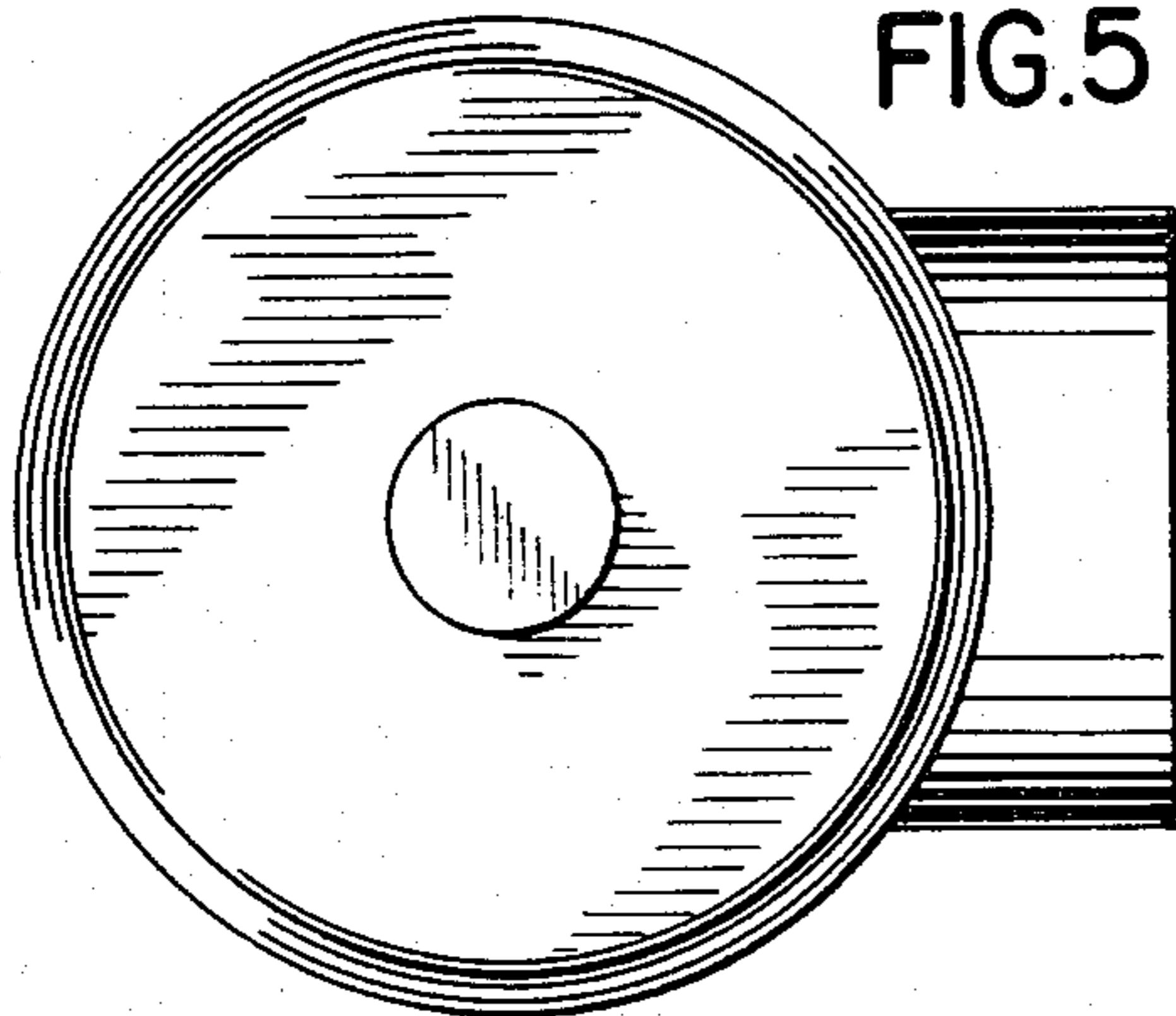


FIG. 5

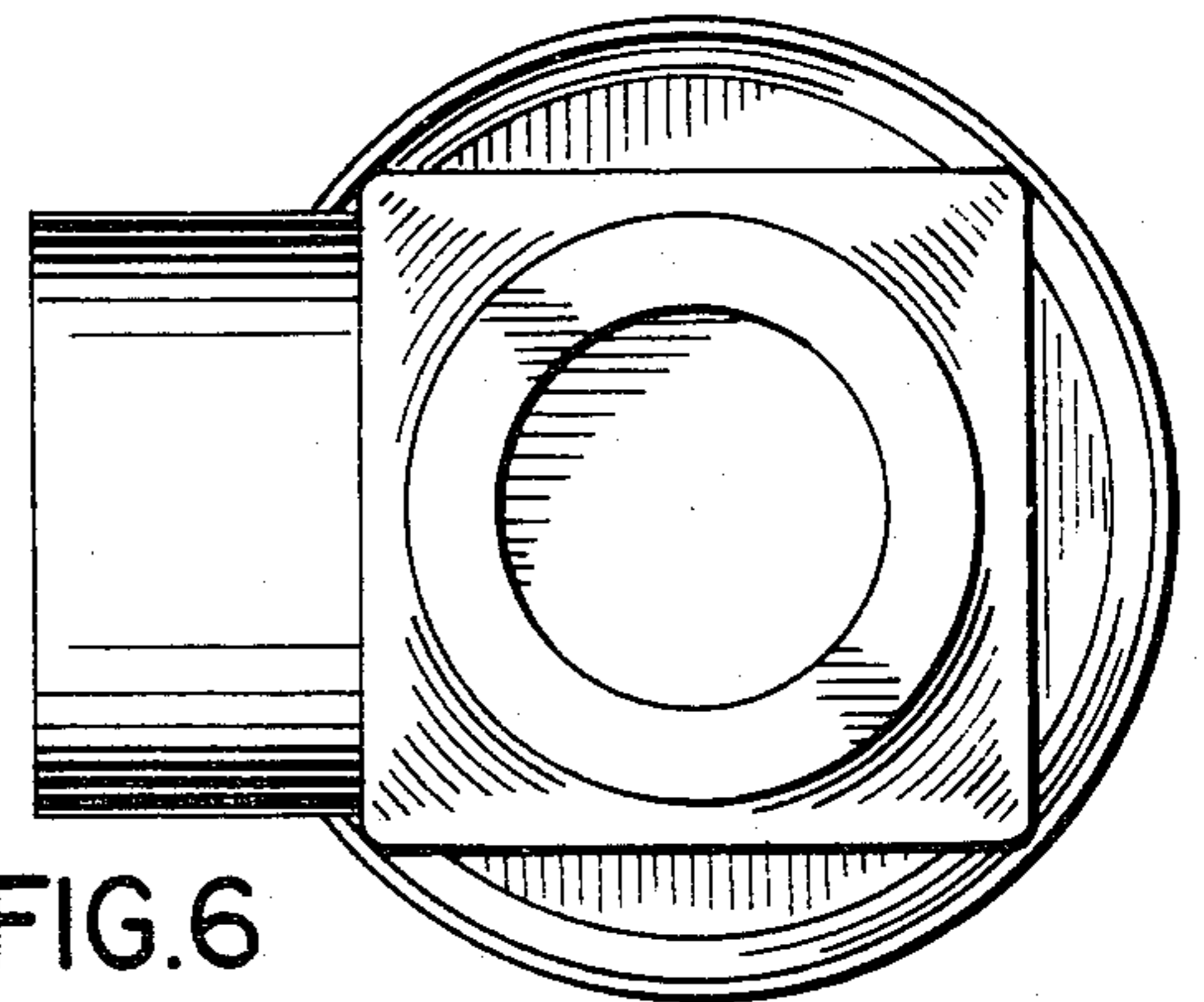


FIG. 6