

[54] **ANIMAL-LIKE FIGURE TOY**

[75] **Inventor: Tethuo Ohkado, Tokyo, Japan**

[73] **Assignee: Tomy Kogyo Company, Incorporated, Japan**

[\*\*] **Term: 14 Years**

[21] **Appl. No.: 407,741**

[22] **Filed: Aug. 13, 1982**

[30] **Foreign Application Priority Data**

Aug. 25, 1981 [JP] Japan ..... 56-37330  
[52] **U.S. Cl.** ..... **D21/150**  
[58] **Field of Search** ..... D21/148, 150, 87, 166;  
46/22, 115, 116, 202, 201

[56] **References Cited**

**U.S. PATENT DOCUMENTS**

D. 221,166 7/1971 Gorfain ..... D21/87  
D. 266,777 11/1982 Lucas, Jr. et al. .... D21/87  
D. 272,752 2/1984 Boudreaux ..... D21/87  
4,248,006 2/1981 Jones et al. .... 46/202

*Primary Examiner*—Melvin B. Feifer  
*Attorney, Agent, or Firm*—K. H. Boswell

[57] **CLAIM**

The ornamental design for an animal-like figure toy, substantially as shown and described.

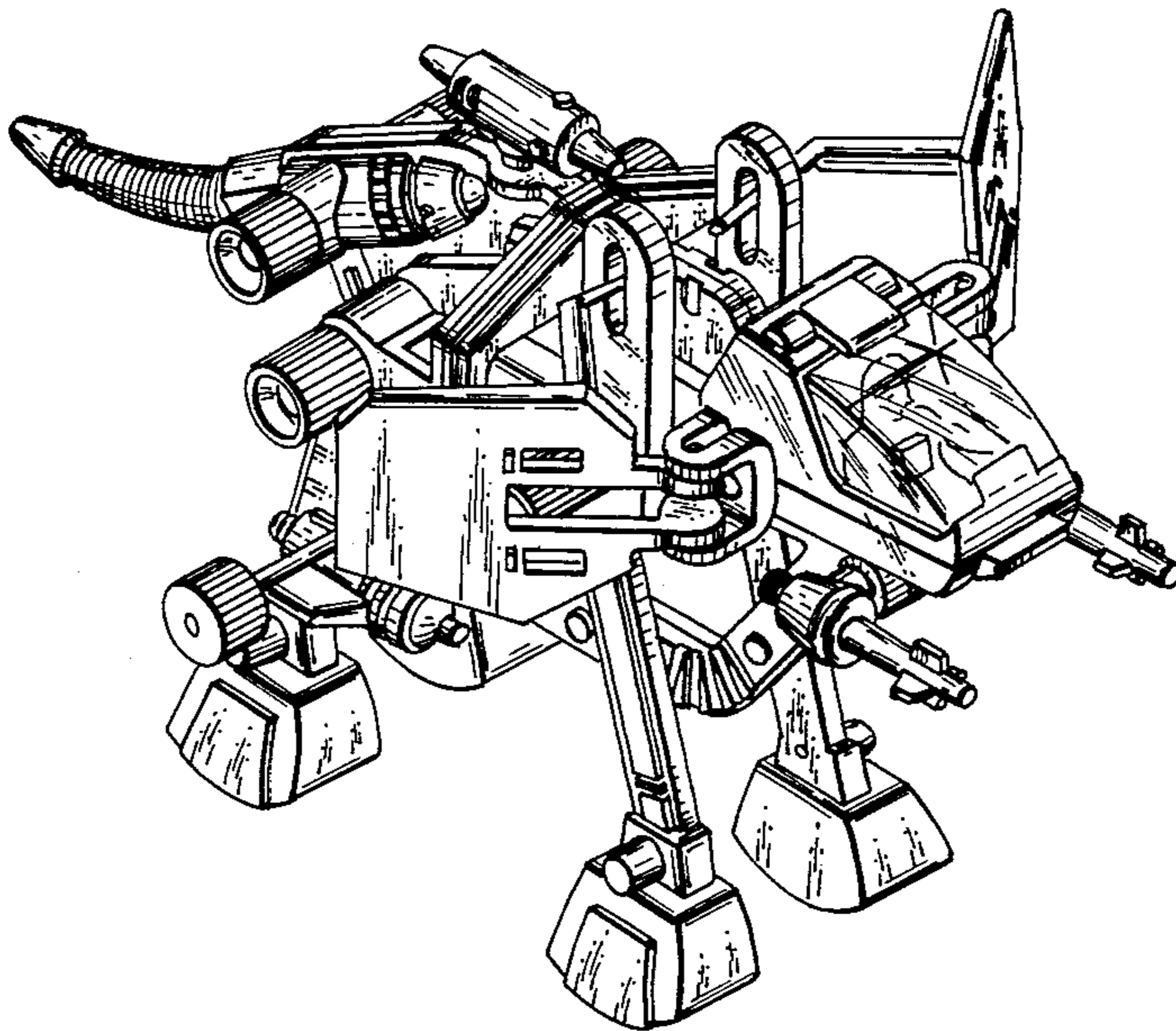
**DESCRIPTION**

FIG. 1 is an isometric view showing the front, one side and the top of a animal-like figure toy, showing my new design;

FIG. 2 is a side elevational view showing the other side of the figurine of FIG. 1;

FIG. 3 is a rear elevational view of the figurine of FIG. 1; and

FIG. 4 is a bottom plan view of the figurine of FIG. 1.



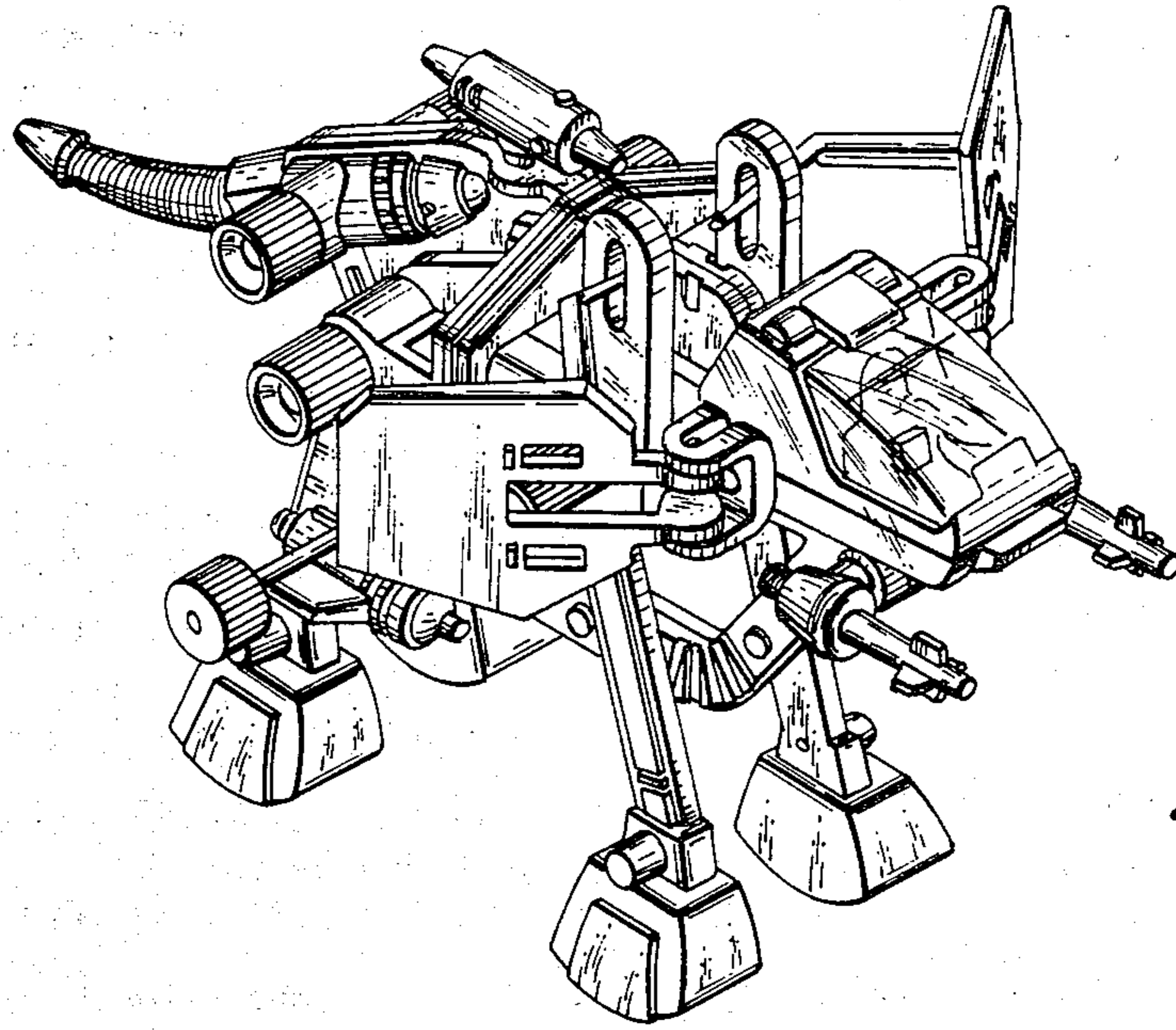
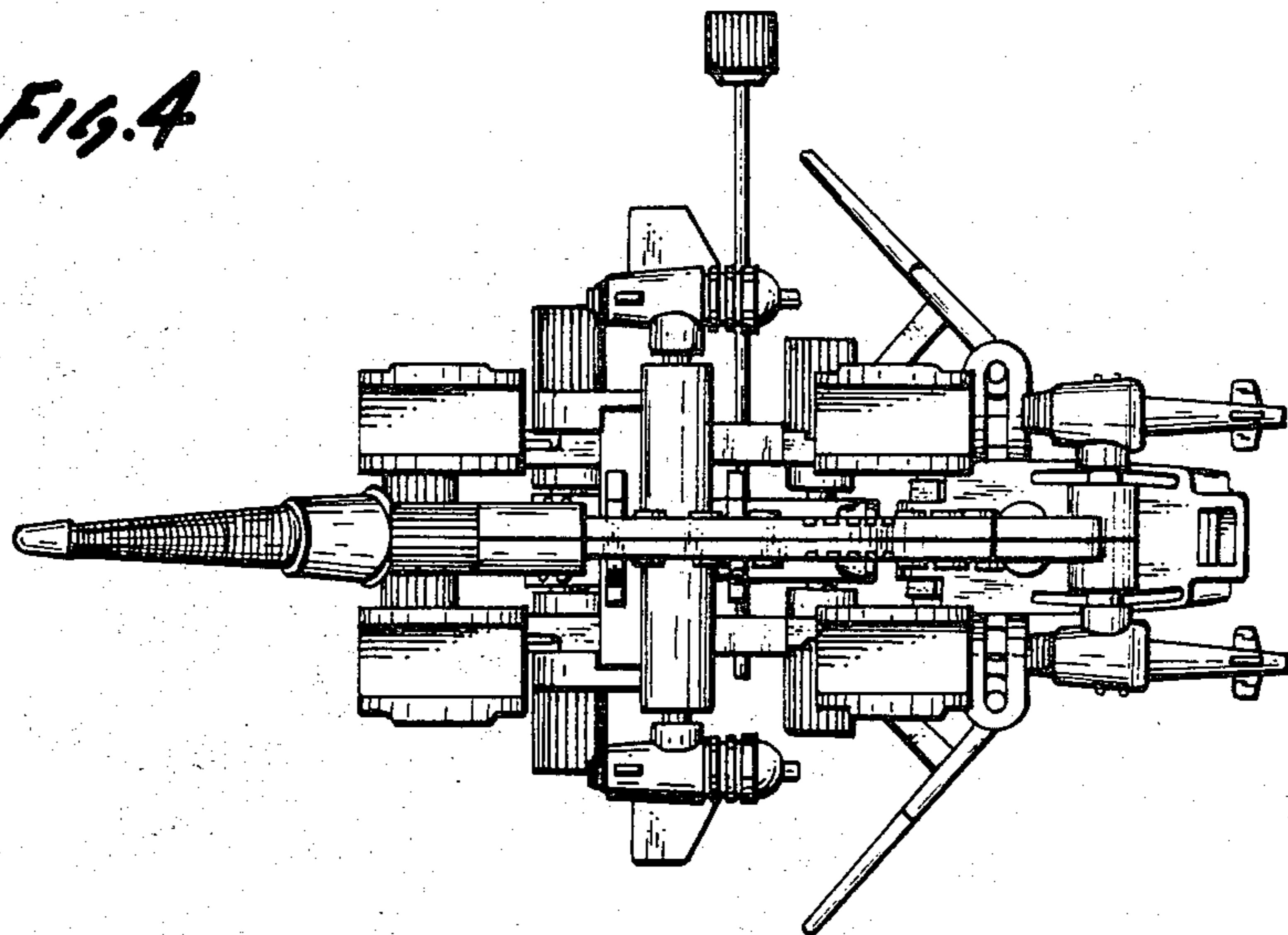
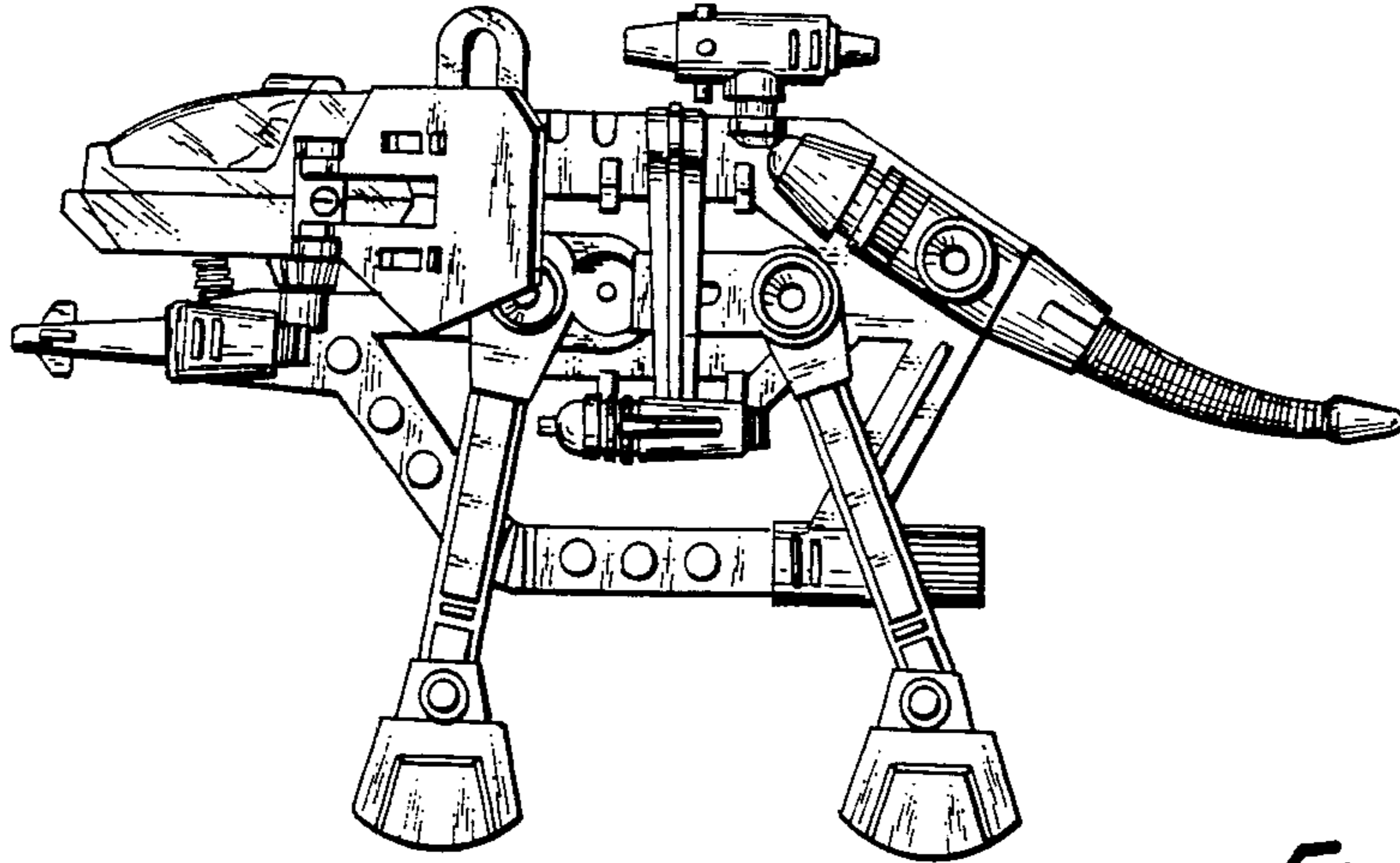


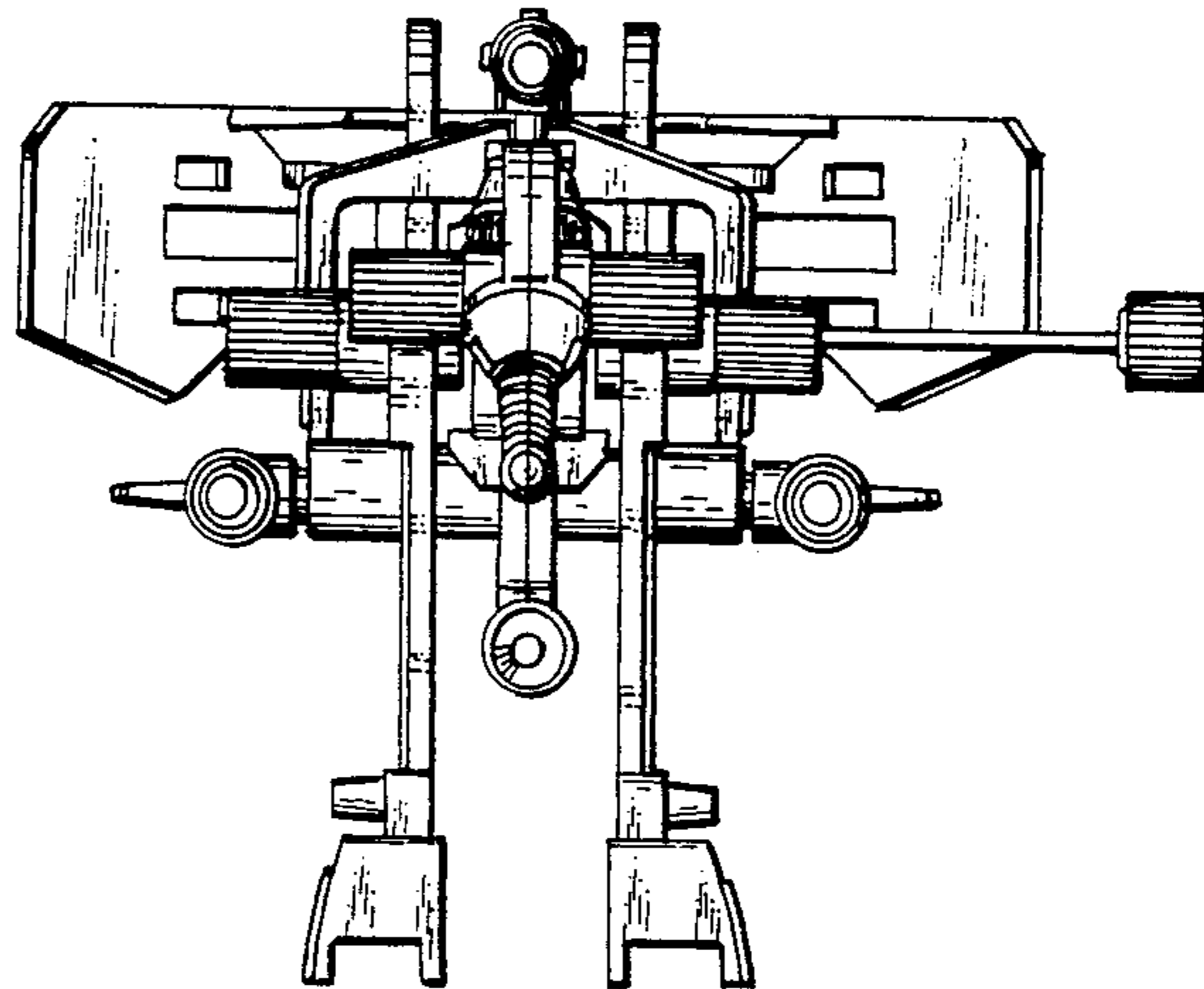
FIG. 1

FIG. 4





*Fig. 2*



*Fig. 3*