

[54] **ANIMAL-LIKE FIGURE TOY**

[75] **Inventor: Tethuo Ohkado, Tokyo, Japan**

[73] **Assignee: Tomy Kogyo Company, Incorporated, Japan**

[\*\*] **Term: 14 Years**

[21] **Appl. No.: 407,740**

[22] **Filed: Aug. 13, 1982**

[30] **Foreign Application Priority Data**

Aug. 25, 1981 [JP] Japan ..... 56-37330

[52] **U.S. Cl. .... D21/150**

[58] **Field of Search .... D21/148, 150, 87, 166; 46/22, 115, 116, 202, 201**

[56] **References Cited**

**U.S. PATENT DOCUMENTS**

D. 221,166	7/1971	Gorfain .....	D21/87
D. 266,777	11/1982	Lucas, Jr. et al. ....	D21/87
D. 272,752	2/1984	Boudreaux .....	D21/87
4,248,006	2/1981	Jones et al. ....	46/202

*Primary Examiner*—Melvin B. Feifer  
*Attorney, Agent, or Firm*—K. H. Boswell

[57] **CLAIM**

The ornamental design for an animal-like figure toy, substantially as shown and described.

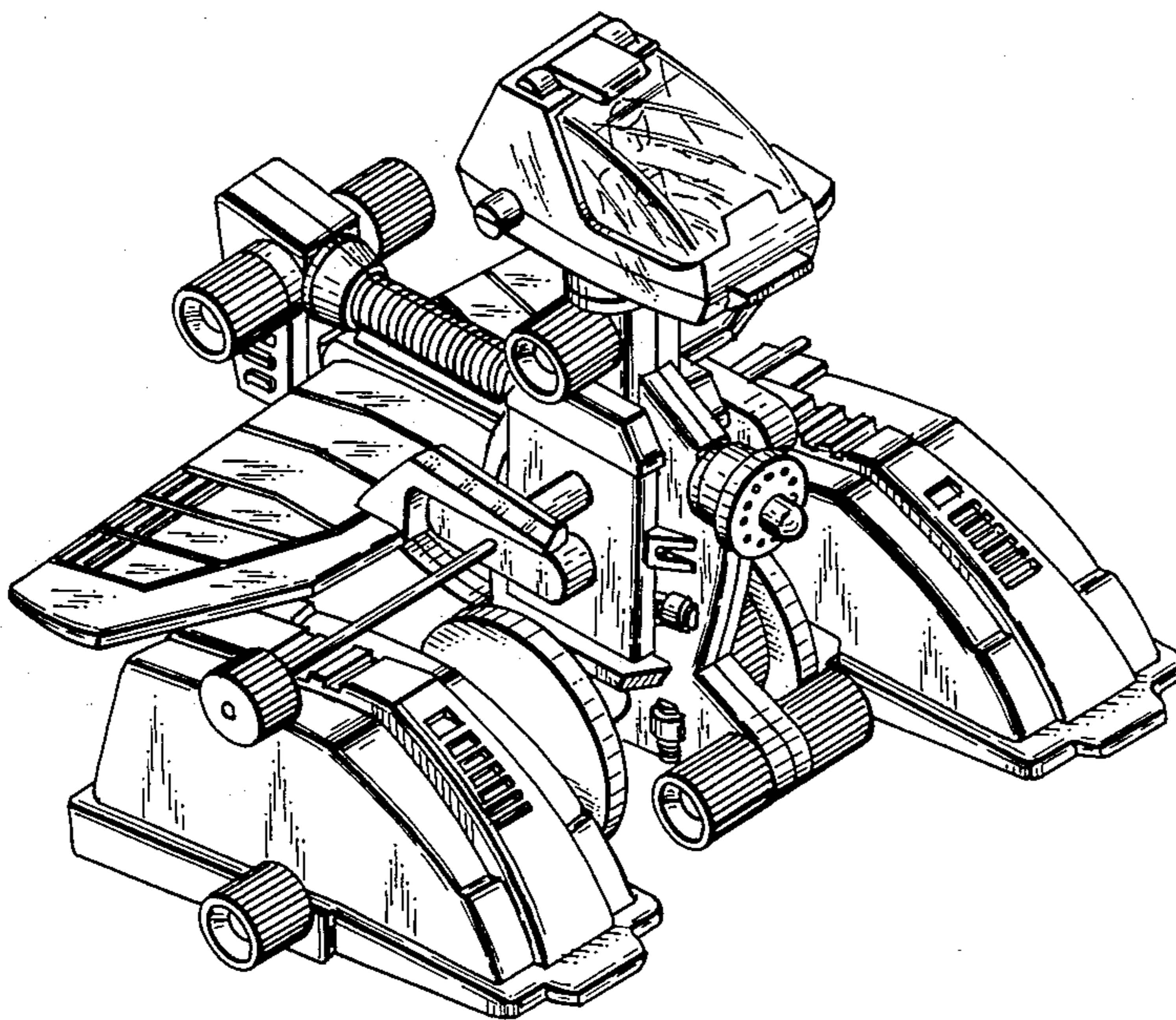
**DESCRIPTION**

FIG. 1 is an isometric view showing the front, one side and the top of an animal-like figure toy, showing my new design;

FIG. 2 is a side elevational view showing the other side of the figurine of FIG. 1;

FIG. 3 is a rear elevational view of the figurine of FIG. 1; and

FIG. 4 is a bottom plan view of the figurine of FIG. 1.



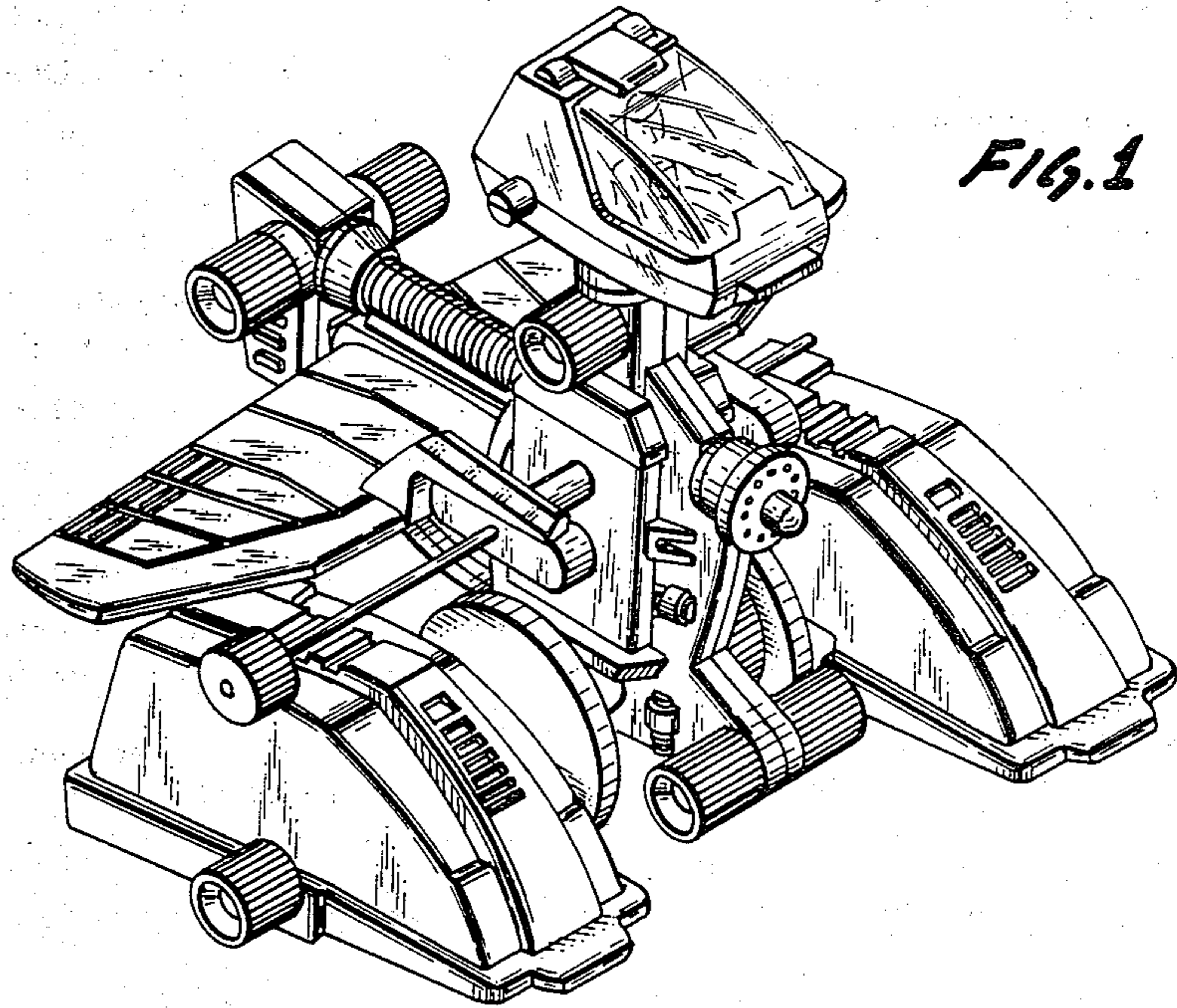
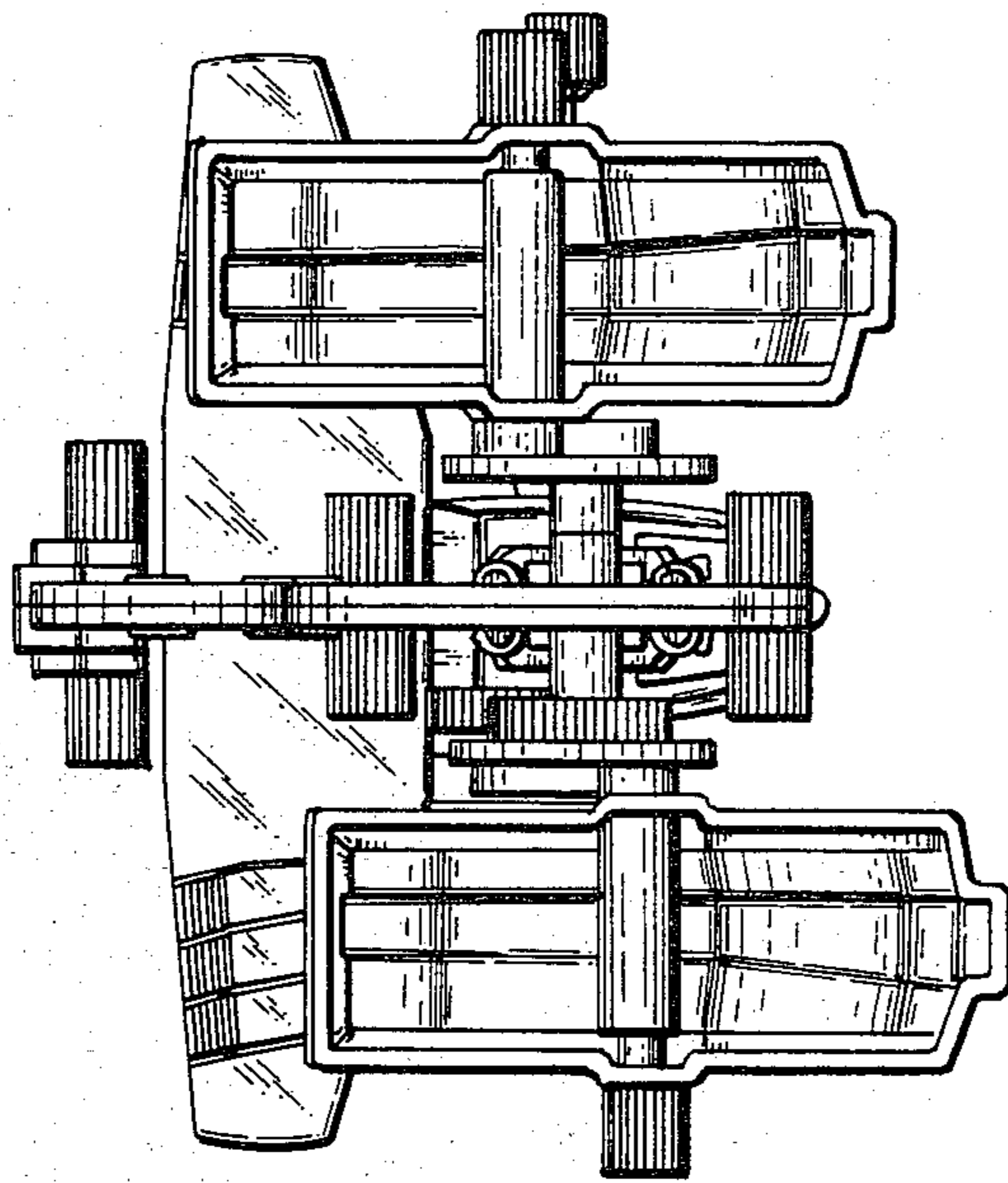


Fig. 4



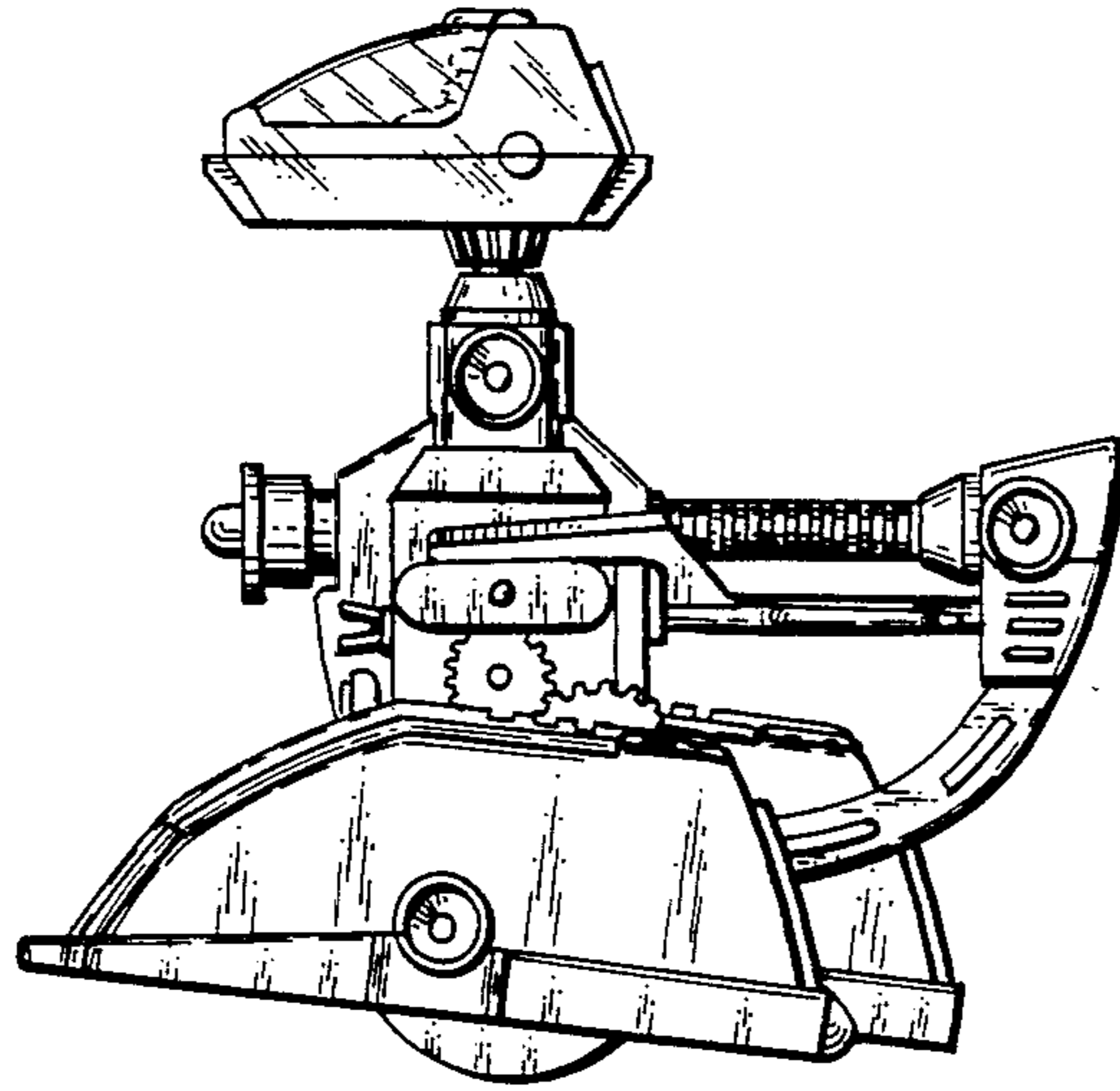


Fig. 2

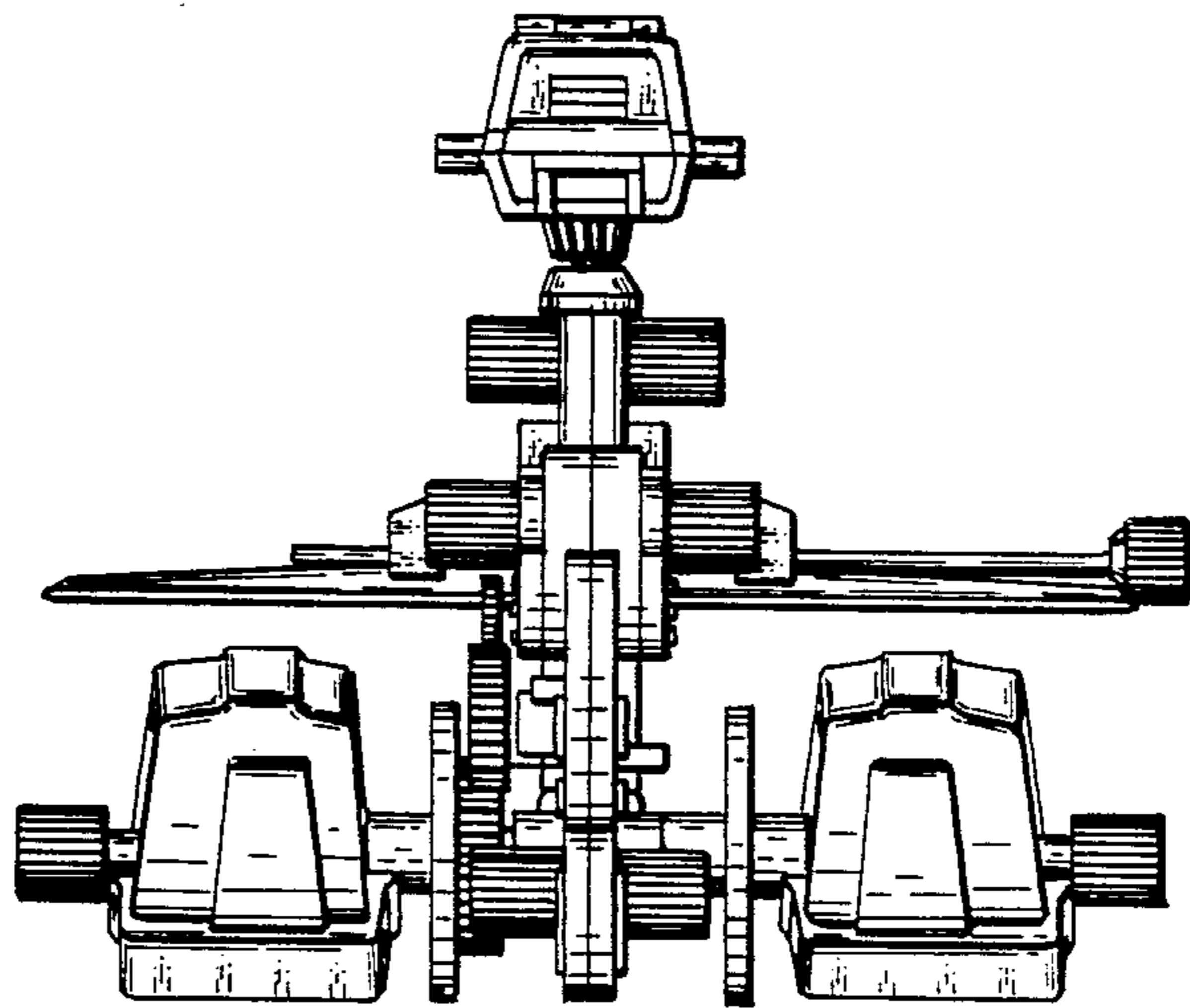


Fig. 3