

United States Patent [19]

Ninomiya

[11] Patent Number: **Des. 278,729**

[45] Date of Patent: **** May 7, 1985**

[54] **TOY AIRPLANE**

[76] Inventor: **Yasuaki Ninomiya**, Suite 5-101
Tamaplaza, 20 Utsukushigaoka,
1-chome, Midoriku, Yokohama,
Kanagawa, Japan

[**] Term: **14 Years**

[21] Appl. No.: **441,650**

[22] Filed: **Nov. 15, 1982**

[30] **Foreign Application Priority Data**

May 28, 1982 [JP] Japan 57-23521

[52] U.S. Cl. **D21/89**

[58] Field of Search D21/87, 88, 89, 90,
D21/82; 244/93, 153 R, 154, 155 R; 446/61, 62,
63, 64, 65, 66, 67, 68

[56] **References Cited**

U.S. PATENT DOCUMENTS

D. 59,419 10/1921 Haworth D21/89

D. 257,997 1/1981 Hoeft D21/89

1,035,017 8/1912 Kaiser et al. D21/90
1,920,746 8/1933 Guillow 446/62

OTHER PUBLICATIONS

"Go Fly a Kite" Flier, p. 15, #815, Galactical Gliders.

Primary Examiner—Charles A. Rademaker
Attorney, Agent, or Firm—Spensley, Horn, Jubas &
Lubitz

[57] **CLAIM**

The ornamental design for a toy airplane, as shown.

DESCRIPTION

FIG. 1 is a left side perspective view of a toy airplane showing my new design;
FIG. 2 is a bottom perspective view;
FIG. 3 is a front elevational view;
FIG. 4 is a rear elevational view;
FIG. 5 is a left side elevational view;
FIG. 6 is a right side elevational view;
FIG. 7 is a top plan view; and
FIG. 8 is a bottom plan view.

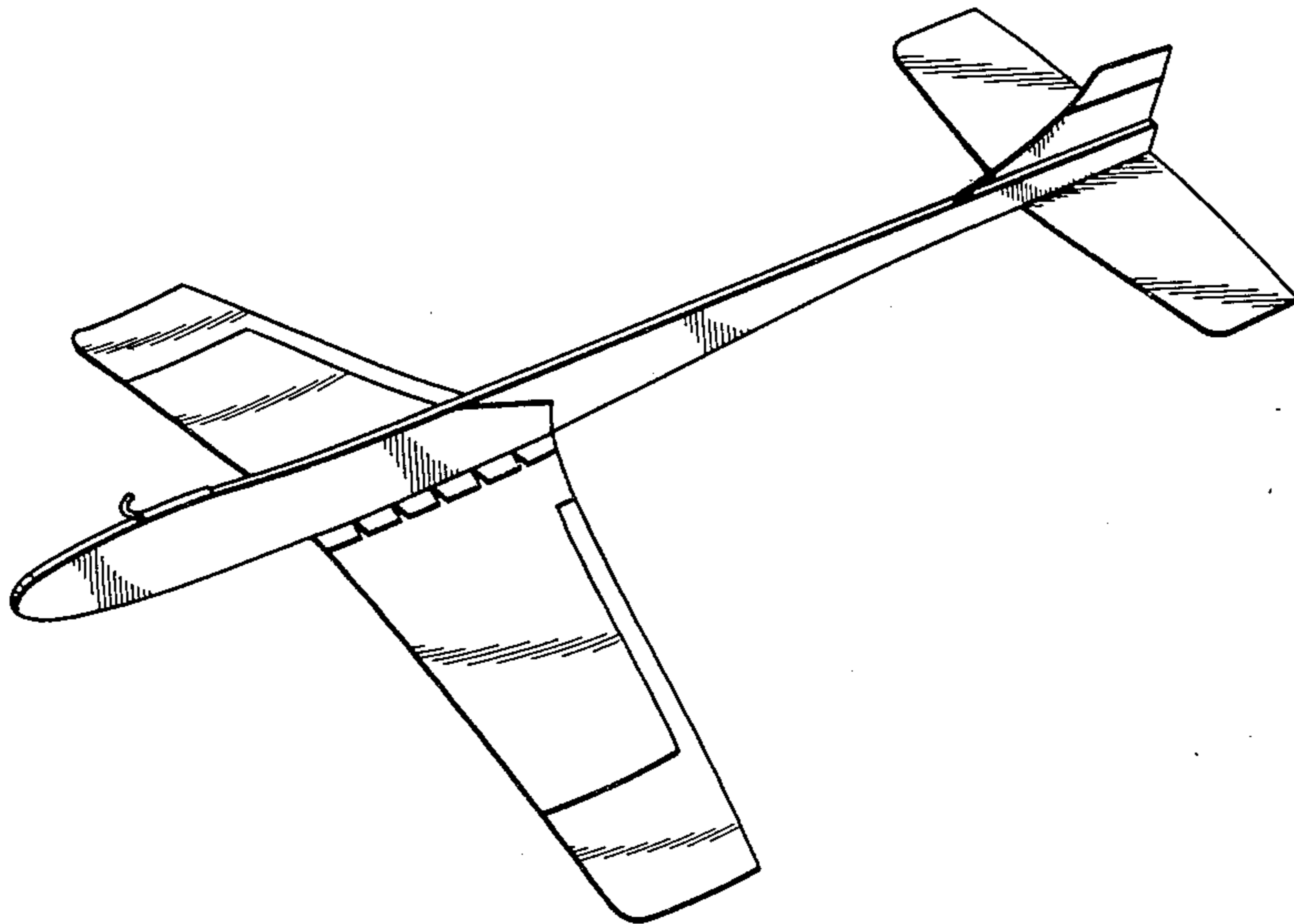


FIG. 1

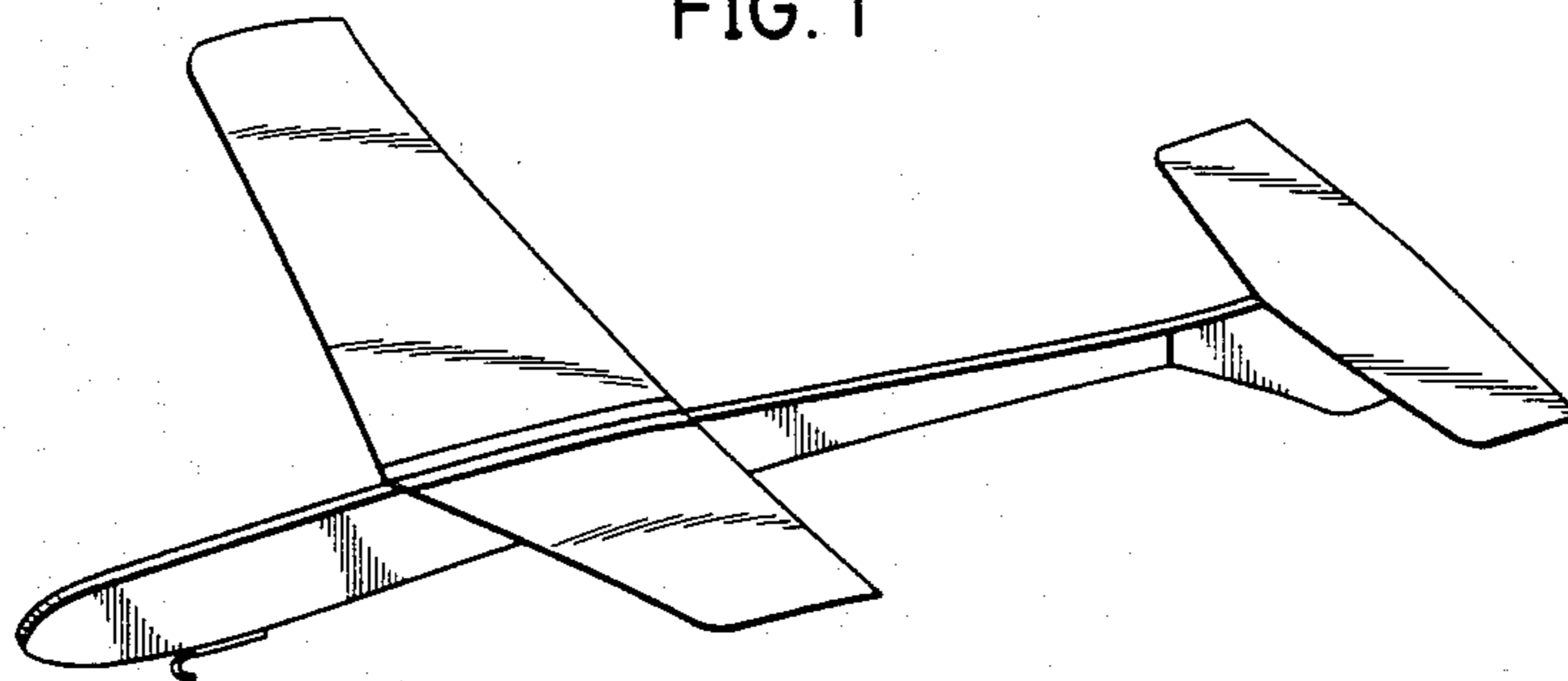


FIG. 2

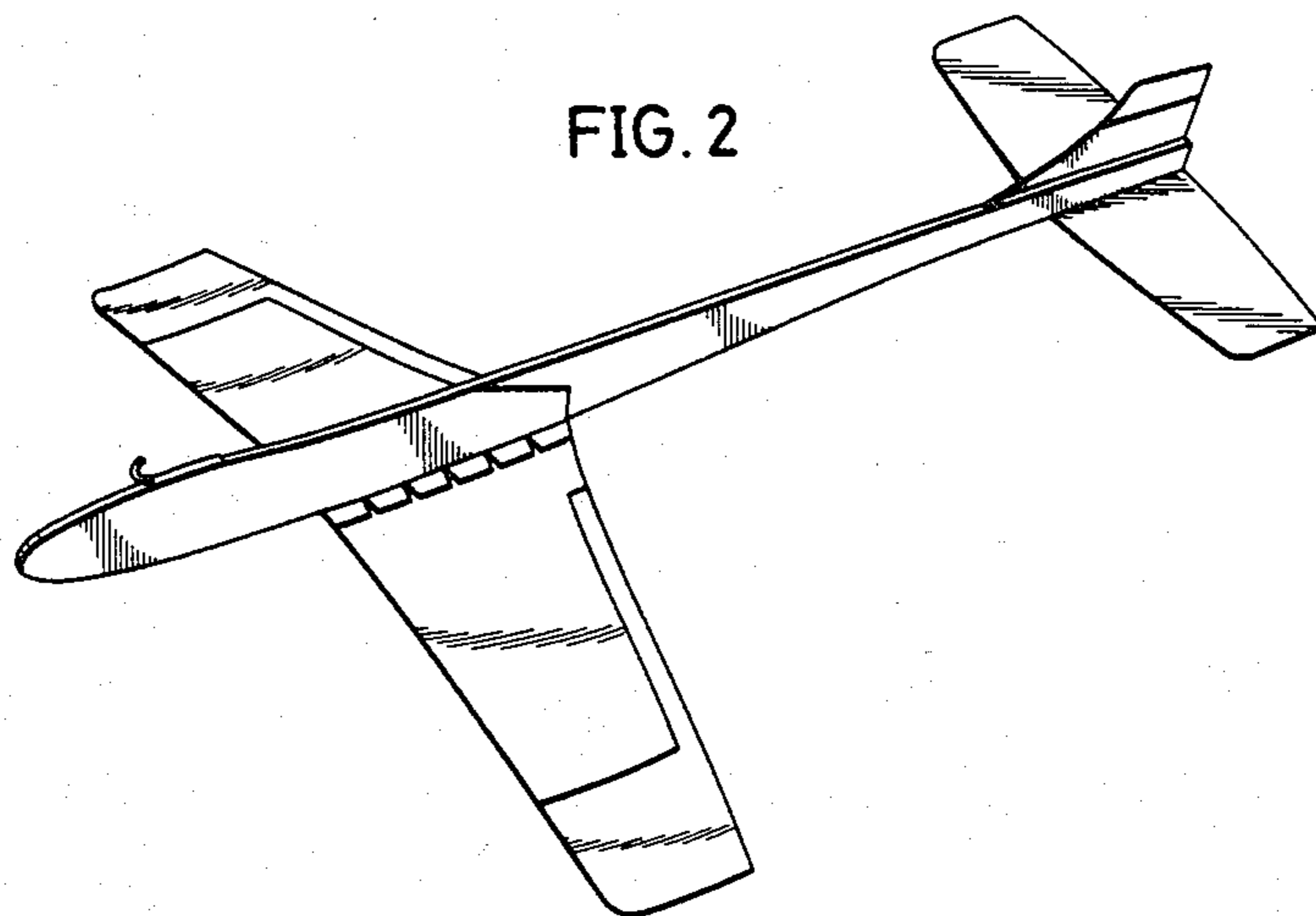


FIG. 3

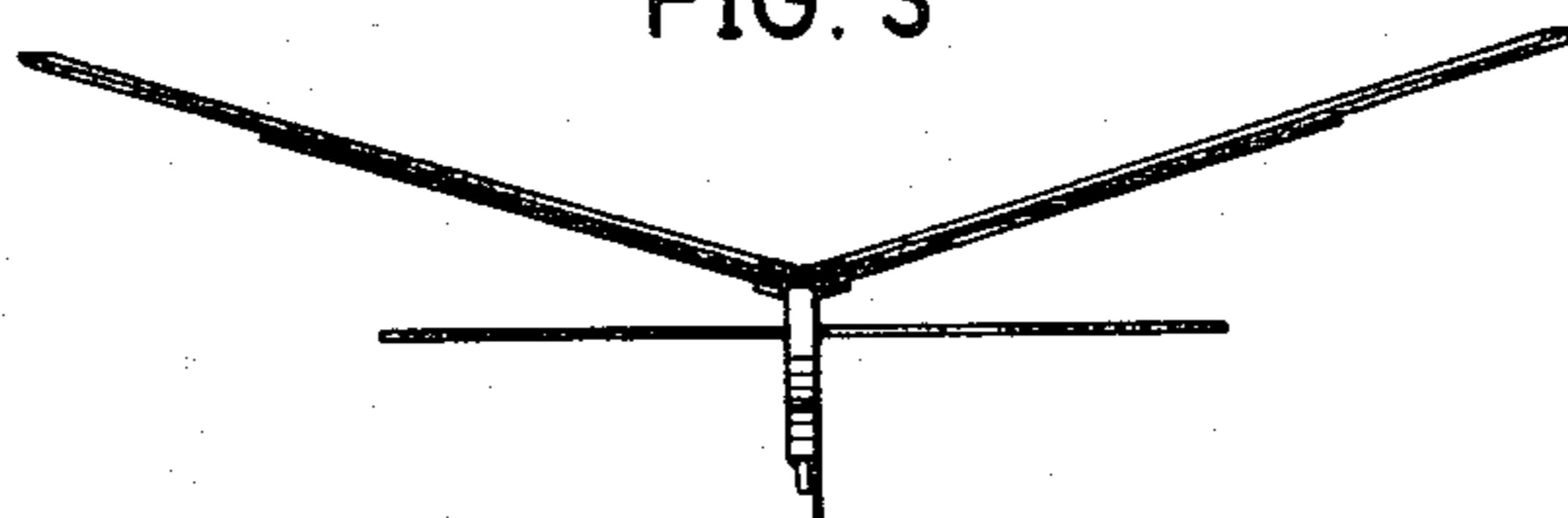


FIG. 4

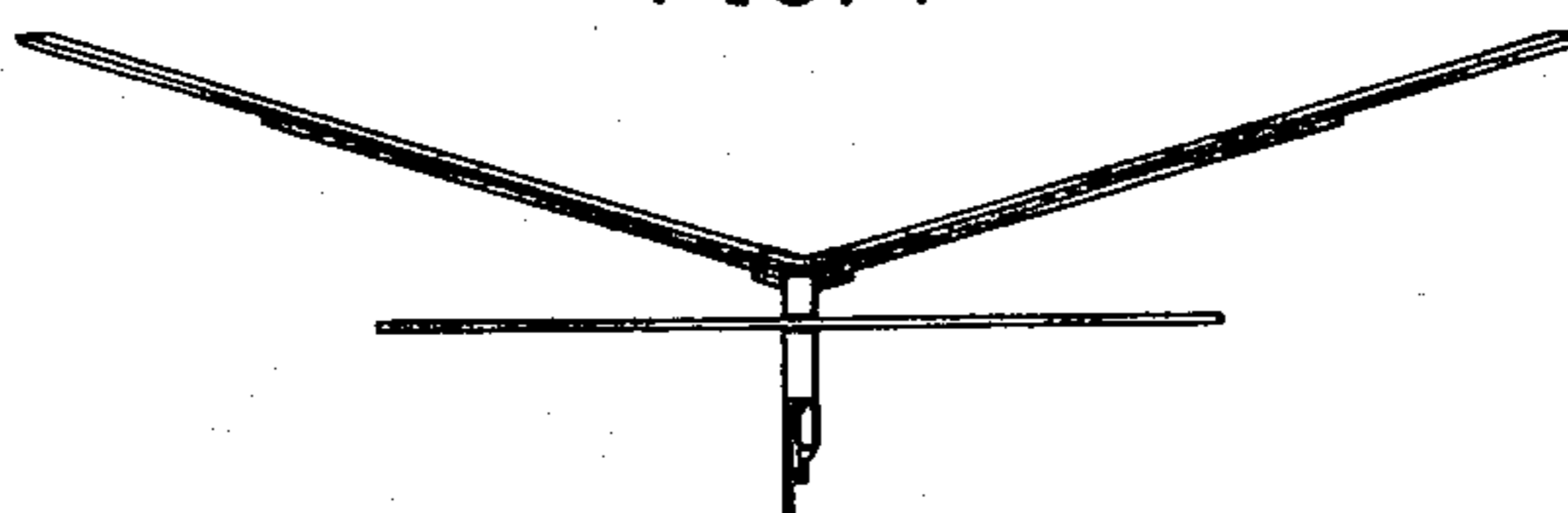


FIG. 5

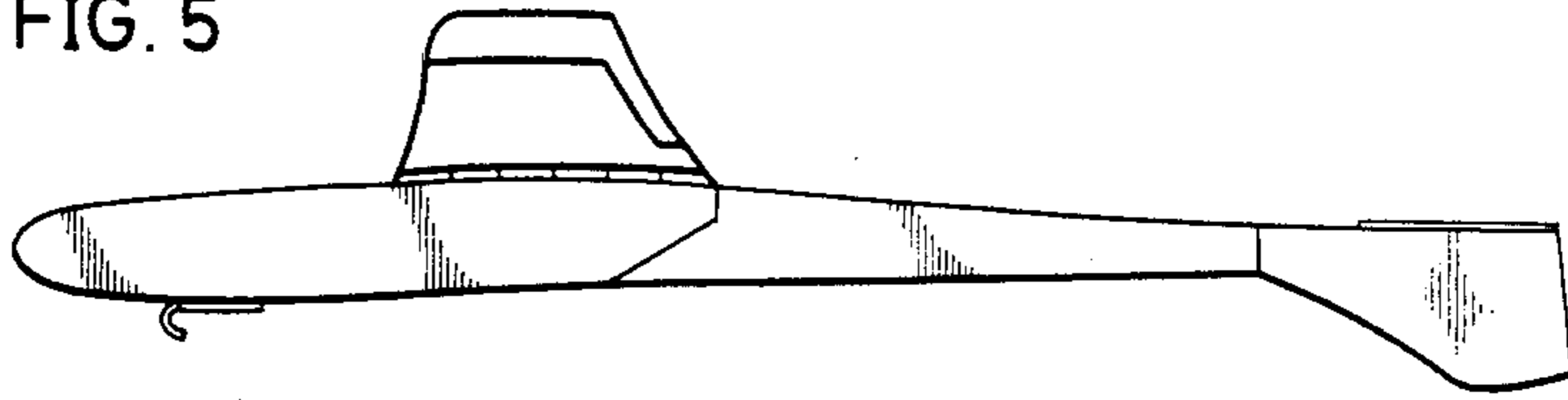


FIG. 6

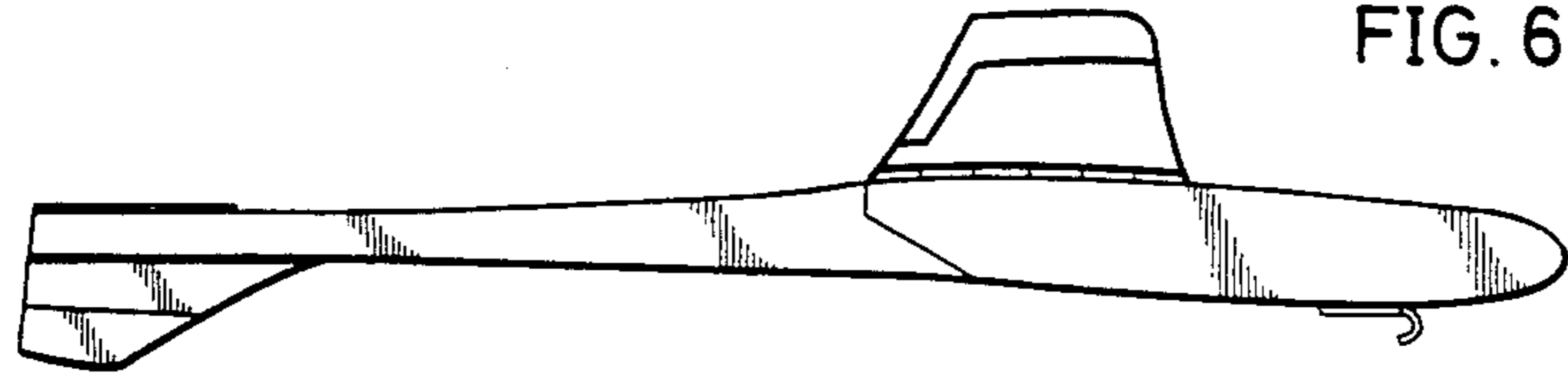


FIG. 7

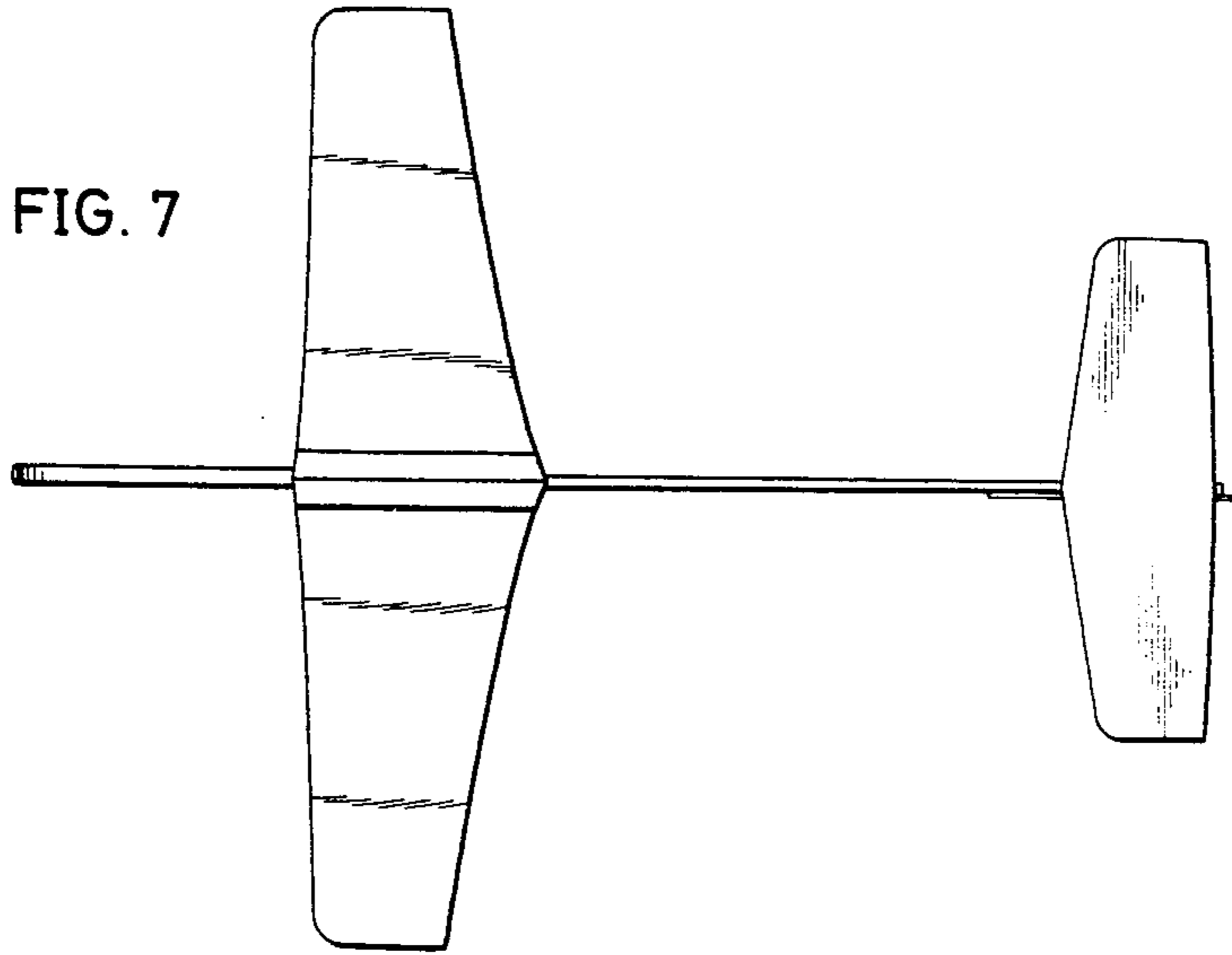


FIG. 8

