

[54] **TOY AIRPLANE**

[76] **Inventor: Yasuaki Ninomiya, Suite 5-101
Tamaplaza, 20 Utsukushigaoka,
1-chome, Midoriku, Yokohama,
Kanagawa, Japan**

[**] **Term: 14 Years**

[21] **Appl. No.: 441,508**

[22] **Filed: Nov. 15, 1982**

[30] **Foreign Application Priority Data**

May 28, 1982 [JP] Japan 57-23519

[52] **U.S. Cl. D21/89**

[58] **Field of Search D21/87, 88, 89, 90,
D21/82; 244/93, 153 R, 154, 155 R; 446/61, 62,
63, 64, 65, 66, 67, 68**

[56] **References Cited**

U.S. PATENT DOCUMENTS

D. 80,987 4/1930 Wilder et al. D21/89

2,274,208	2/1942	Mull	446/64
2,298,425	10/1942	Shaffer	446/61
2,664,666	1/1954	Walker	446/61
2,718,092	9/1955	Grant	446/61

OTHER PUBLICATIONS

"Go Fly a Kite", p. 15, #815, Galactical Glider.

Primary Examiner—Charles A. Rademaker
Attorney, Agent, or Firm—Spensley, Horn, Jubas & Lubitz

[57] **CLAIM**

The ornamental design for a toy airplane, as shown.

DESCRIPTION

FIG. 1 is a left side perspective view of a toy airplane showing my new design;
FIG. 2 is a bottom perspective view;
FIG. 3 is a front elevational view;
FIG. 4 is a rear elevational view;
FIG. 5 is a left side elevational view;
FIG. 6 is a top plan view; and
FIG. 7 is a bottom plan view.

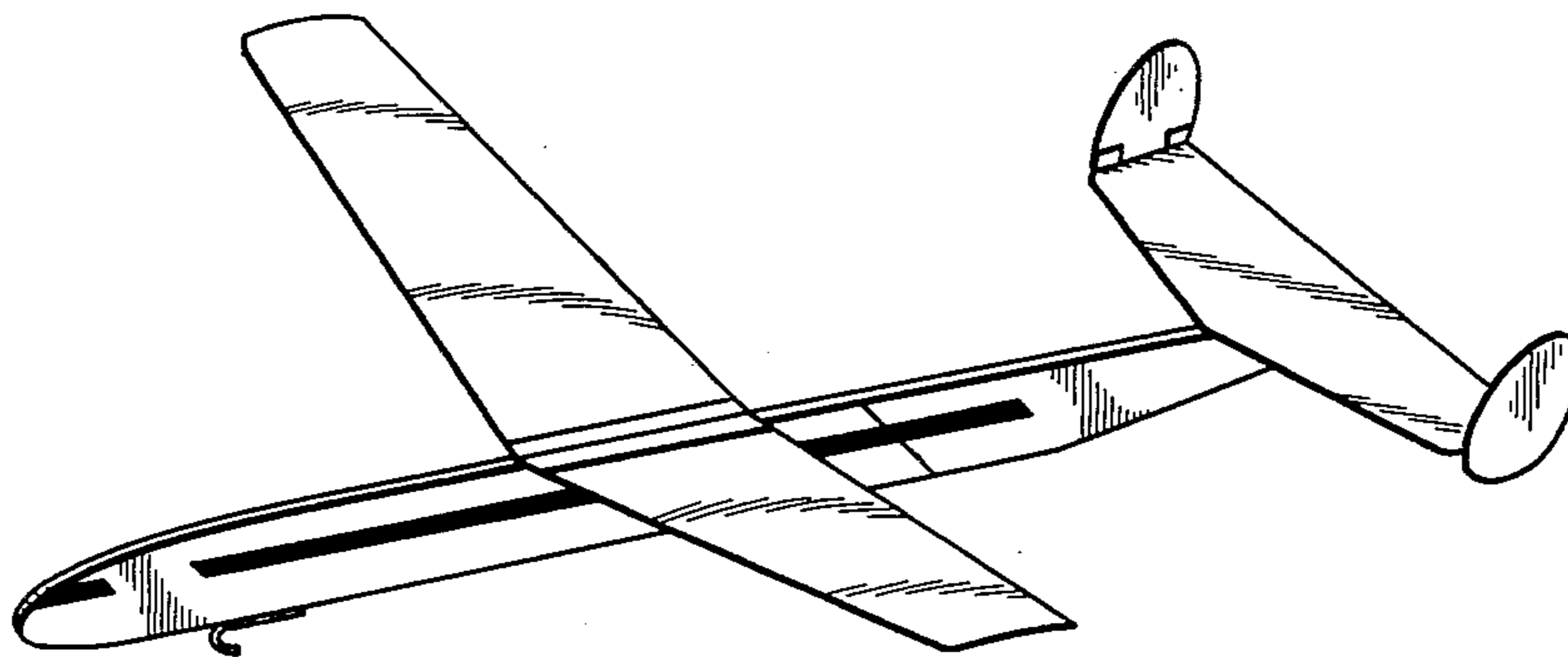


FIG. 1

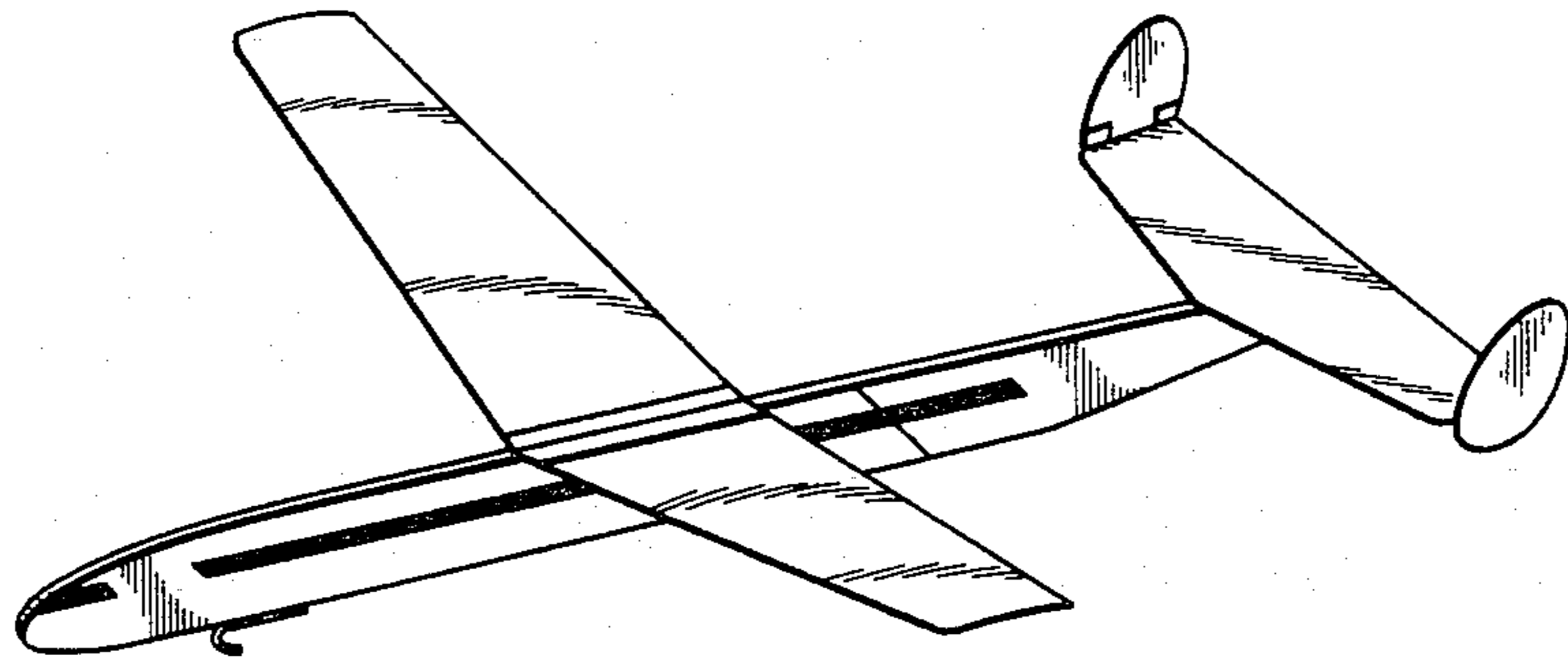


FIG. 2

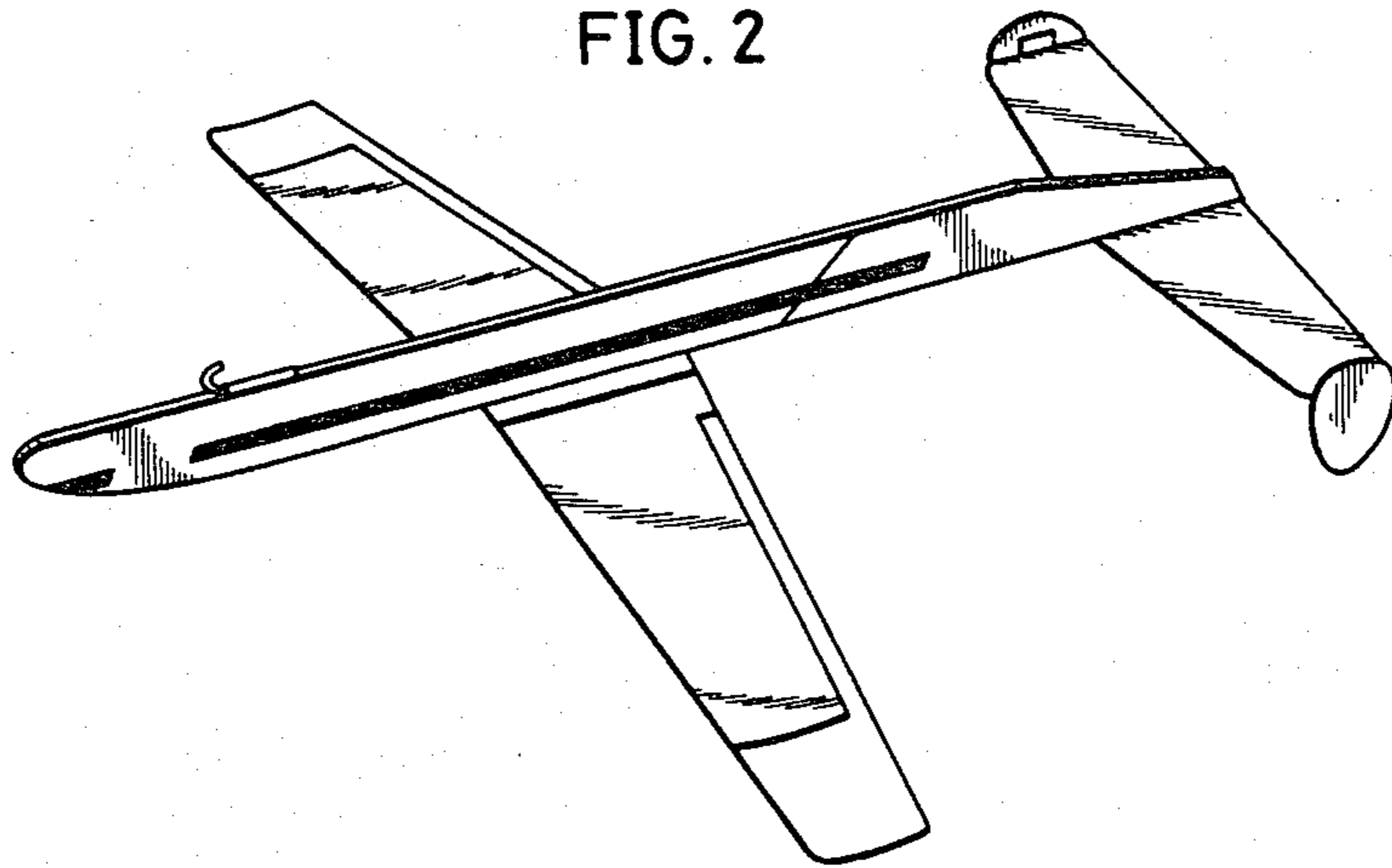


FIG. 3

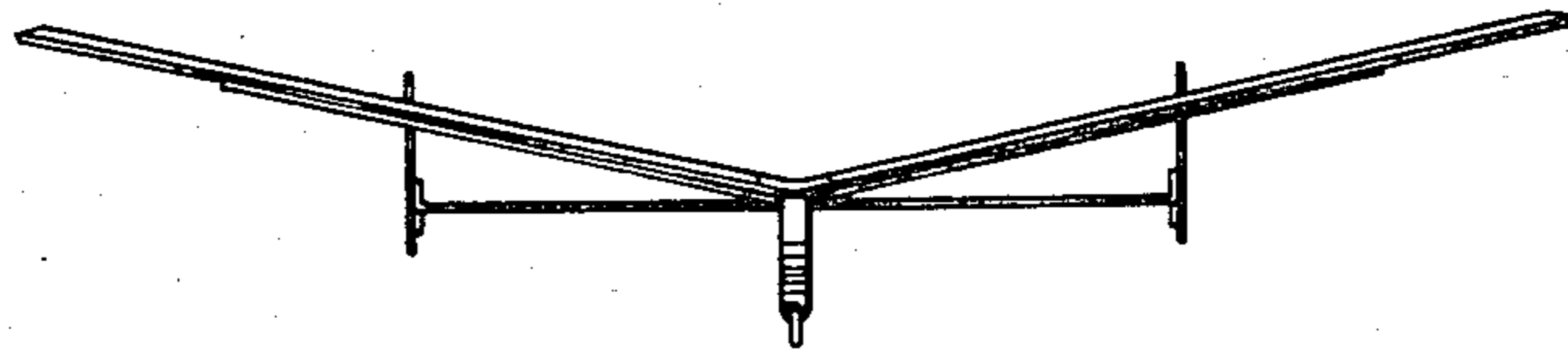


FIG. 4

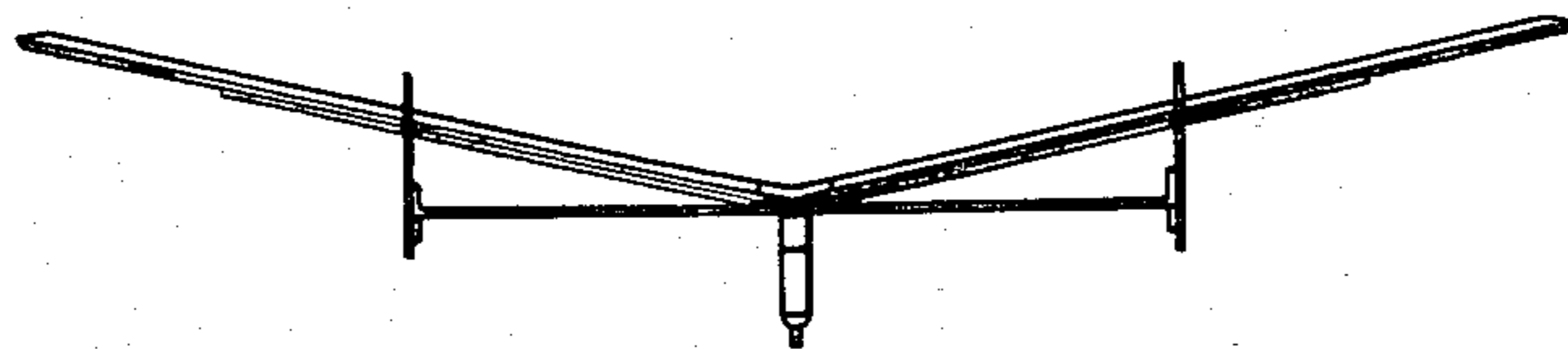


FIG. 5

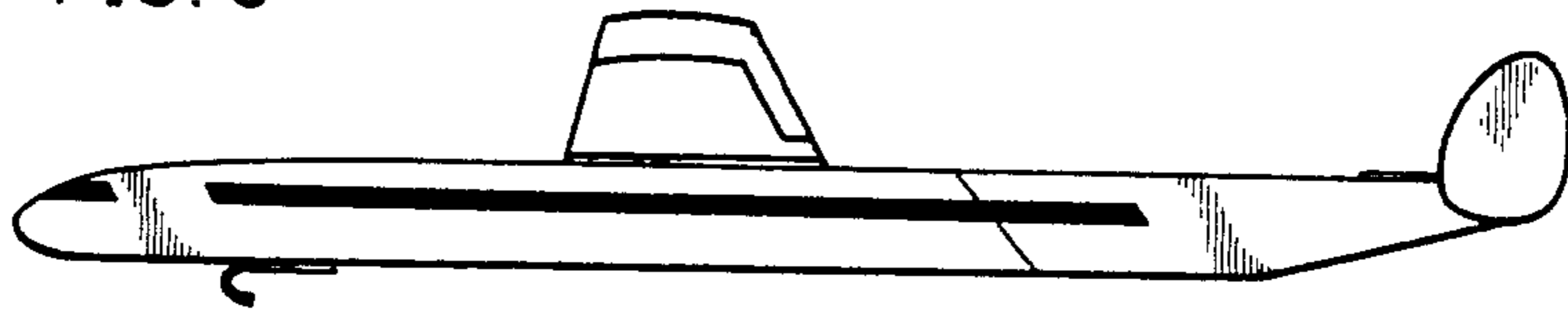


FIG. 6

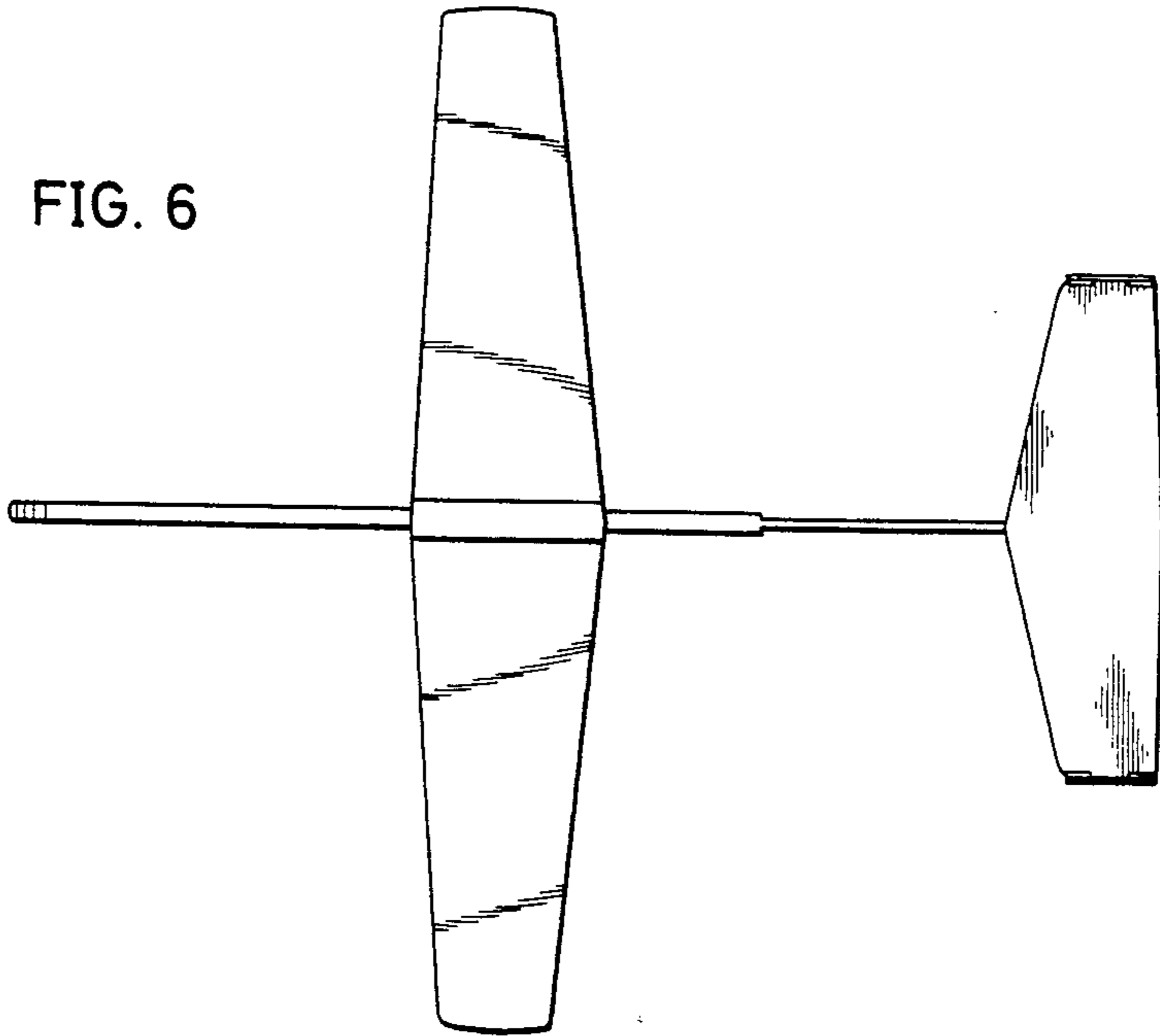


FIG. 7

