

[54] **INK JET PRINTER**

[75] **Inventors: Katsuhiko Ishida; Harumi Sakamoto,**
both of Osaka, Japan

[73] **Assignee: Sharp Corporation,** Osaka, Japan

[**] **Term: 14 Years**

[21] **Appl. No.: 452,838**

[22] **Filed: Dec. 23, 1982**

[30] **Foreign Application Priority Data**

Jul. 5, 1982 [JP] Japan 57-30409
[52] **U.S. Cl. D14/111**
[58] **Field of Search D14/100-116;**
D18/13, 23; 400/691, 693

[56] **References Cited**

U.S. PATENT DOCUMENTS

4,175,878 11/1979 Wing 400/693

OTHER PUBLICATIONS

Computer Design, 6-1980, p. 133, Qantex Impact Printer.

Radio Shack TRS-80™ Microcomputer Catalog RSC-3, ©1979, p. 17, TRS-80™ Line Printer III.

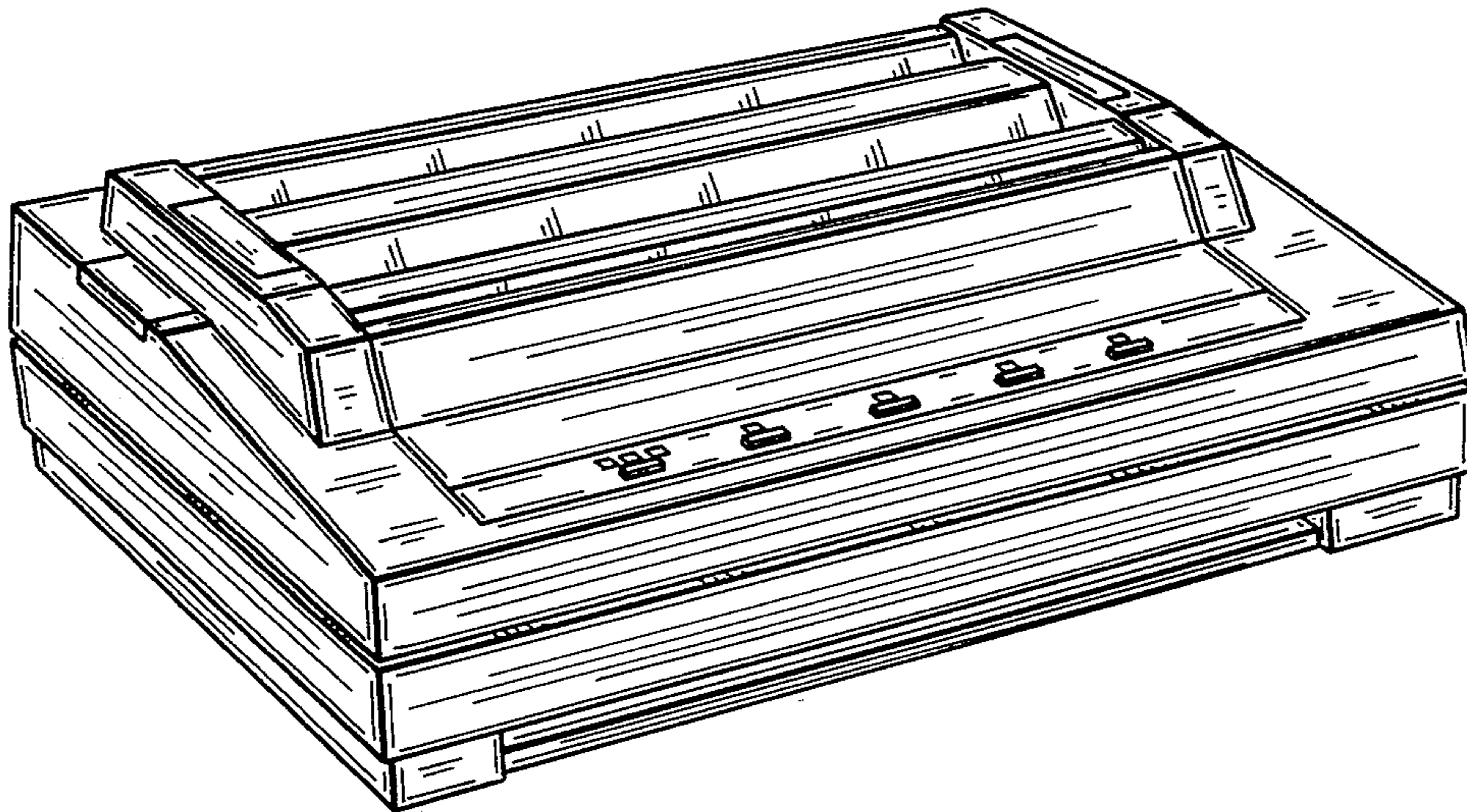
Primary Examiner—Susan J. Lucas
Attorney, Agent, or Firm—Flehr, Hohbach, Test, Albritton & Herbert

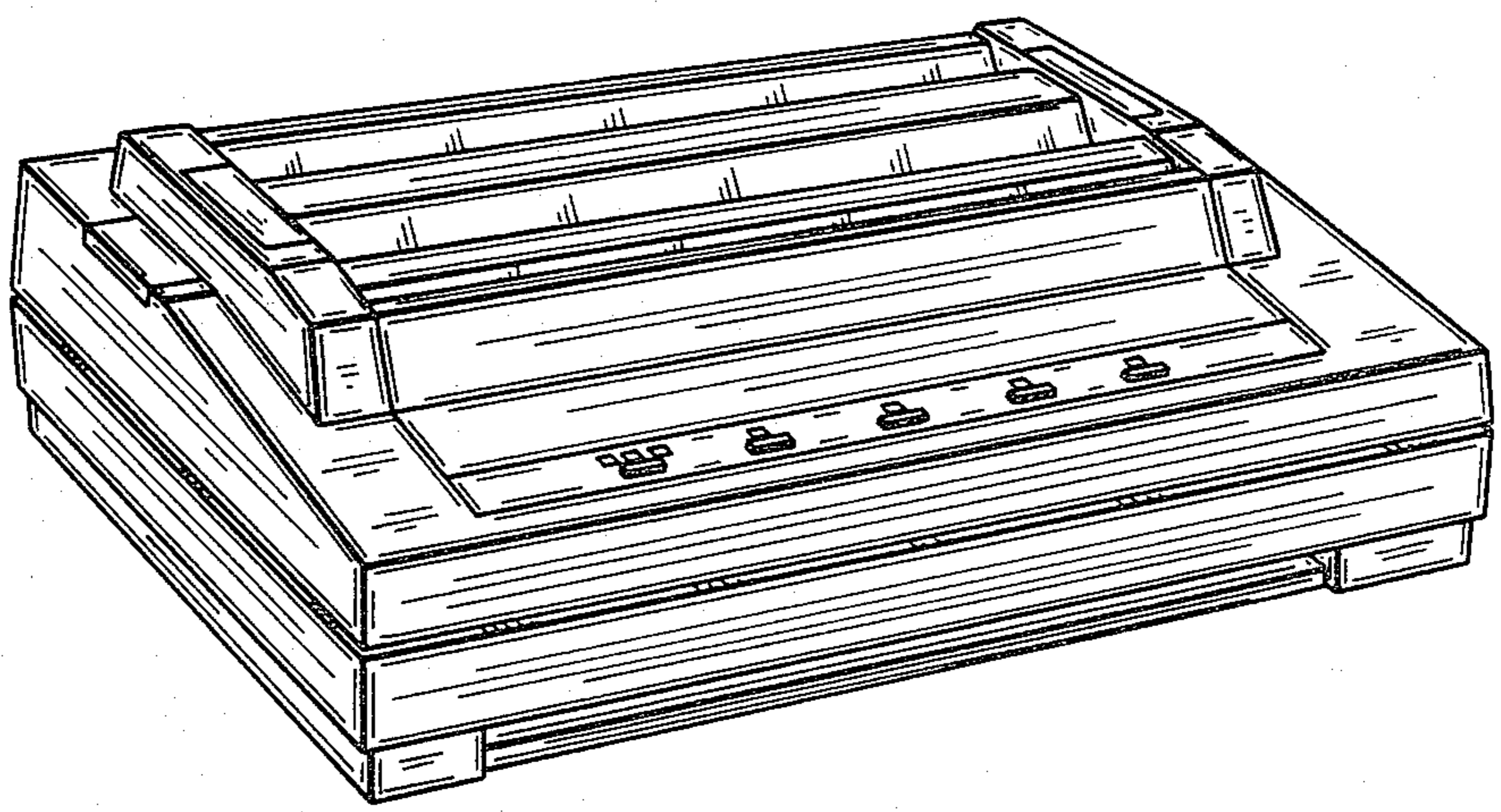
[57] **CLAIM**

The ornamental design for an ink jet printer, as shown and described.

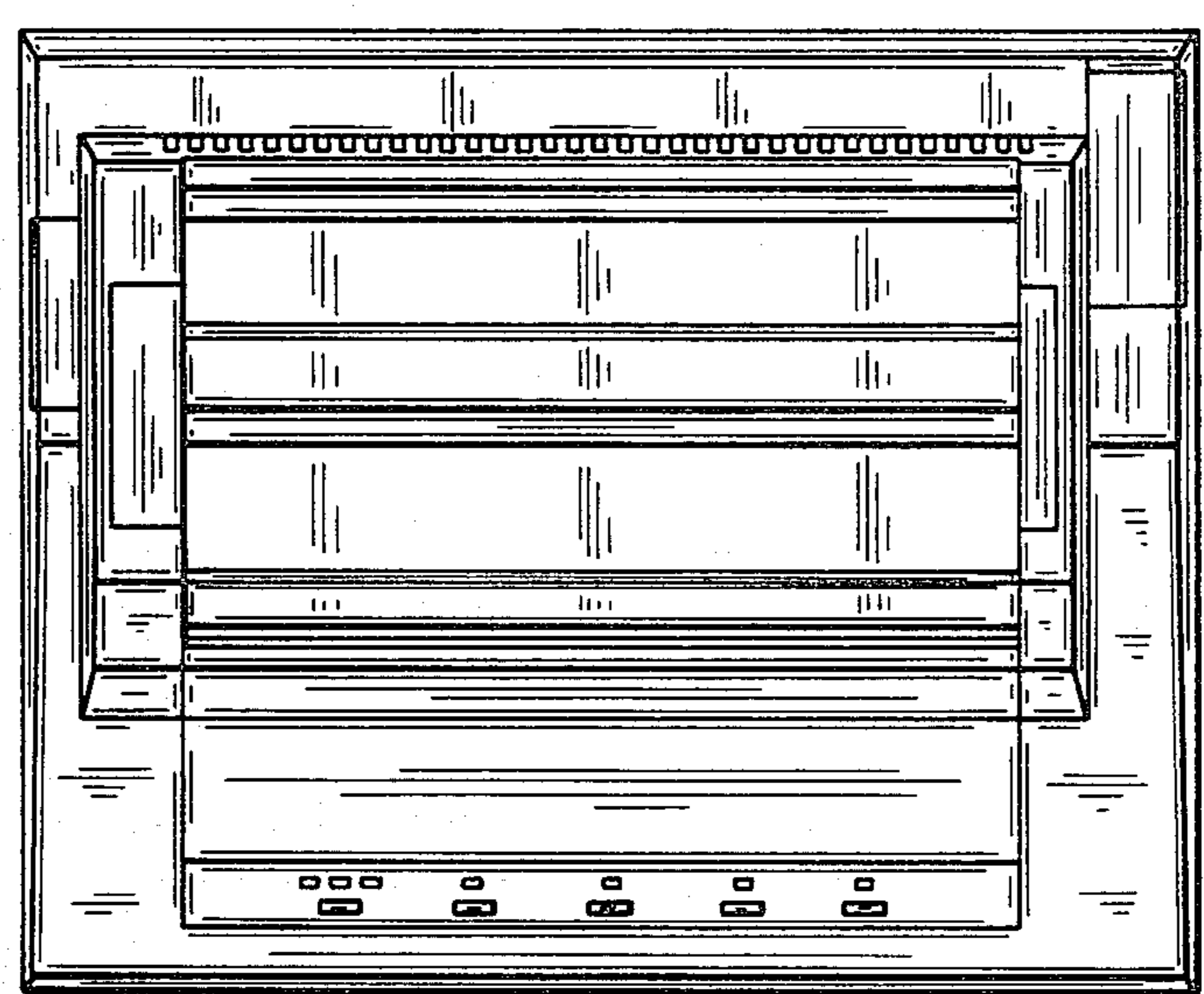
DESCRIPTION

FIG. 1 is a perspective view of the ink jet printer showing our new design;
FIG. 2 is a top plan view thereof;
FIG. 3 is a bottom plan view thereof;
FIG. 4 is a front elevational view thereof;
FIG. 5 is a rear elevational view thereof;
FIG. 6 is a right side elevational view thereof; and
FIG. 7 is a left side elevational view thereof.

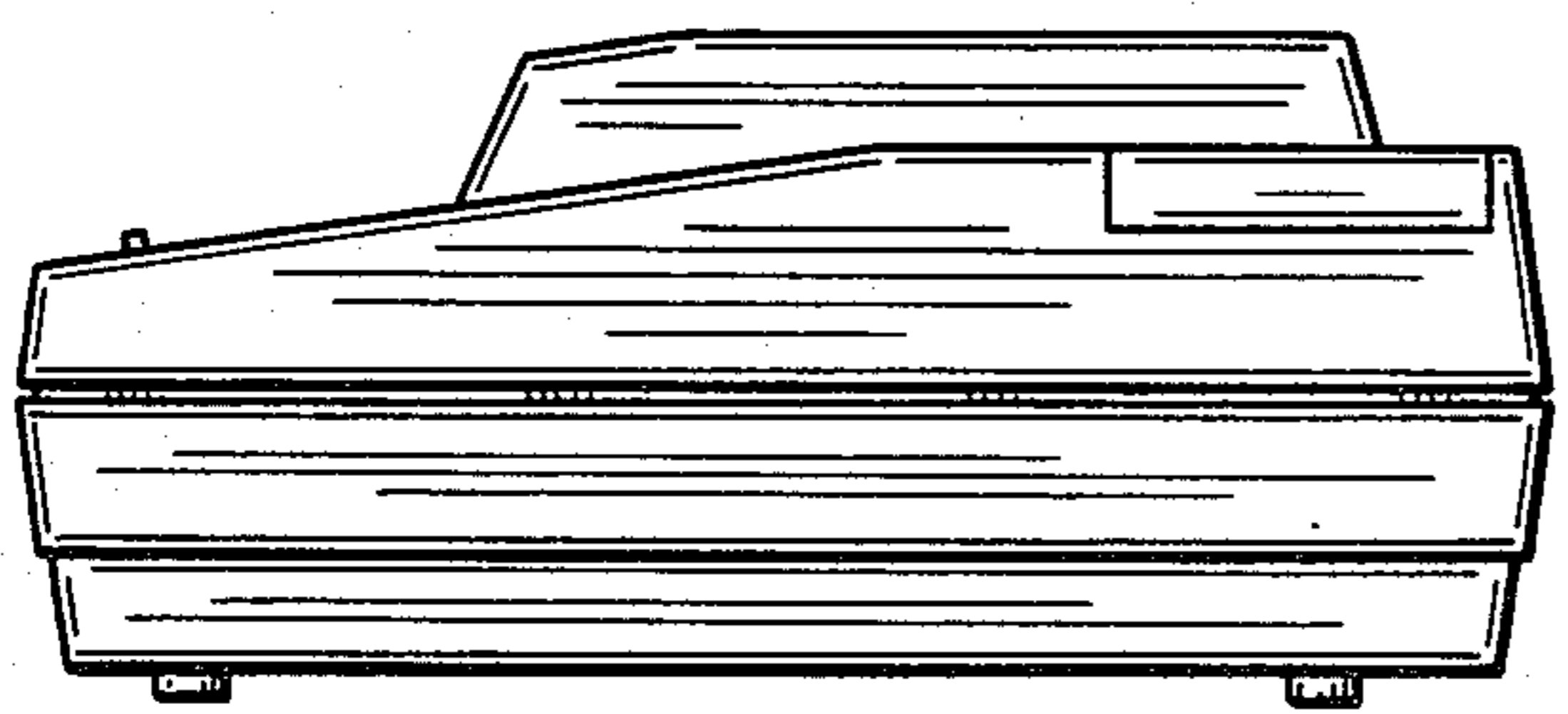




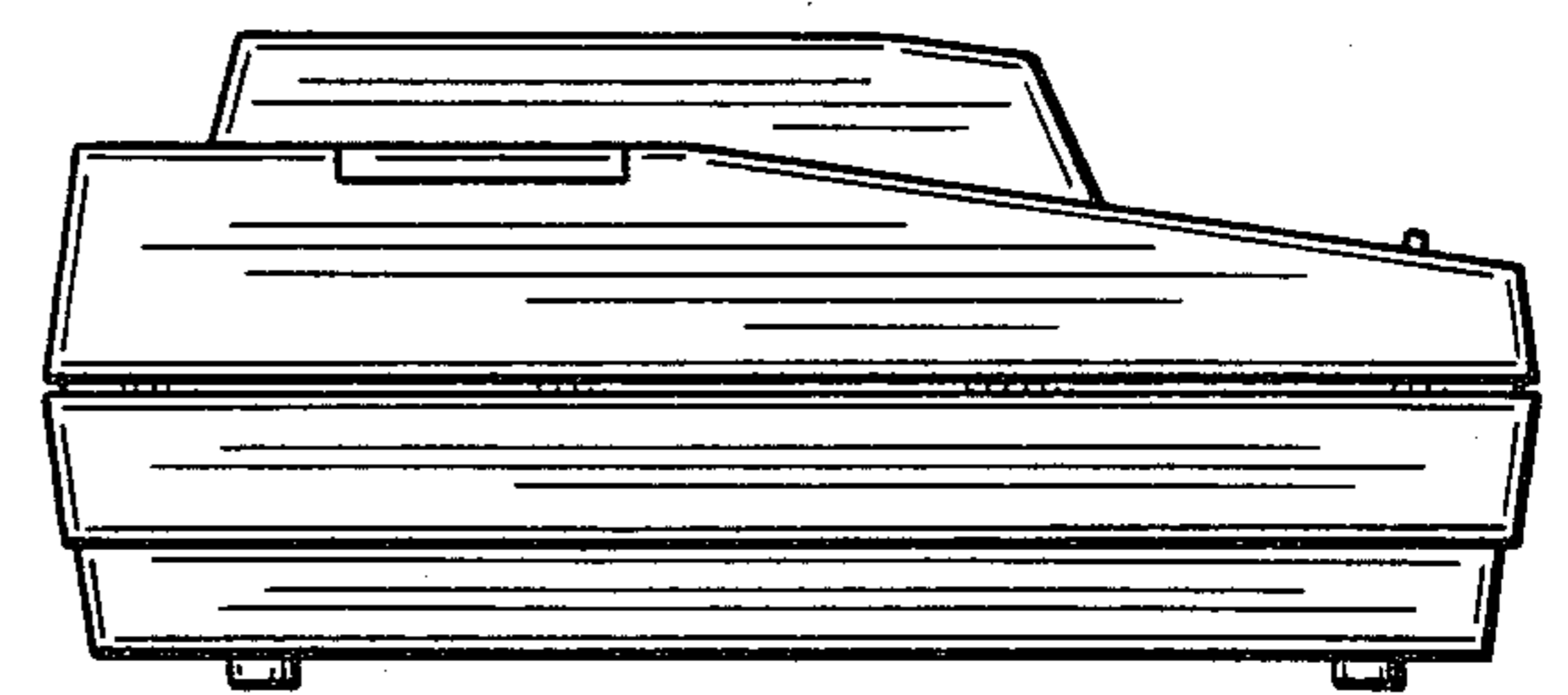
FIG_1



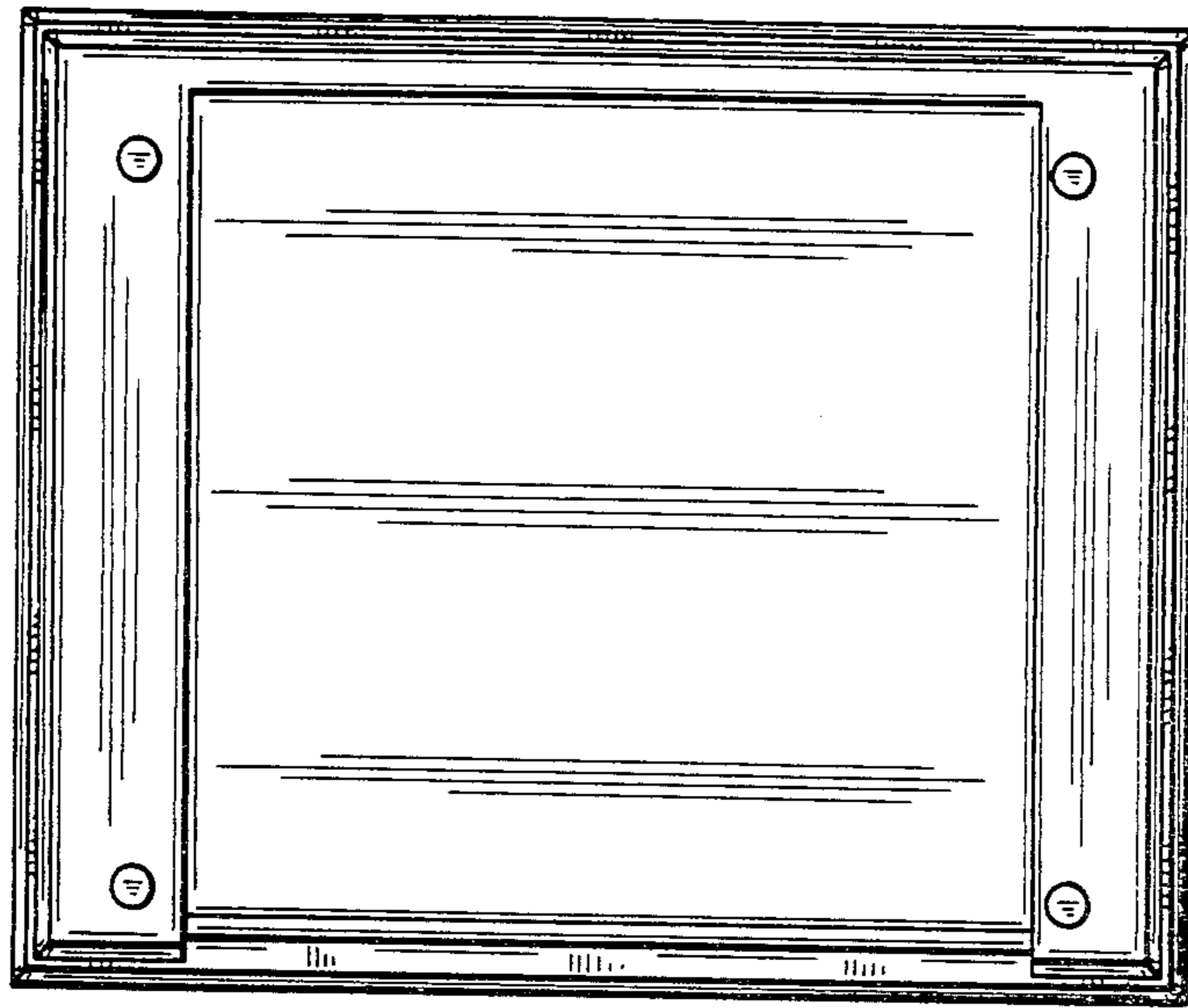
FIG_2



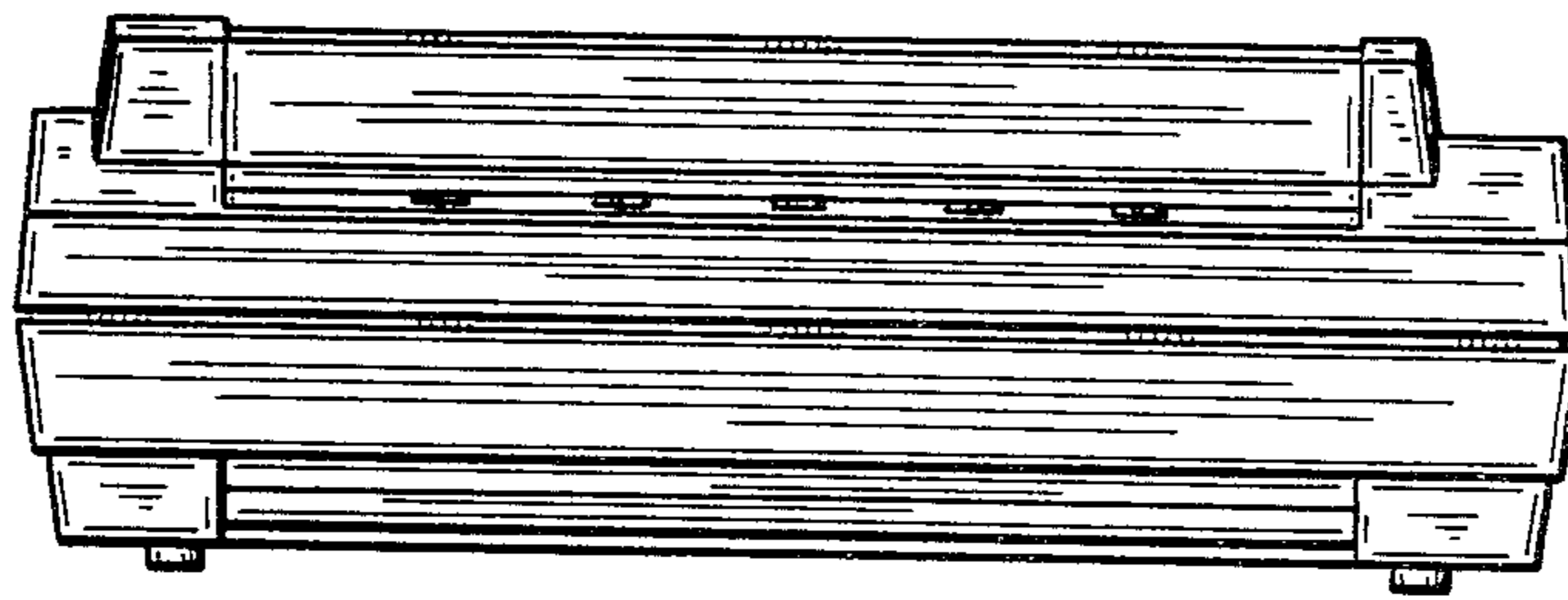
FIG_6



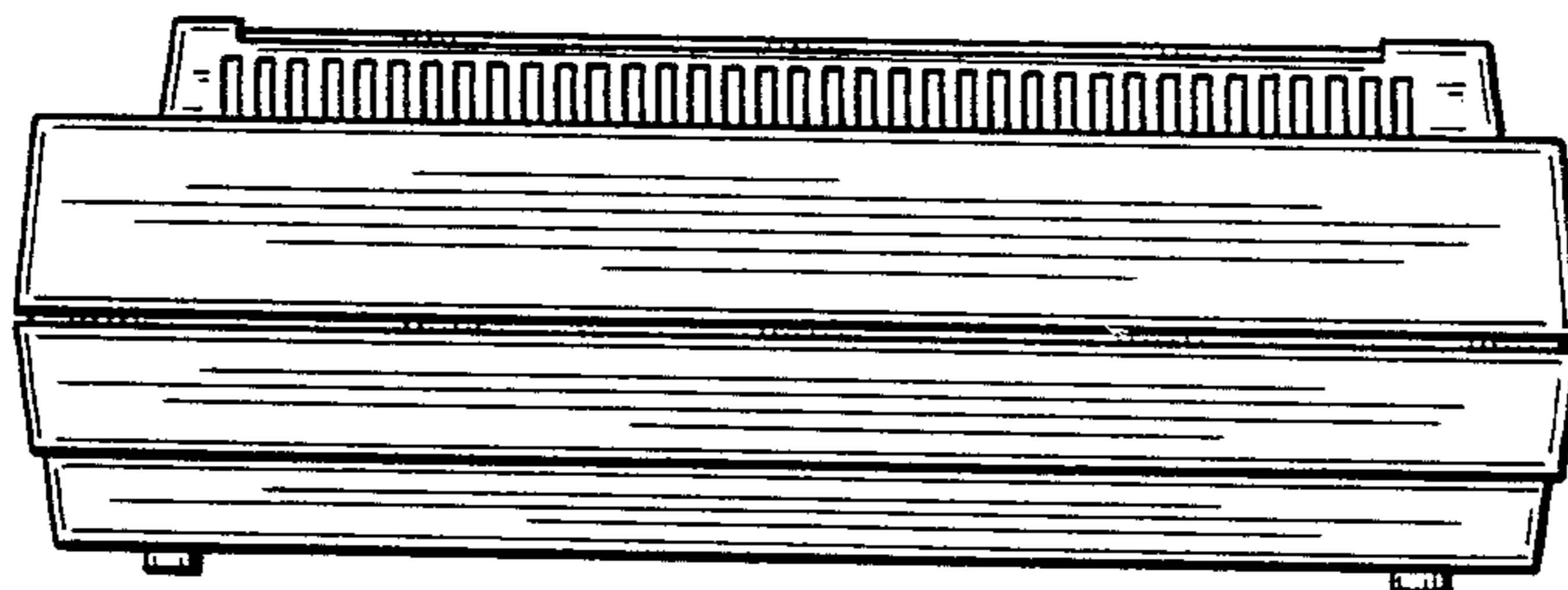
FIG_7



FIG_3



FIG_4



FIG_5