

[54] **KEYBOARD FOR A COMPUTER SYSTEM**

[75] **Inventor:** Eric G. Xanthopoulos, San Jose, Calif.

[73] **Assignee:** Cromemco Inc., Calif.

[\*\*] **Term:** 14 Years

[21] **Appl. No.:** 438,480

[22] **Filed:** Nov. 2, 1982

[52] **U.S. Cl.** ..... D14/100

[58] **Field of Search** ..... D14/100, 101, 105, 106, D14/107, 114, 115; 340/365 R; 235/145 R

[56] **References Cited**

**U.S. PATENT DOCUMENTS**

- D. 225,742 1/1973 Sims ..... D14/100
- D. 249,513 9/1978 Zierhut ..... D14/100

**OTHER PUBLICATIONS**

Lanier1# Typemaster# Brochure ©1981, front cover, Keyboard.

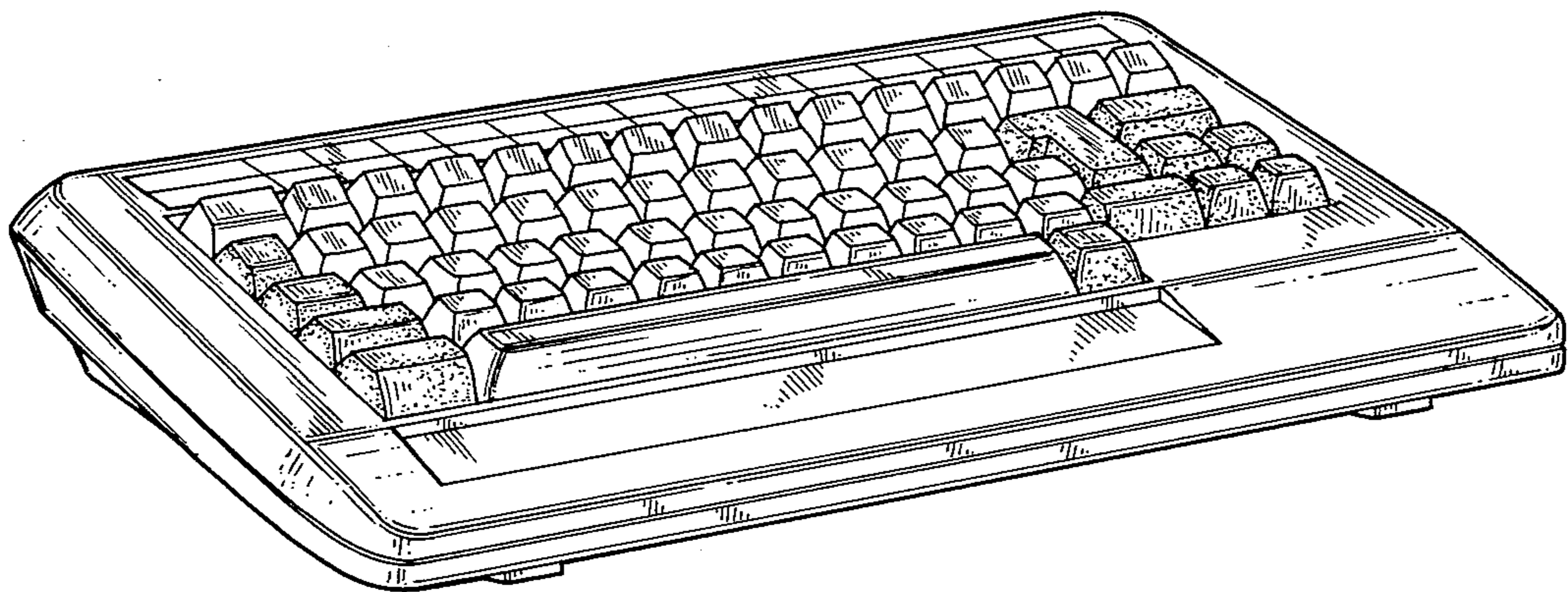
*Primary Examiner*—Susan J. Lucas  
*Attorney, Agent, or Firm*—Paul Hentzel

[57] **CLAIM**

The ornamental design for a keyboard for a computer system, as shown and described.

**DESCRIPTION**

FIG. 1 is a perspective view of the keyboard for a computer system showing the new design; FIG. 2 is a front view thereof; FIG. 3 is a side view thereof; FIG. 4 is a rear view thereof; FIG. 5 is a top view thereof; FIG. 6 is a bottom perspective view of the keyboard with the adjustable rear legs in an extended position; and FIG. 7 is a side view of the keyboard with the rear legs in an extended position.



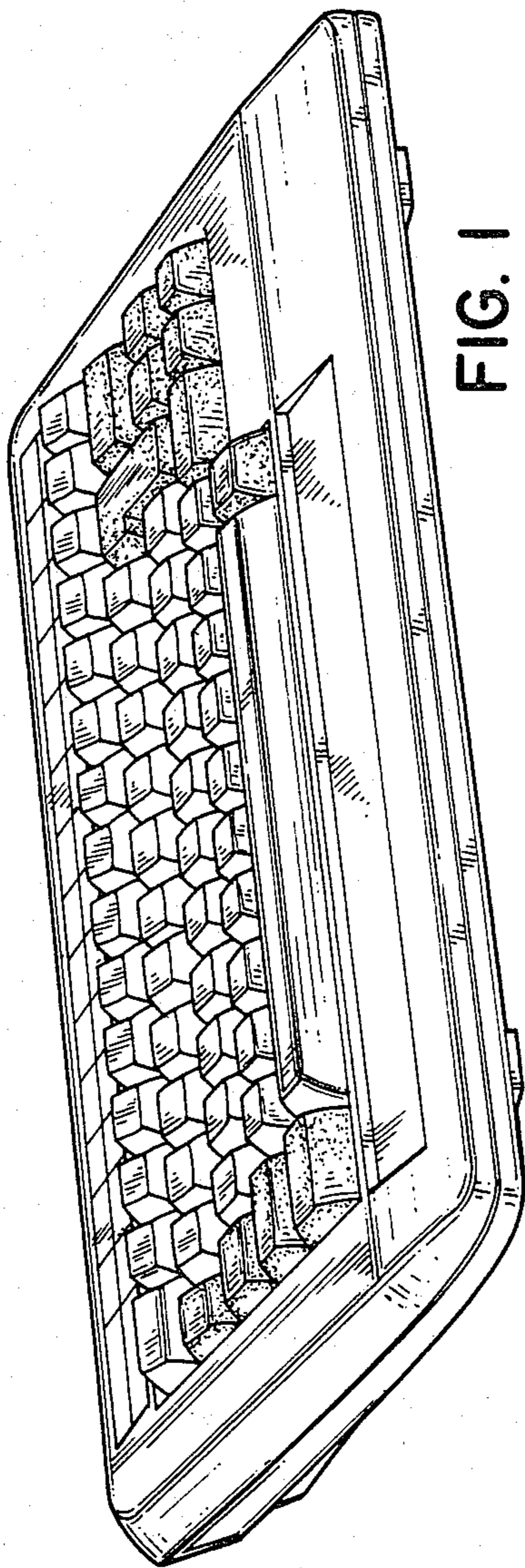


FIG. 1

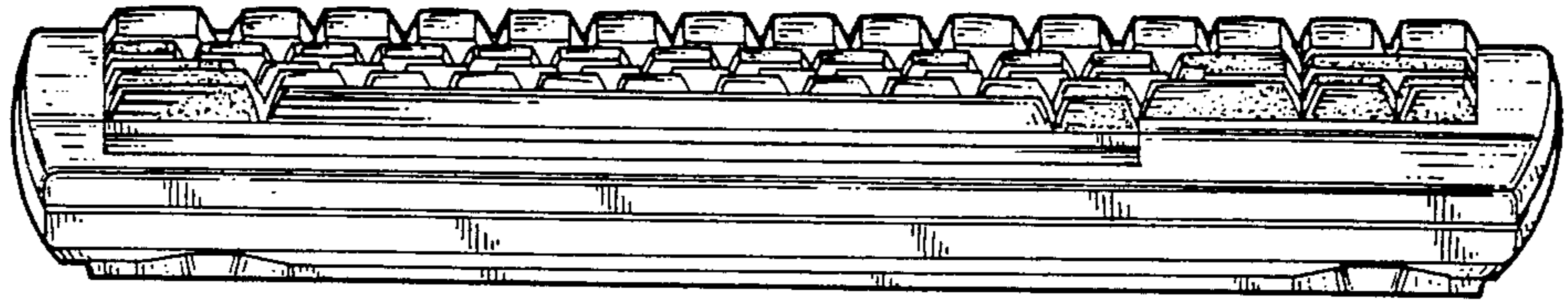


FIG. 2

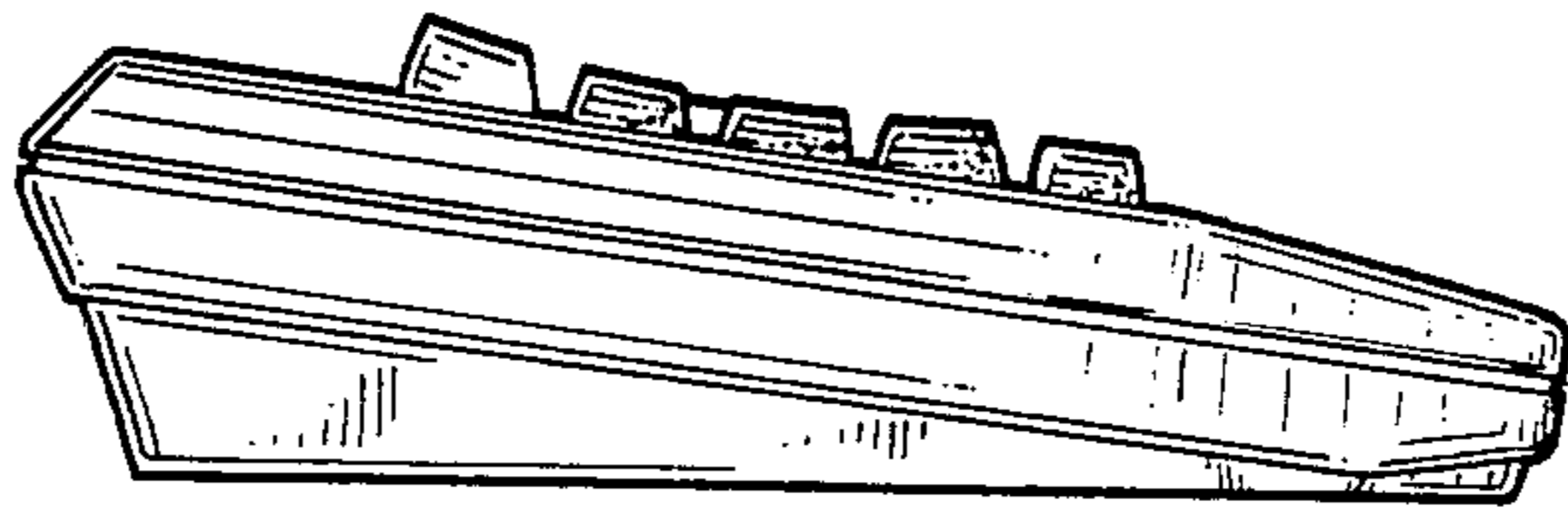


FIG. 3

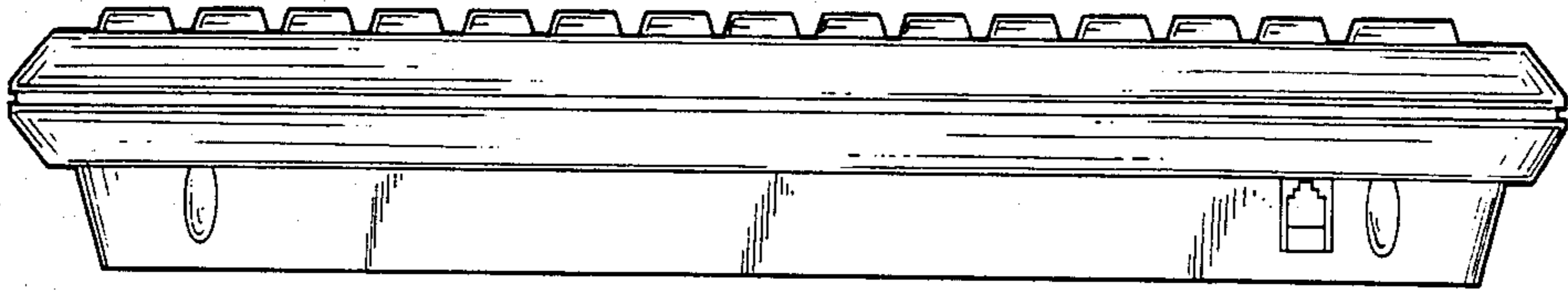


FIG. 4

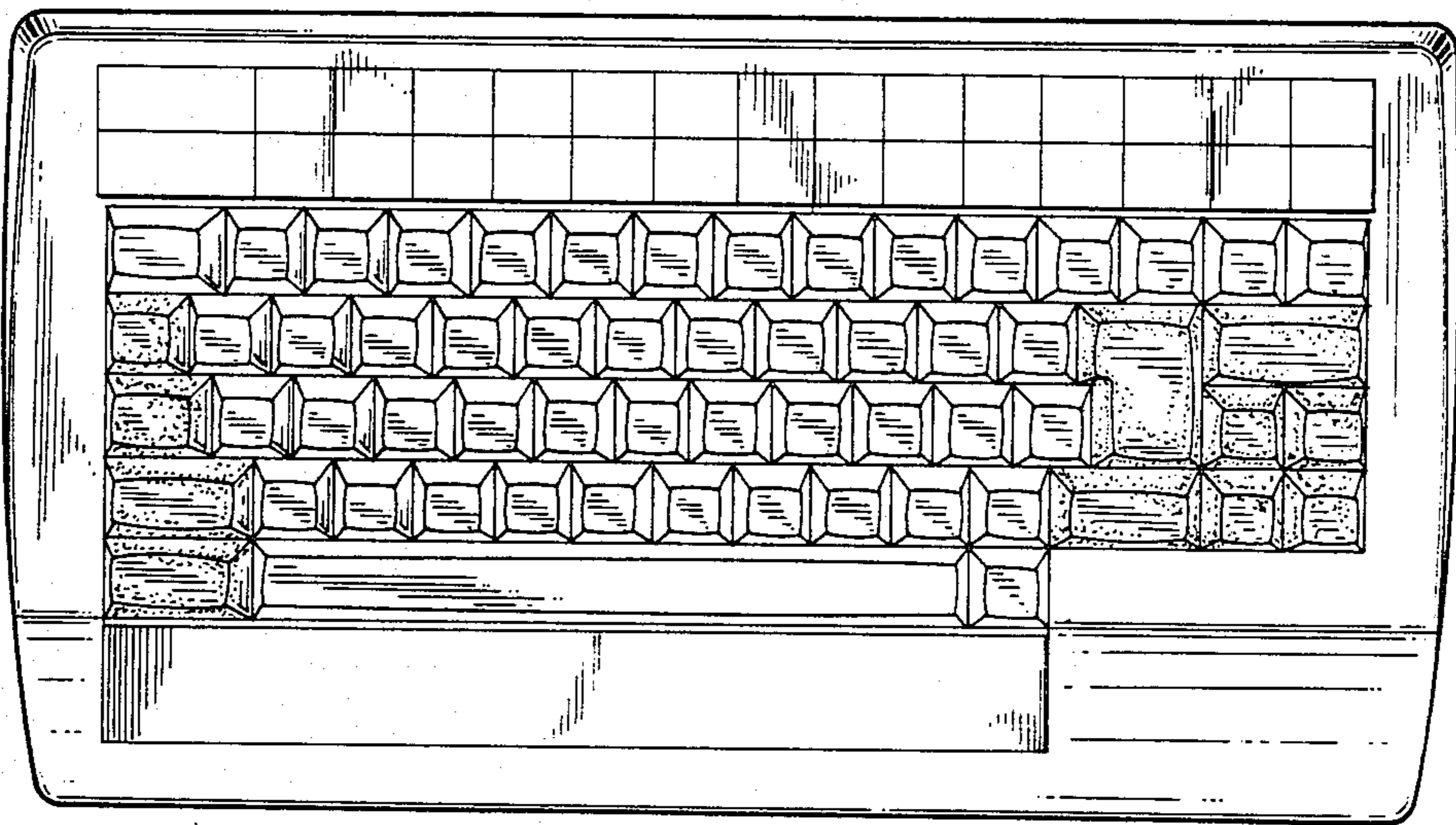


FIG. 5



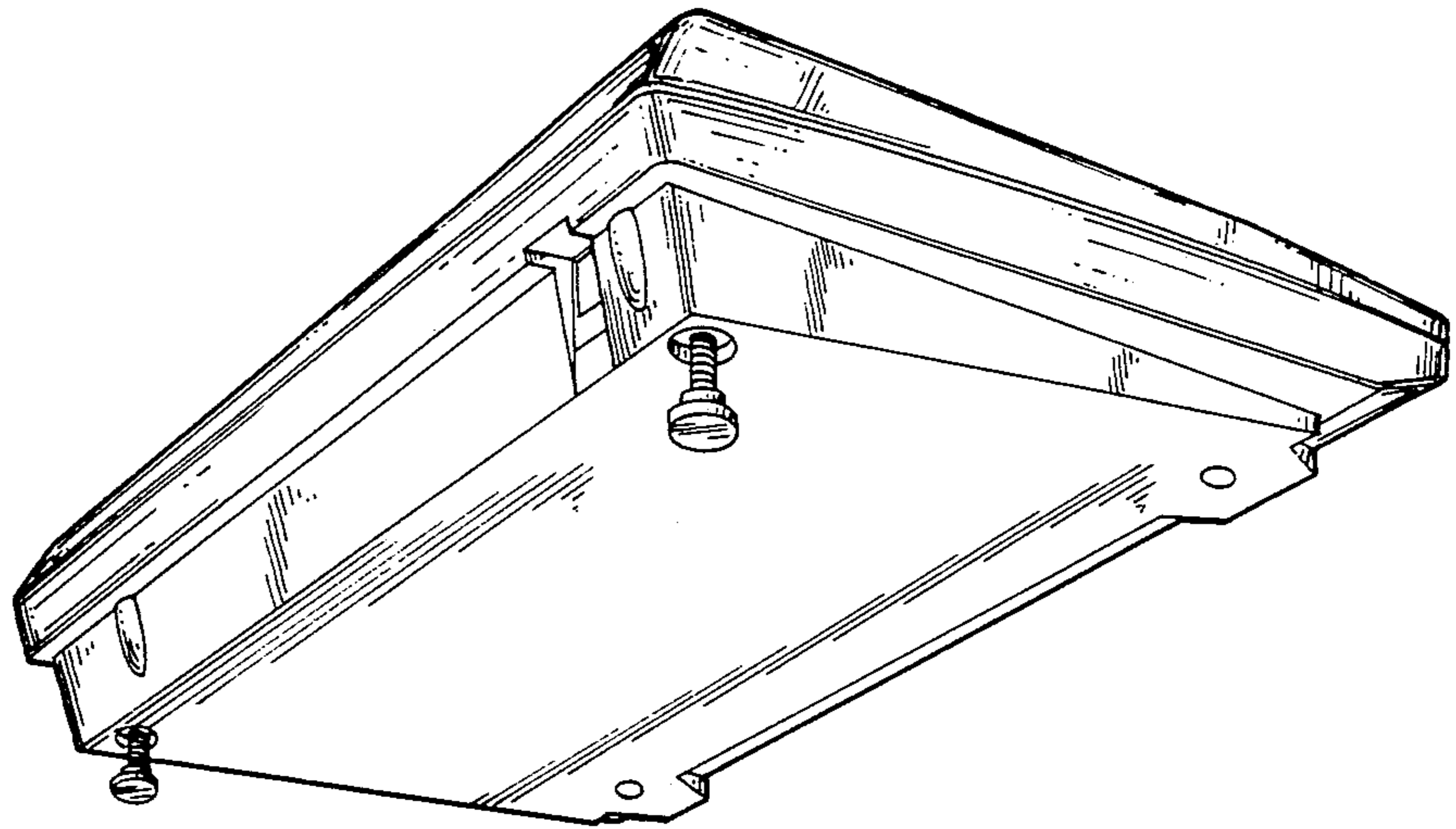


FIG. 6

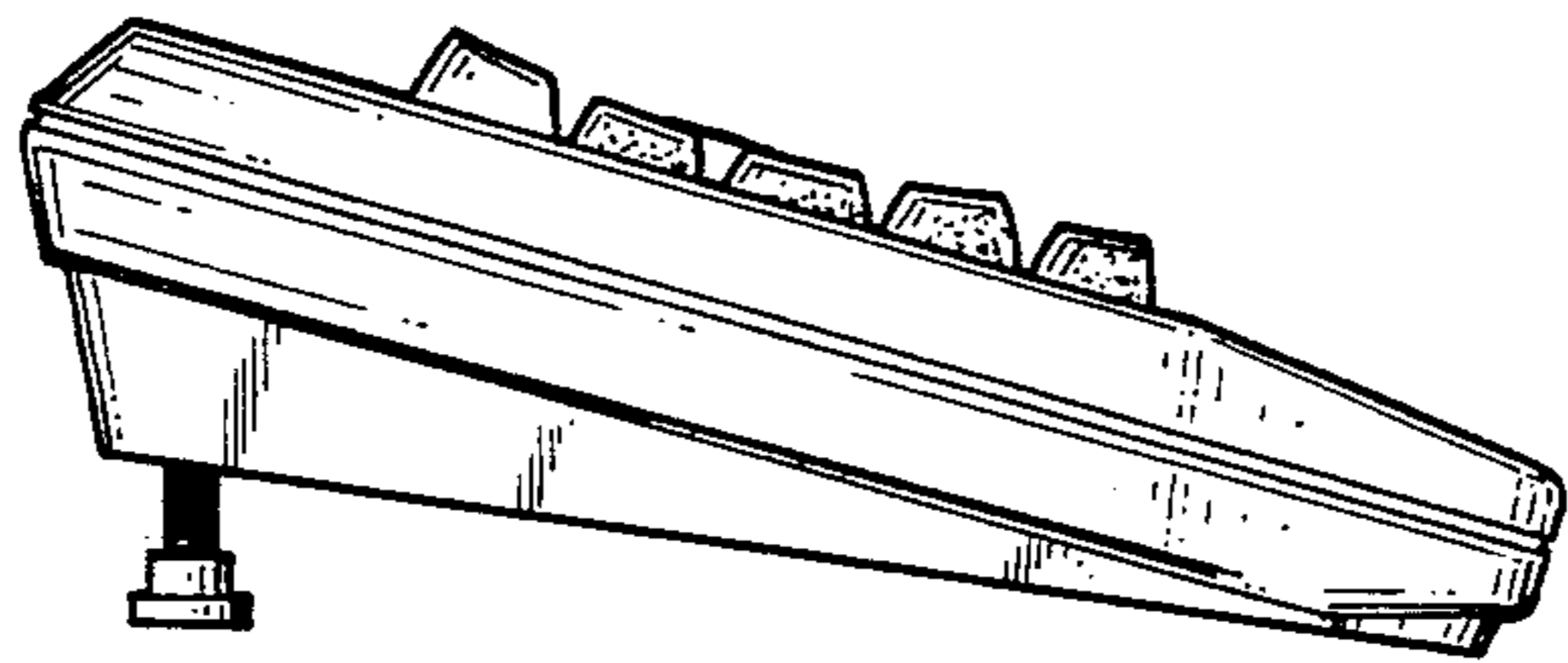


FIG. 7