

United States Patent [19]

Wan

[11] Patent Number: **Des. 278,701**

[45] Date of Patent: **** May 7, 1985**

[54] **ROTATOR PRIMARILY FOR A BARBECUE SPIT**

[75] Inventor: **Clement S. Wan, Hong Kong, Hong Kong**

[73] Assignee: **Landmann Limited, Kowloon, Hong Kong**

[*] Notice: The portion of the term of this patent subsequent to Dec. 21, 1999 has been disclaimed.

[**] Term: **14 Years**

[21] Appl. No.: **352,610**

[22] Filed: **Feb. 26, 1982**

[30] **Foreign Application Priority Data**

Sep. 9, 1981 [GB] United Kingdom 1002392

[52] U.S. Cl. **D13/2; D7/338**

[58] Field of Search **D7/338, 387, 388, 409, D7/402; 99/419, 420, 421 H, 421 HH, 421 R; D13/2**

[56] **References Cited**

U.S. PATENT DOCUMENTS

D. 183,914 11/1958 Chambers et al. D13/2
D. 230,937 3/1974 Bartsevich D13/2
D. 242,759 12/1976 Painter et al. D13/2
D. 259,322 5/1981 Lau D13/2
D. 267,303 12/1982 Wan D7/338

Primary Examiner—A. Hugo Word

Assistant Examiner—Lynn Wilder

Attorney, Agent, or Firm—Townsend and Townsend

[57] **CLAIM**

The ornamental design for a rotator primarily for a barbecue spit, as shown and described.

DESCRIPTION

FIG. 1 is a perspective view of a rotator primarily for a barbecue spit showing my new design;

FIG. 2 is a side elevational view thereof;

FIG. 3 is a bottom plan view thereof; and

FIG. 4 is a rear elevational view thereof.

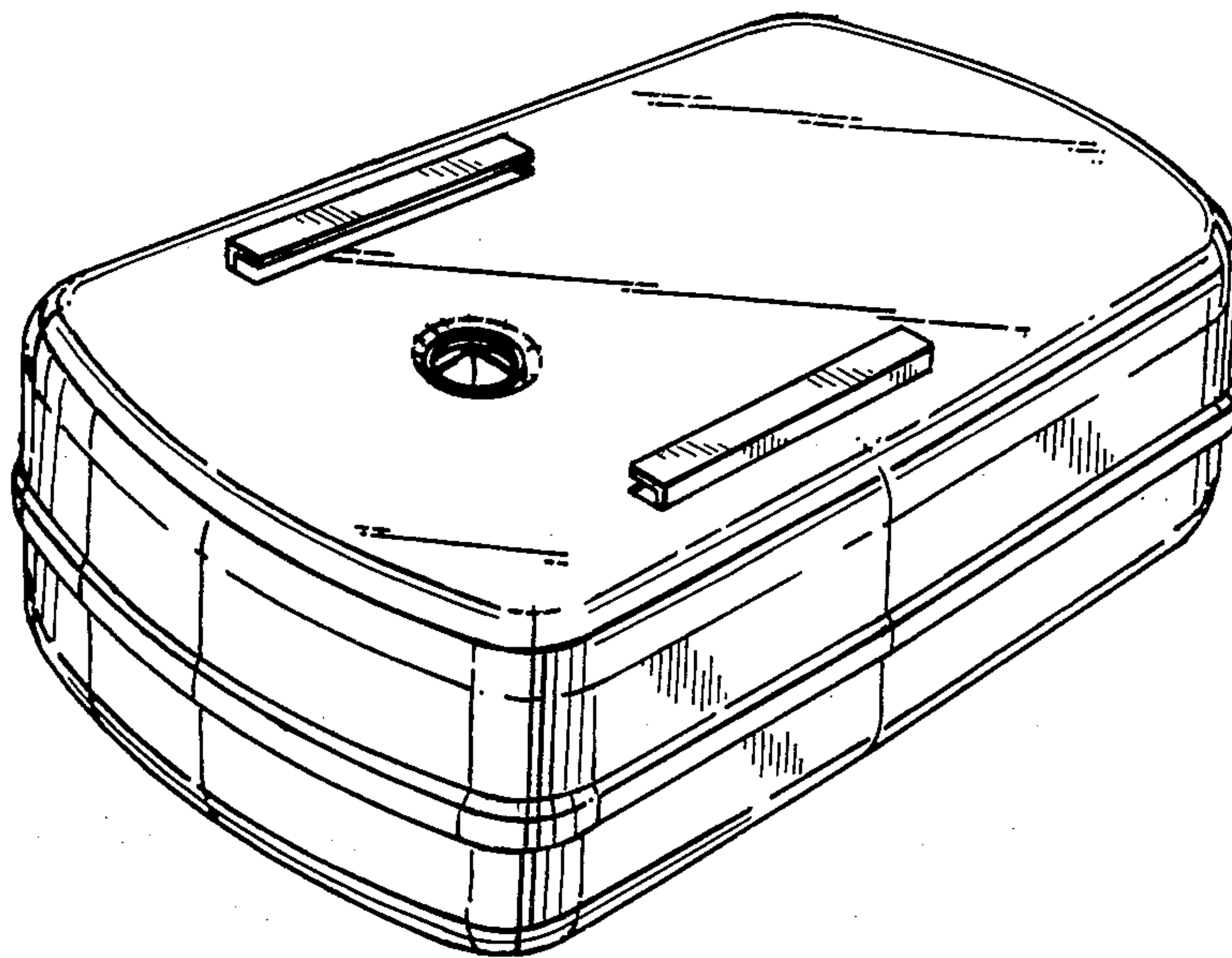


FIG. 1.

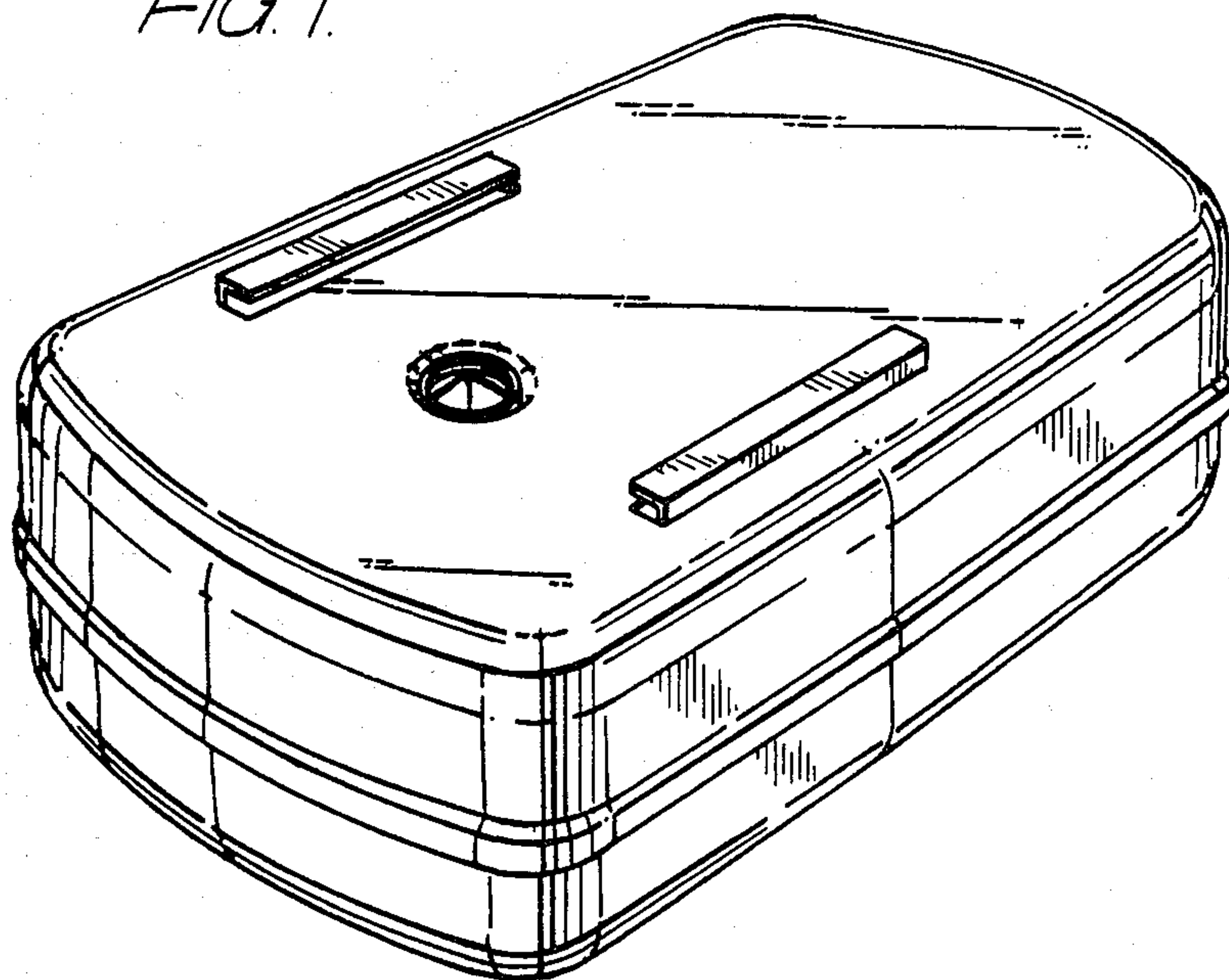


FIG. 2.

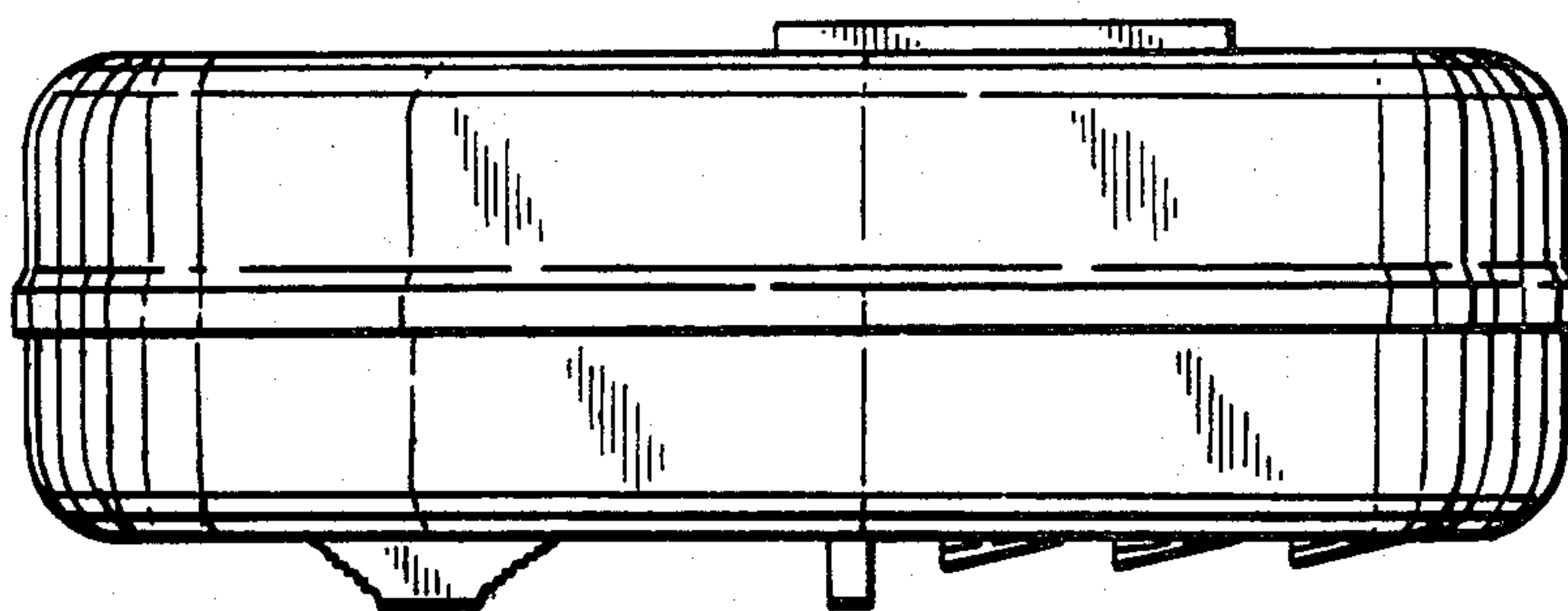


FIG. 3.

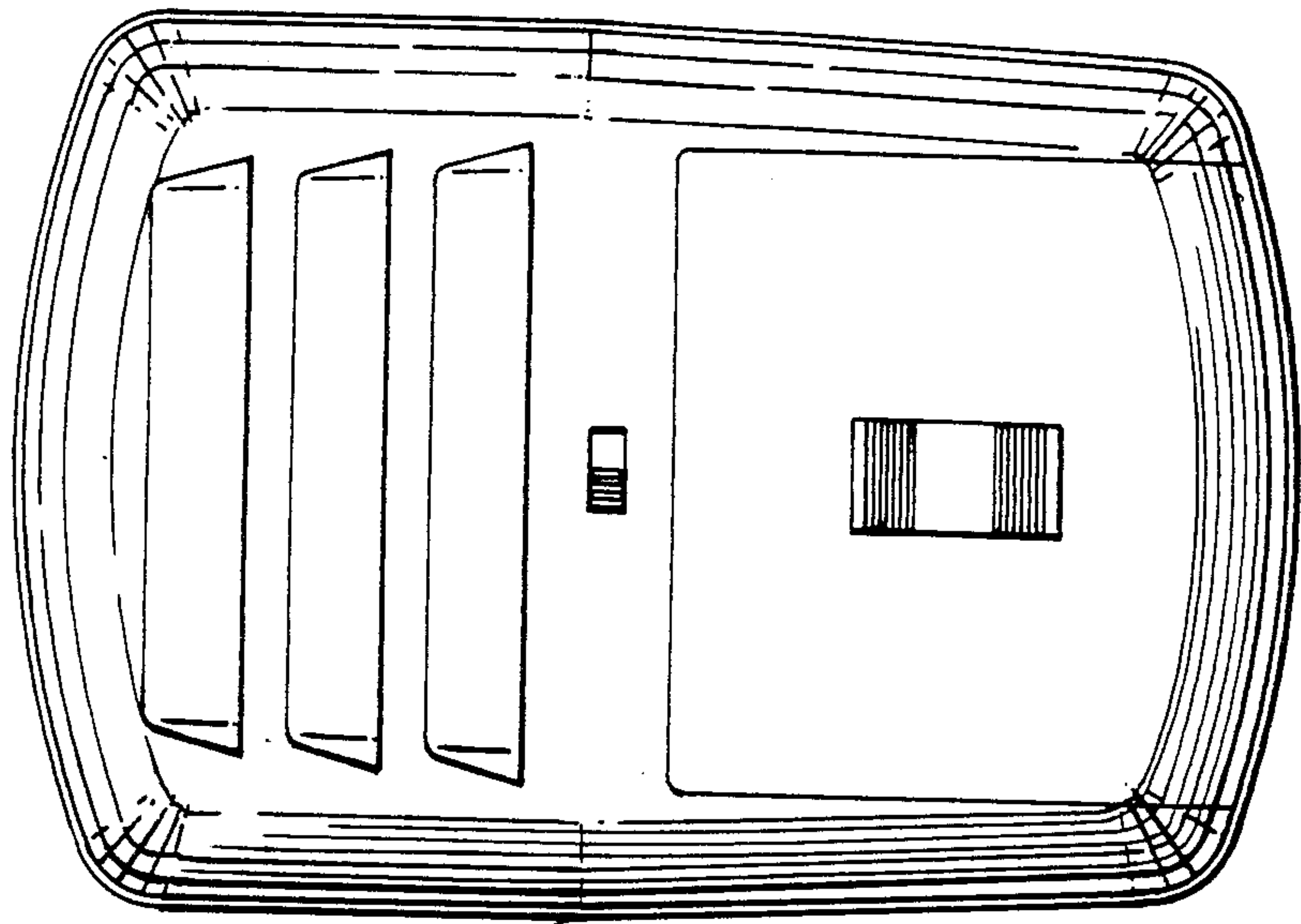


FIG. 4.

