

[54] **PANNIER CARRIER FOR THE FRONT WHEEL OF A BICYCLE**

[76] **Inventor: James R. Blackburn, 303 Casitas Bulevar, Los Gatos, Calif. 95030**

[**] **Term: 14 Years**

[21] **Appl. No.: 263,777**

[22] **Filed: May 15, 1981**

[52] **U.S. Cl. D12/158**

[58] **Field of Search D12/158; 224/32 A, 33 R, 224/35, 39**

[56] **References Cited**

U.S. PATENT DOCUMENTS

4,328,914 5/1982 Michaud 224/32 A

OTHER PUBLICATIONS

Blackburn Touring Performance Products Brochure, FR-1 Front Wheel Carrier, rear cover of brochure.
American Bicyclist & Motorcyclist, 11/80, p. 48, Showa Rear Carrier Rack, top center of page.
American Bicyclist & Motorcyclist, 11/80, p. 56, JPR Pannier Carrier, center right side of page.

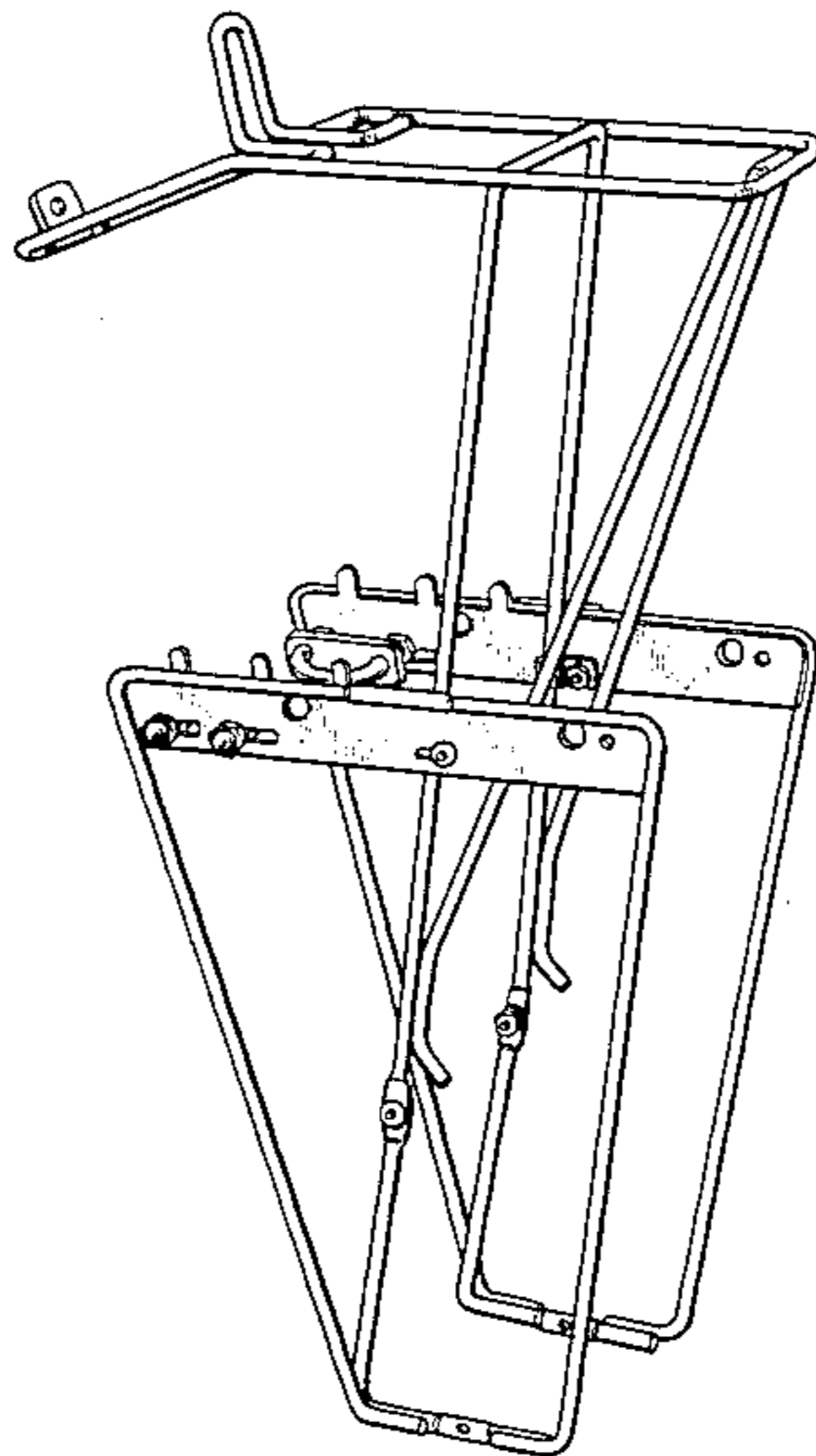
Primary Examiner—James M. Gandy
Attorney, Agent, or Firm—Hamrick, Hoffman, Guillot & Kazubowski

[57] **CLAIM**

The ornamental design for a pannier carrier for the front wheel of a bicycle, substantially as shown and described.

DESCRIPTION

FIG. 1 is a perspective view illustrating a pannier carrier for the front wheel of a bicycle in accordance with my new design;
FIG. 2 is a side elevational view showing the opposite side thereof;
FIG. 3 is a top plan view thereof;
FIG. 4 is a front elevational view thereof;
FIG. 5 is a perspective view of a pannier carrier for the front wheel of a bicycle showing a second embodiment of my new design;
FIG. 6 is a top plan view of FIG. 5;
FIG. 7 is a front elevational view of FIG. 5;
FIG. 8 is a perspective view of a pannier carrier for the front wheel of a bicycle showing a third embodiment of my new design; and
FIG. 9 is a top plan view of FIG. 8.



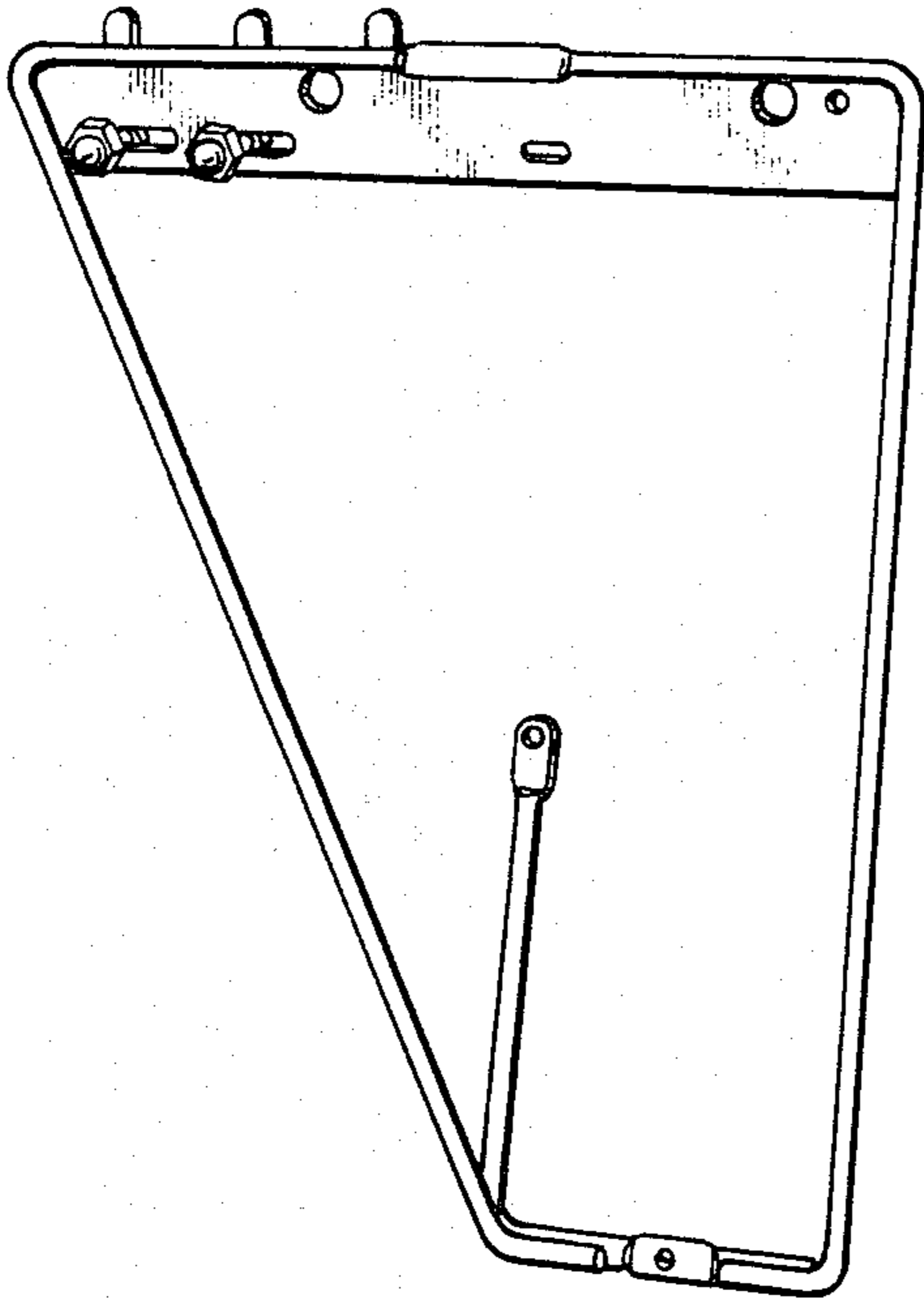


Fig-1

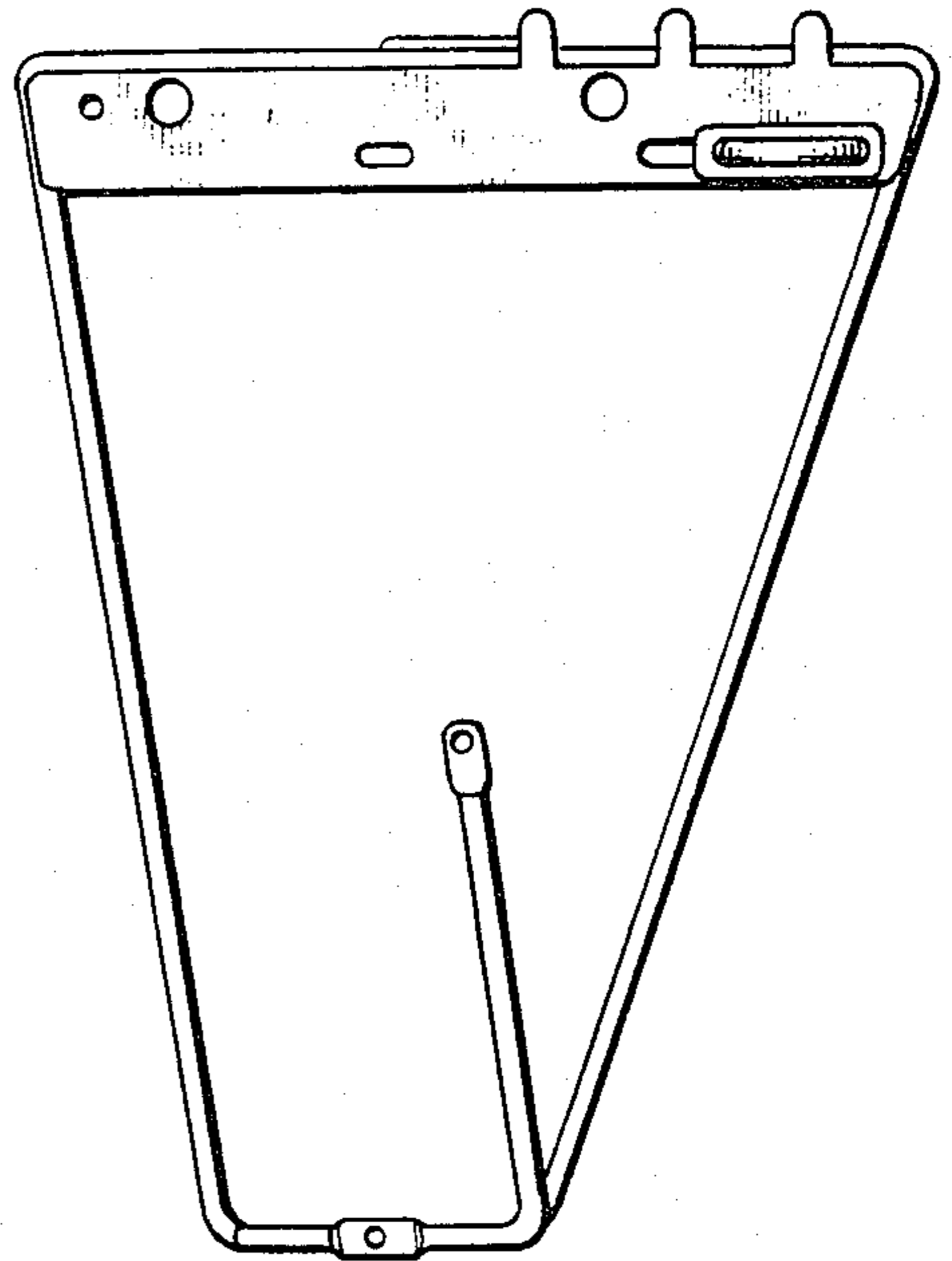


Fig-2

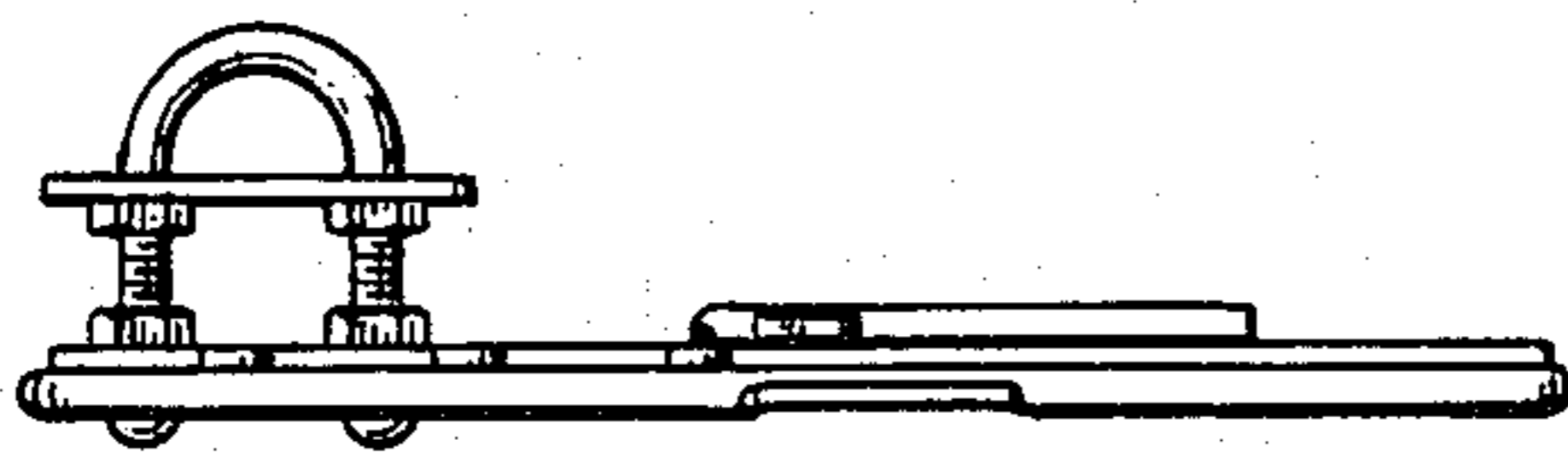


Fig-3

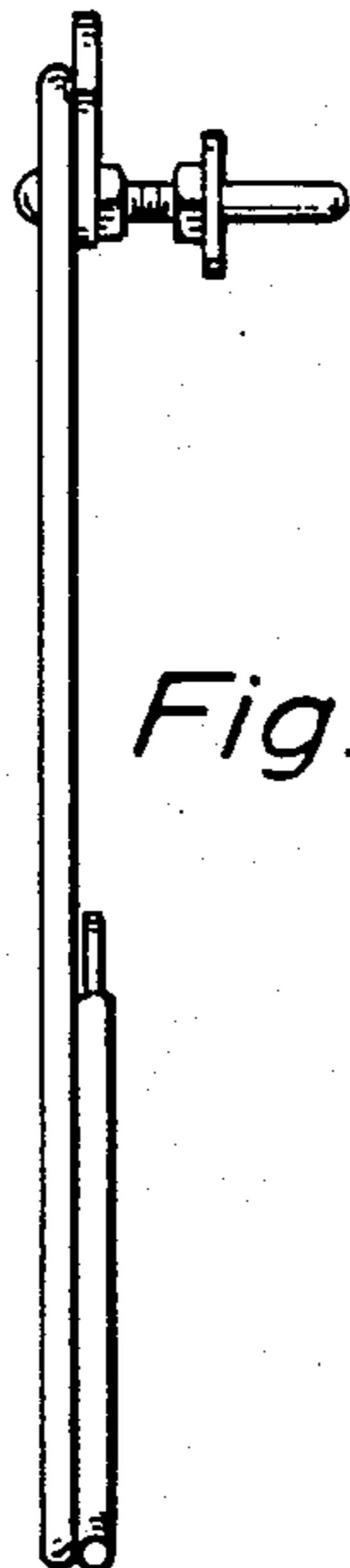


Fig-4

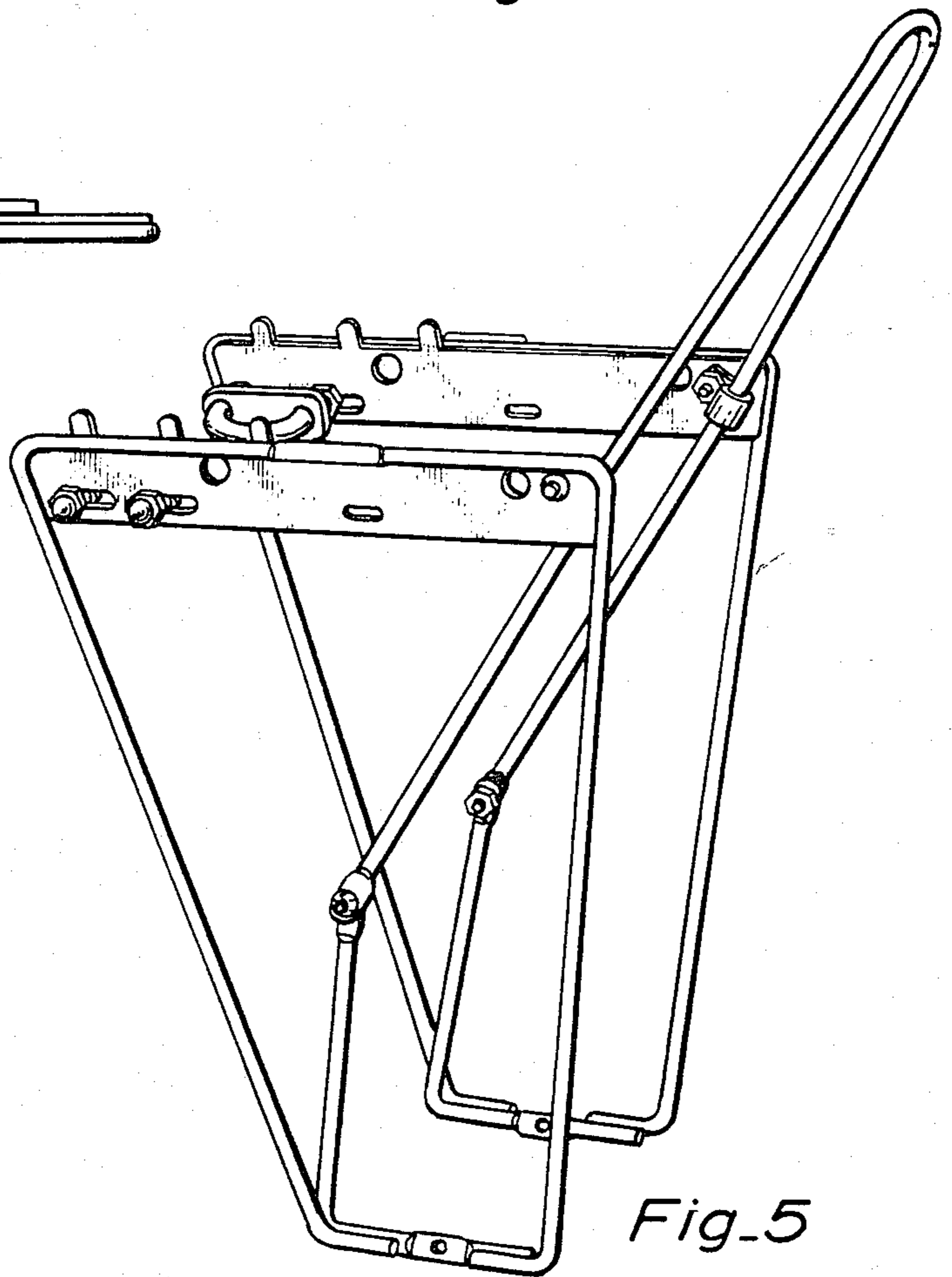
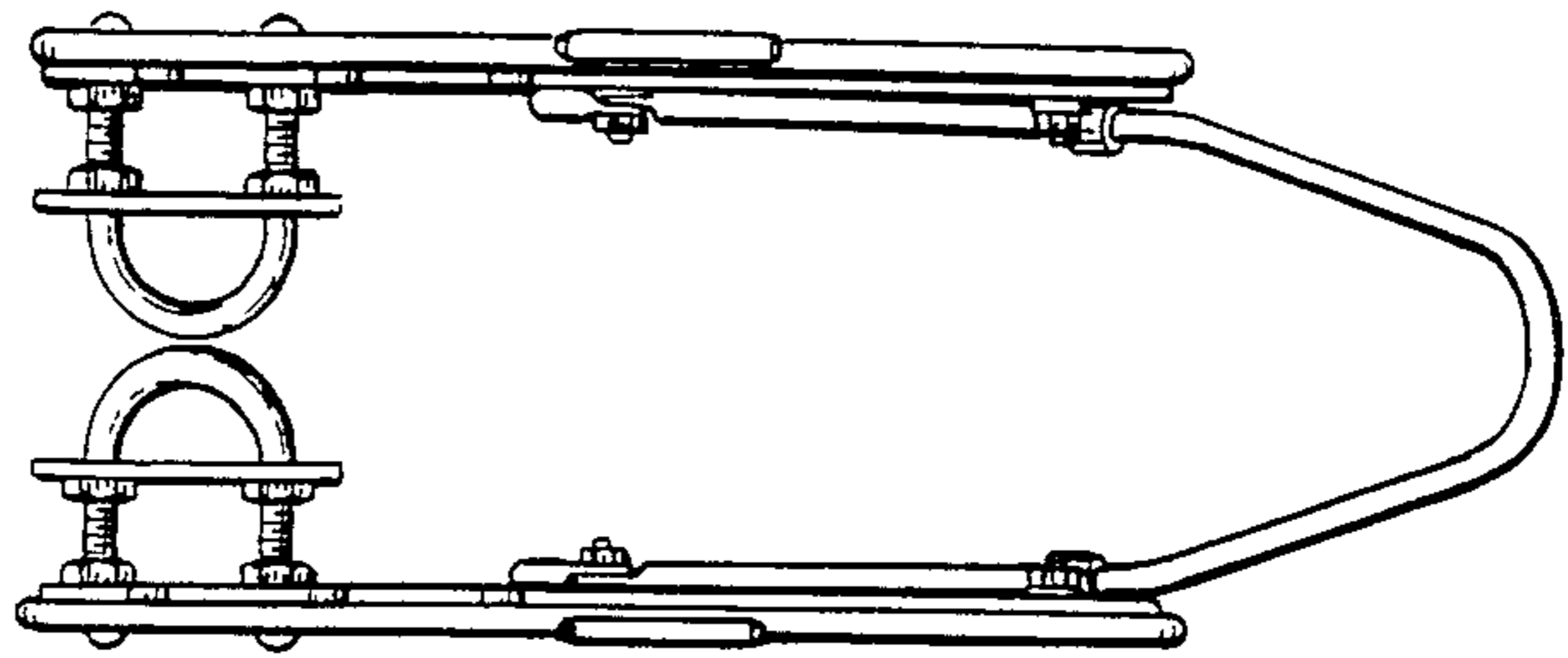
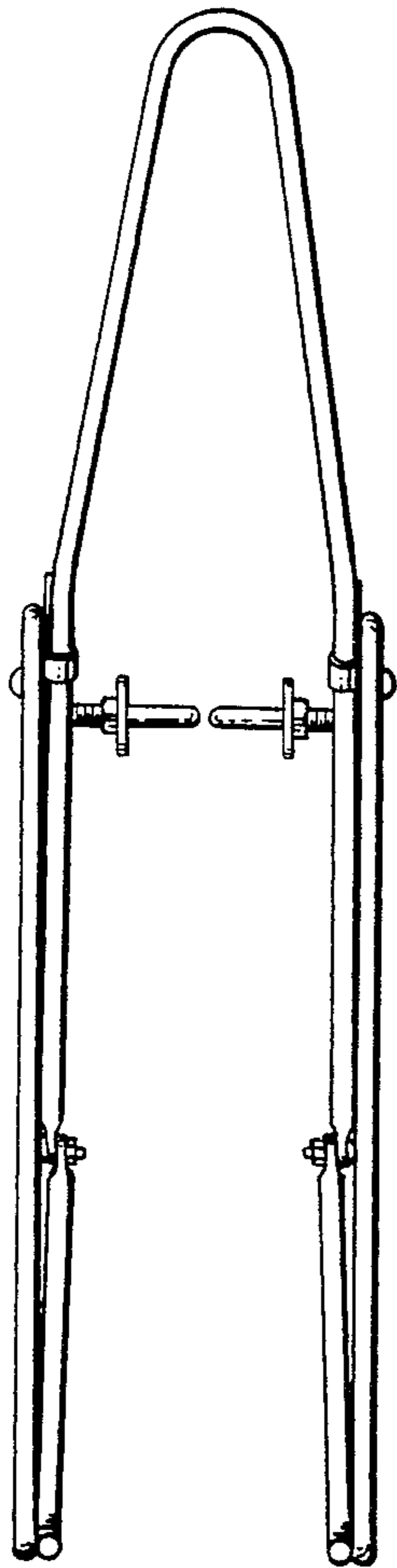


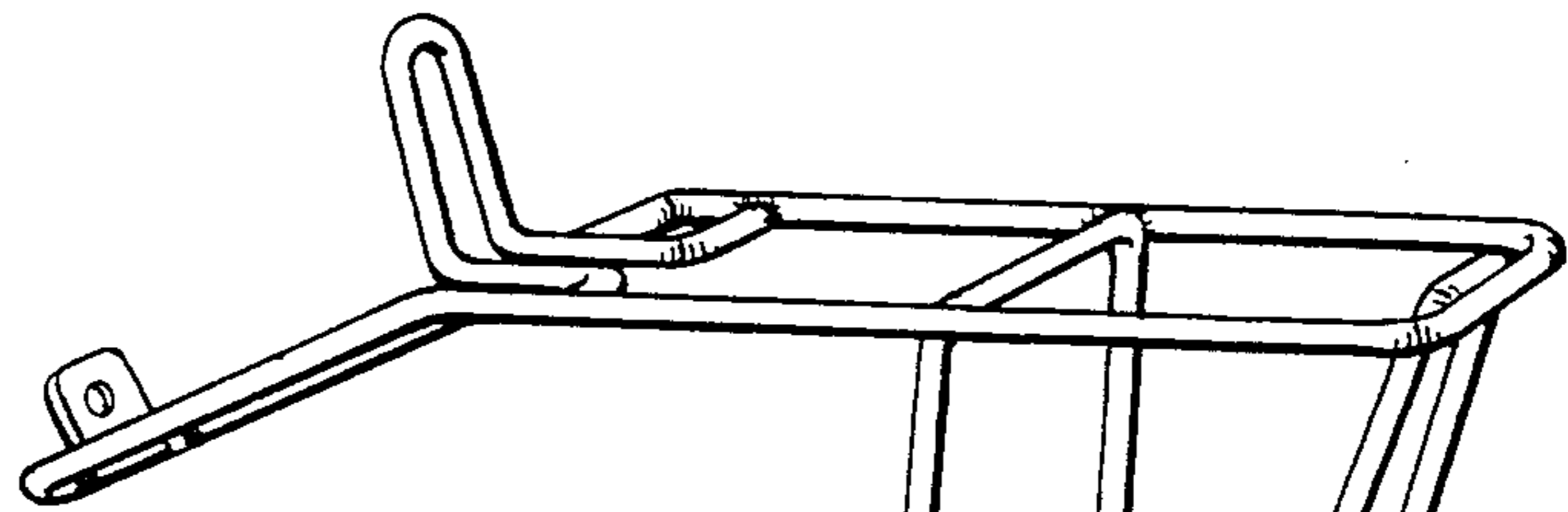
Fig-5



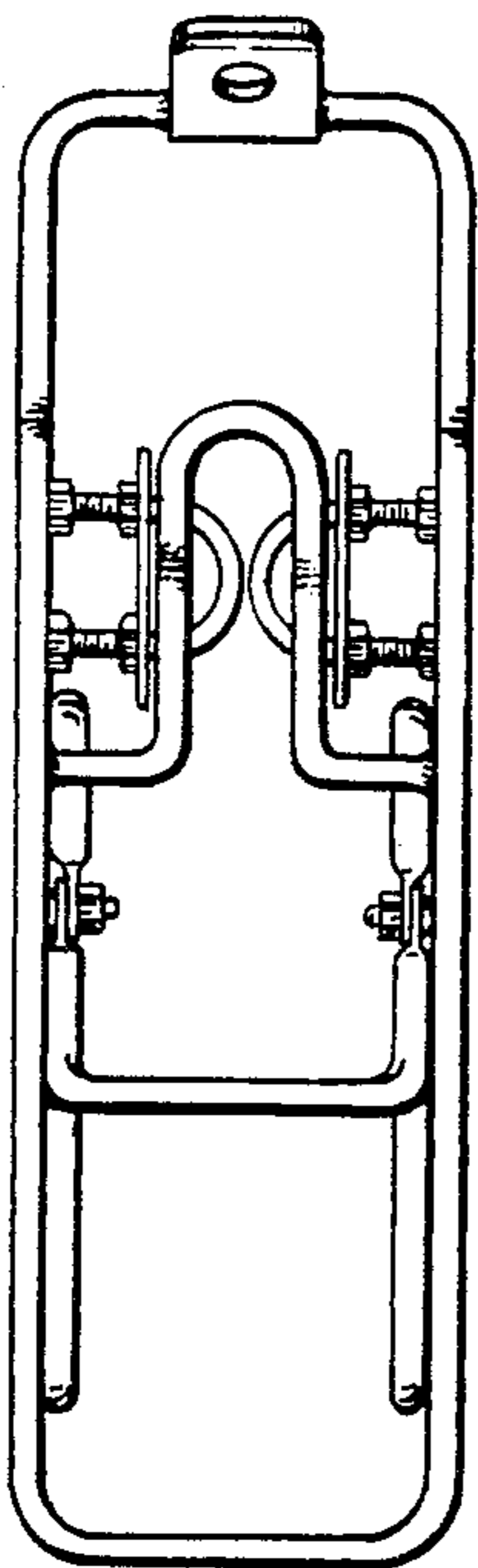
Fig_6



Fig_7



Fig_8



Fig_9

