

United States Patent [19]

Steensland et al.

[11] Patent Number: **Des. 278,690**

[45] Date of Patent: **** May 7, 1985**

[54] **HOUSING FOR SONAR UNIT**

[75] Inventors: **David B. Steensland; William E. McBride**, both of Tulsa, Okla.

[73] Assignee: **Lowrance Electronics, Inc.**, Tulsa, Okla.

[**] Term: **14 Years**

[21] Appl. No.: **406,702**

[22] Filed: **Aug. 9, 1982**

[52] U.S. Cl. **D10/46**

[58] Field of Search **D10/46; 367/109; 346/145**

[56] **References Cited**

U.S. PATENT DOCUMENTS

- D. 207,122 3/1967 Yurdin D10/46
- D. 226,857 5/1973 Broek et al. D10/46
- D. 230,600 3/1974 Turner D10/46

- D. 233,152 10/1974 Knutson D10/46
- D. 406,702 3/1977 Moore D10/46
- 3,146,440 8/1964 Emerson et al. 367/109

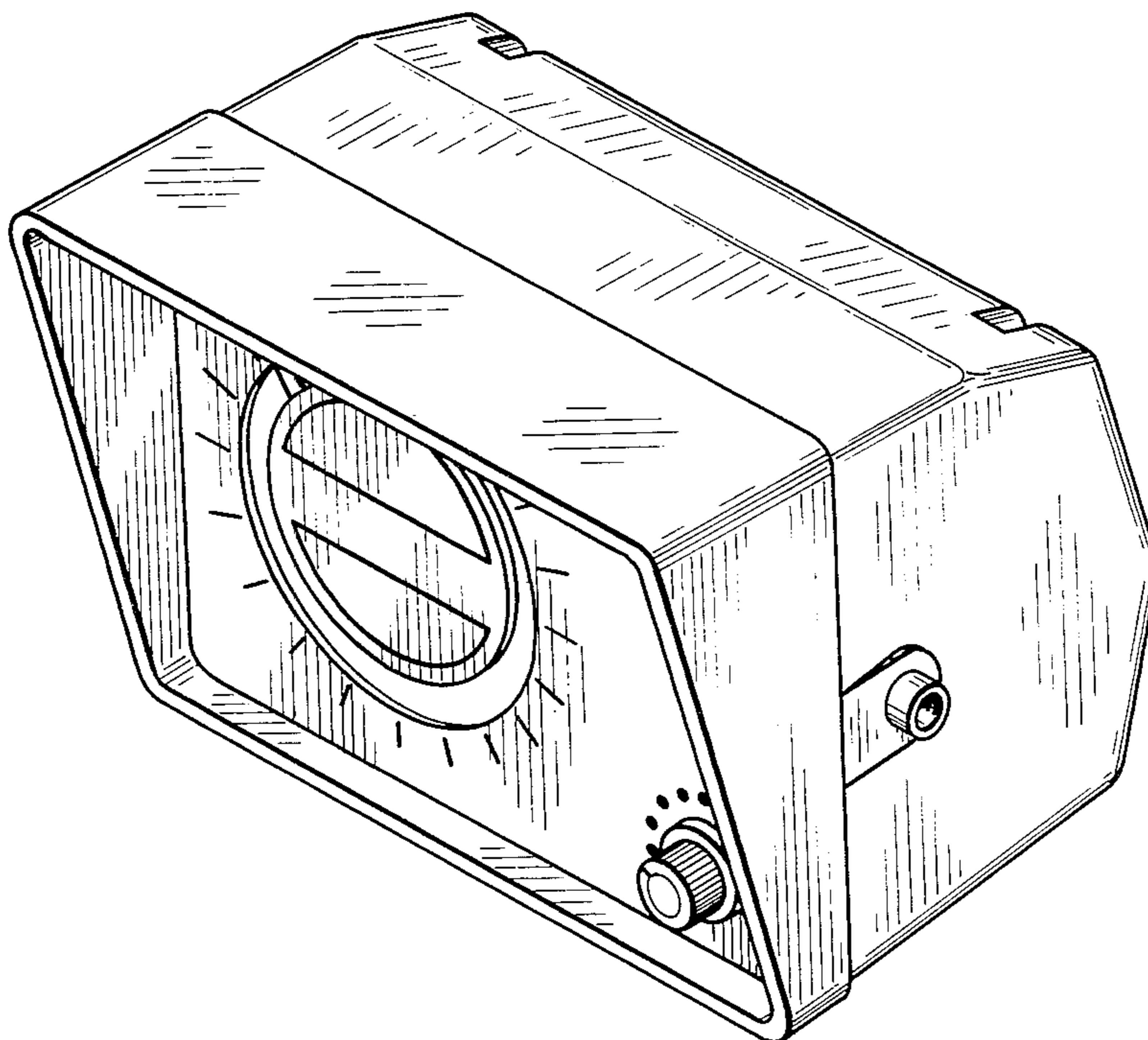
Primary Examiner—Bernard Ansher
Assistant Examiner—Terry Pfeffer
Attorney, Agent, or Firm—Head, Johnson & Stevenson

[57] **CLAIM**

The ornamental design for a housing for sonar unit, substantially as shown and described.

DESCRIPTION

FIG. 1 is an isometric view of a housing for a sonar unit showing our new design;
FIG. 2 is a front elevational view thereof;
FIG. 3 is a top plan view thereof;
FIG. 4 is a side elevational view, the opposite side being a mirror image of the side shown;
FIG. 5 is a rear elevational view thereof; and
FIG. 6 is a bottom plan view.



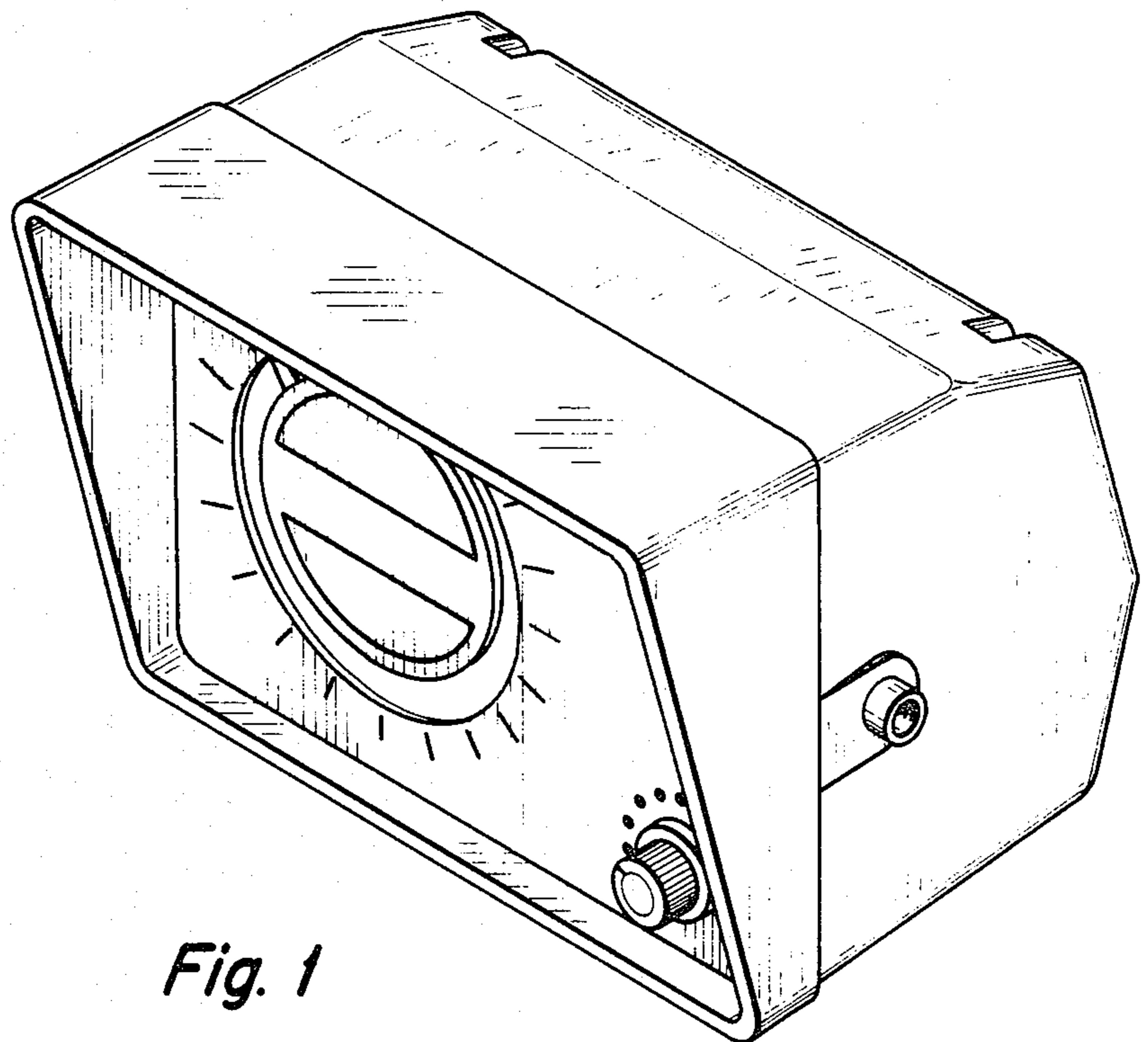


Fig. 1

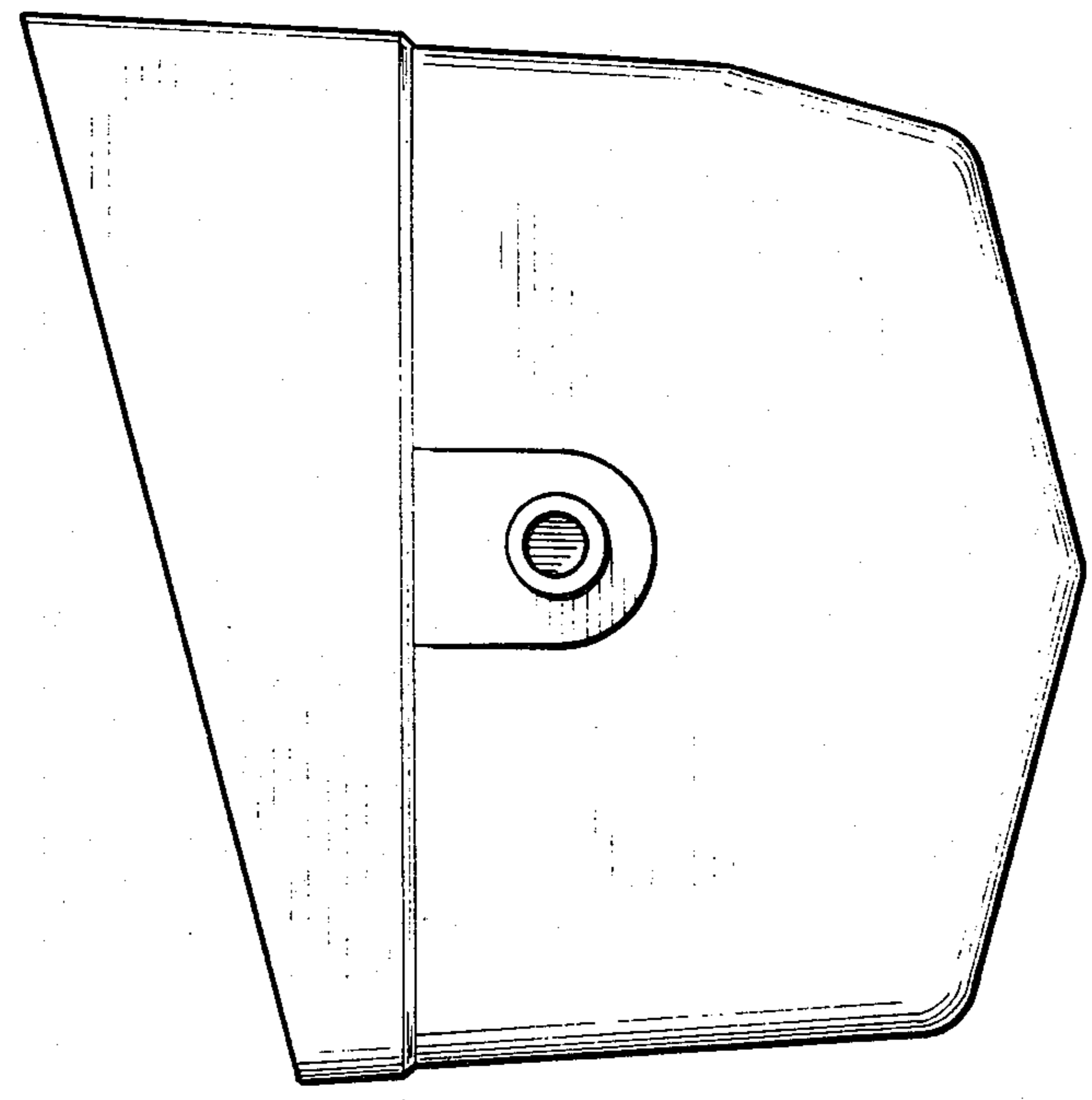


Fig. 4

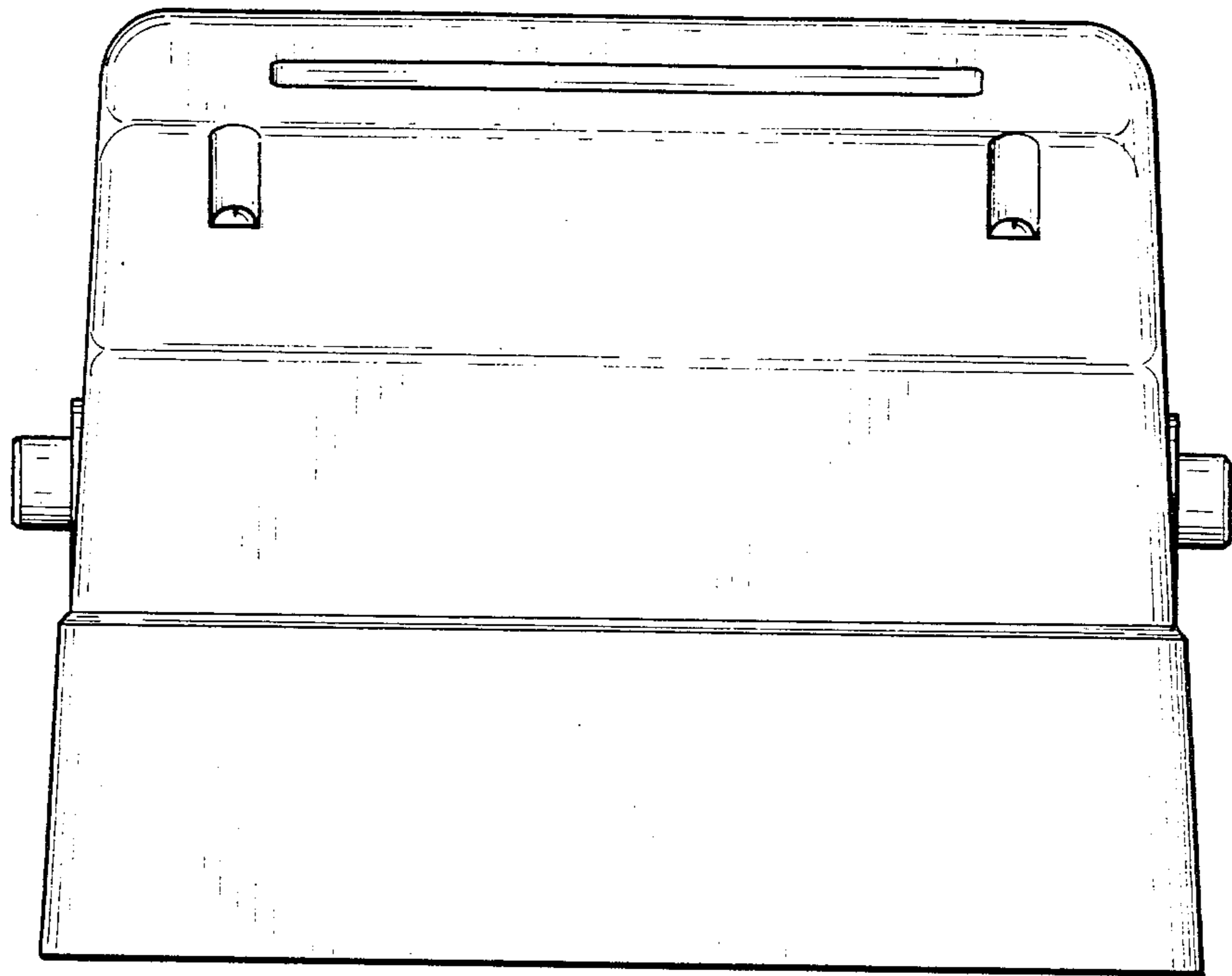


Fig. 3

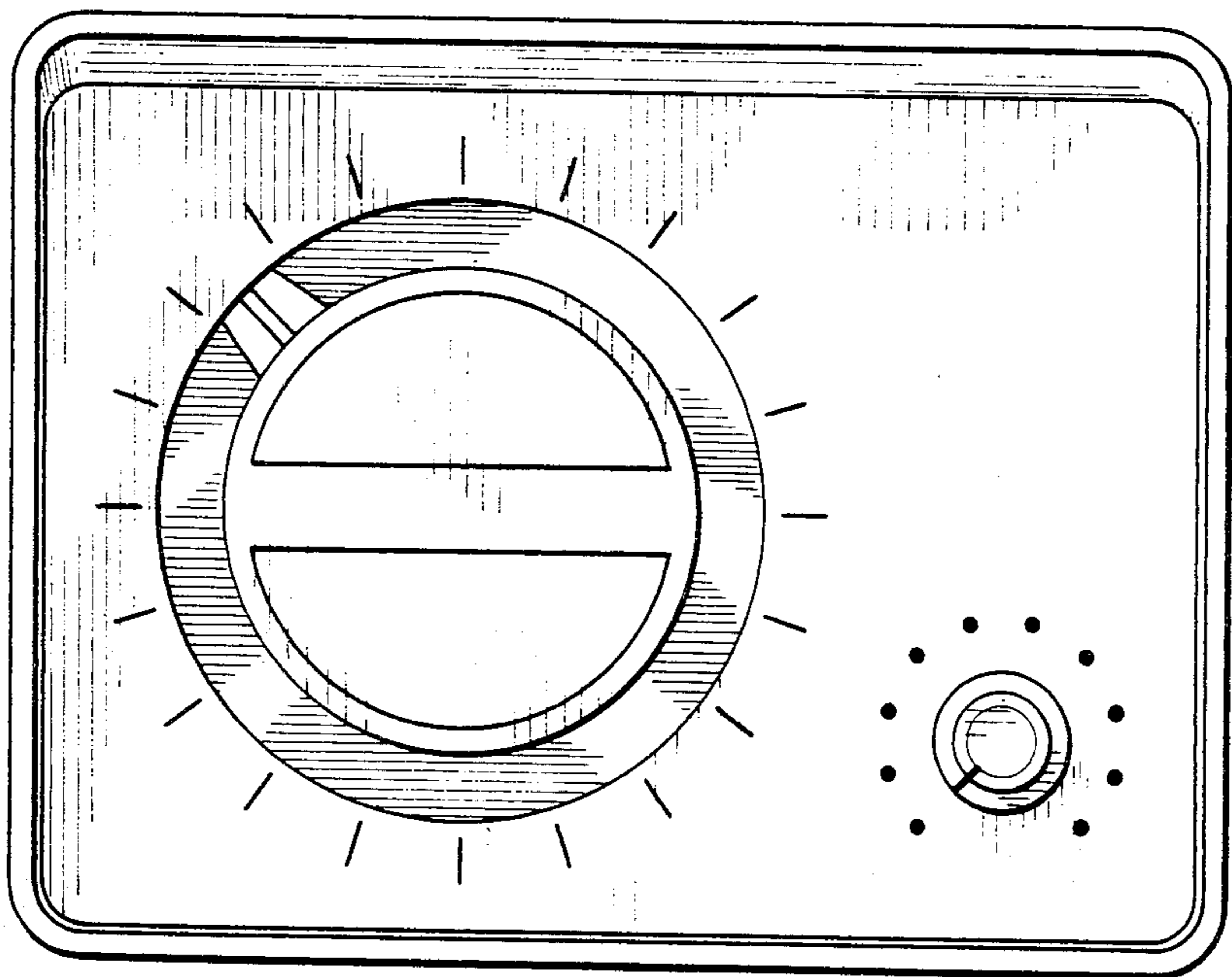


Fig. 2

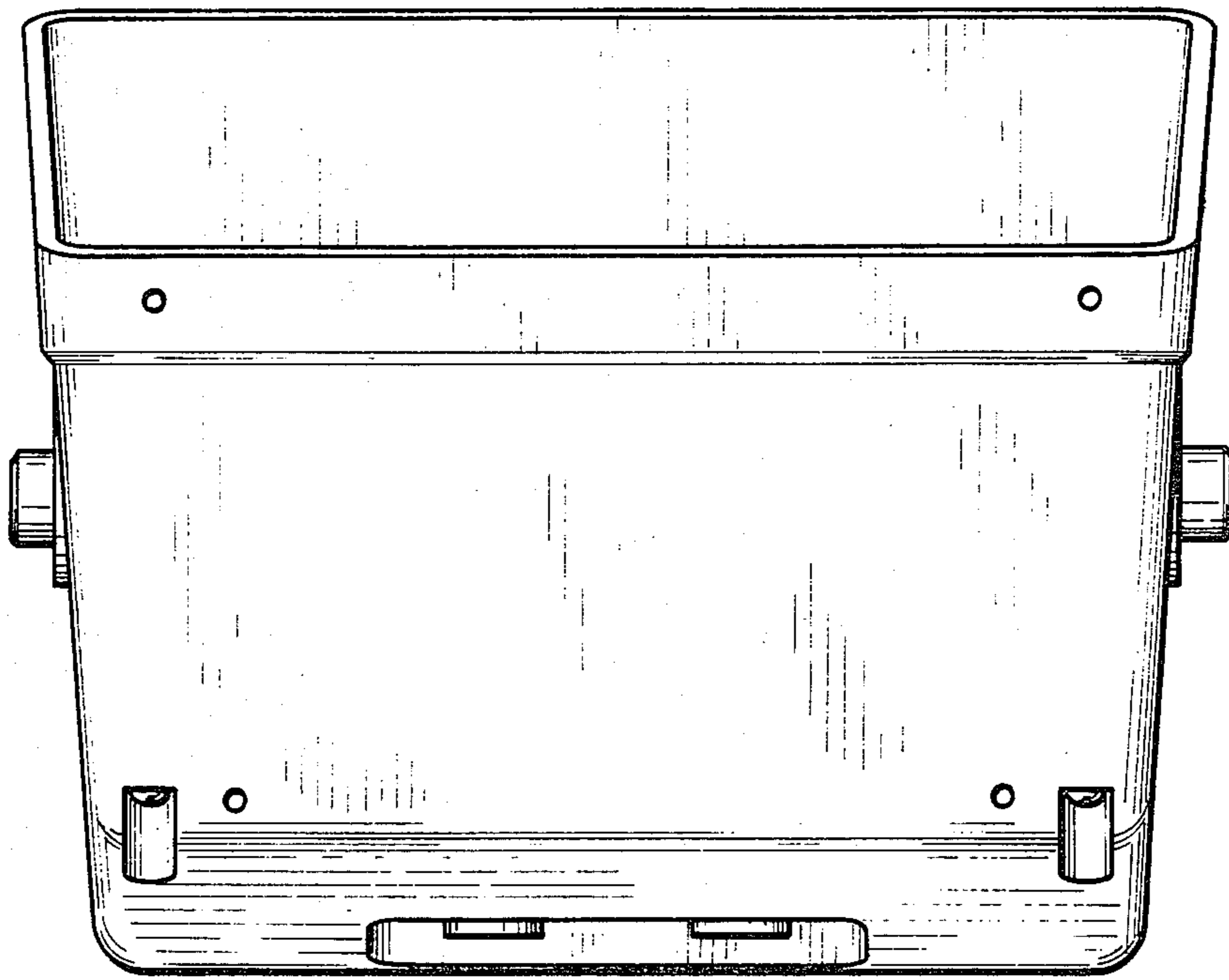


Fig. 6

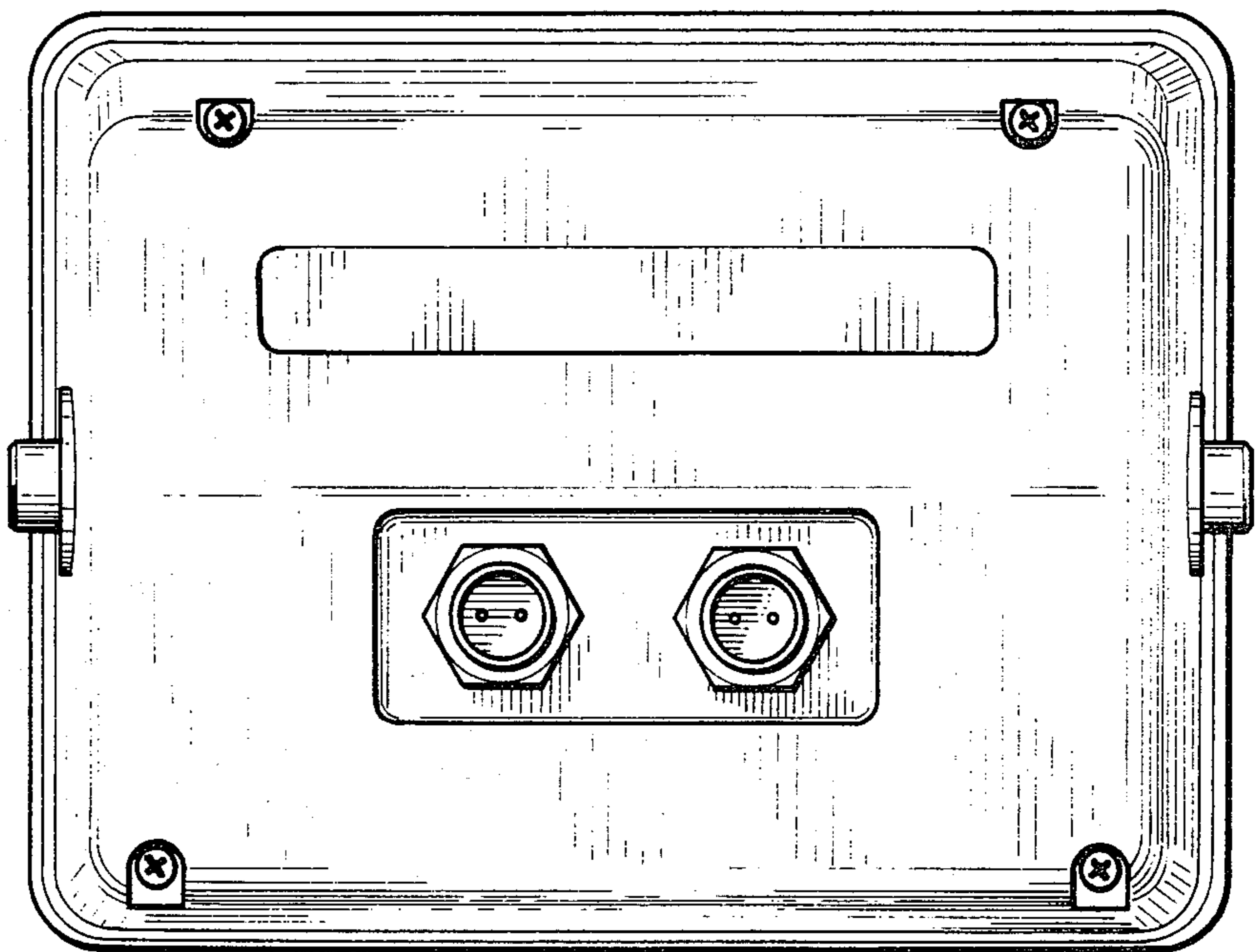


Fig. 5