

[54] **PARKING METER**

[76] **Inventor: Carlen R. Jupe, 1270 First St.,  
Monterey, Calif. 93940**

[\*\*] **Term: 14 Years**

[21] **Appl. No.: 382,635**

[22] **Filed: May 27, 1982**

[52] **U.S. Cl. .... D10/42**

[58] **Field of Search ..... D10/42; 194/DIG. 21,  
194/DIG. 22; 340/51; 368/90**

2,065,075 12/1936 Johns ..... 368/90  
3,018,615 1/1962 Minton et al. .... 368/90 X

*Primary Examiner*—Bernard Ansher

*Assistant Examiner*—Terry Pfeffer

*Attorney, Agent, or Firm*—D. A. N. Chase; Michael  
Yakimo, Jr.

[57] **CLAIM**

The ornamental design for a parking meter, as shown  
and described.

**DESCRIPTION**

FIG. 1 is a front elevation of a parking meter showing  
my new design;

FIG. 2 is a top plan view thereof;

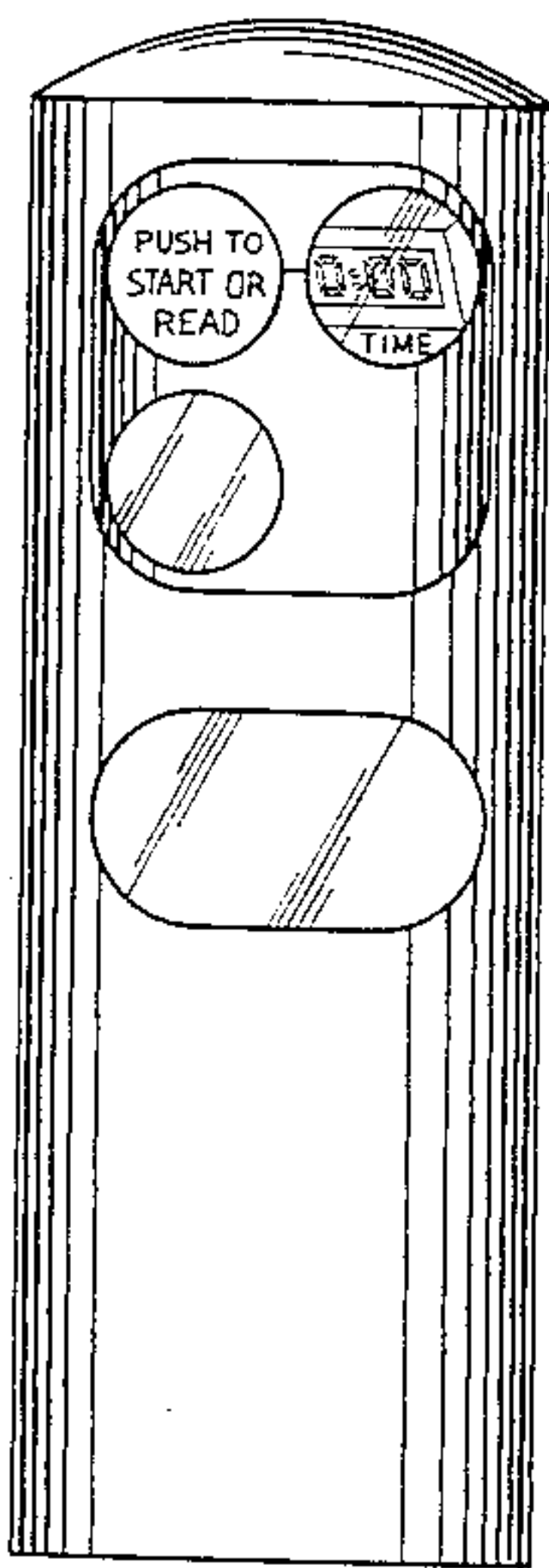
FIG. 3 is an elevation as seen in the direction of line  
3—3 in FIG. 2; and

FIG. 4 is an elevation as seen in the direction of line  
4—4 in FIG. 2.

[56] **References Cited**

**U.S. PATENT DOCUMENTS**

D. 106,568 10/1937 Johns ..... D10/42  
D. 107,359 12/1937 Martin ..... D10/42  
D. 108,728 3/1938 Finch et al. .... D10/42  
D. 117,371 10/1939 Johnson ..... D10/42



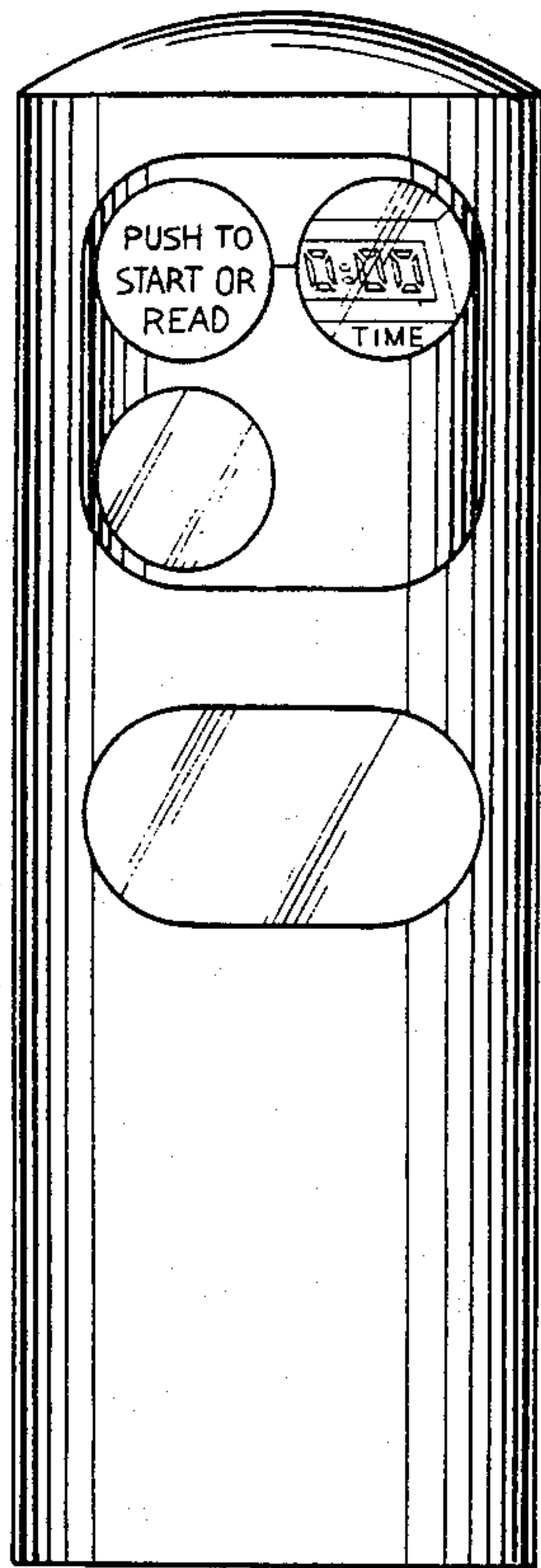


FIG. 1

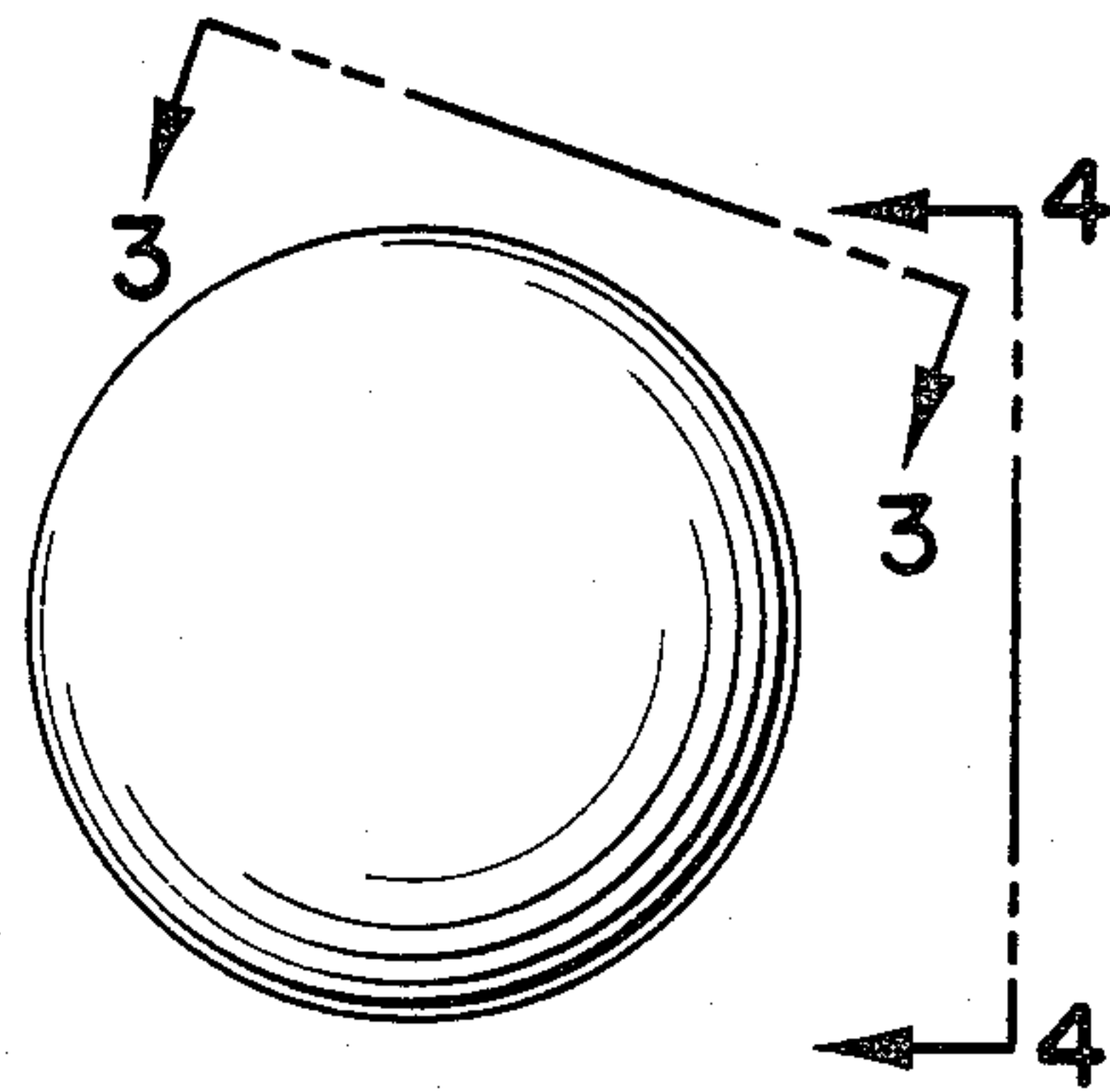


FIG. 2

FIG. 3

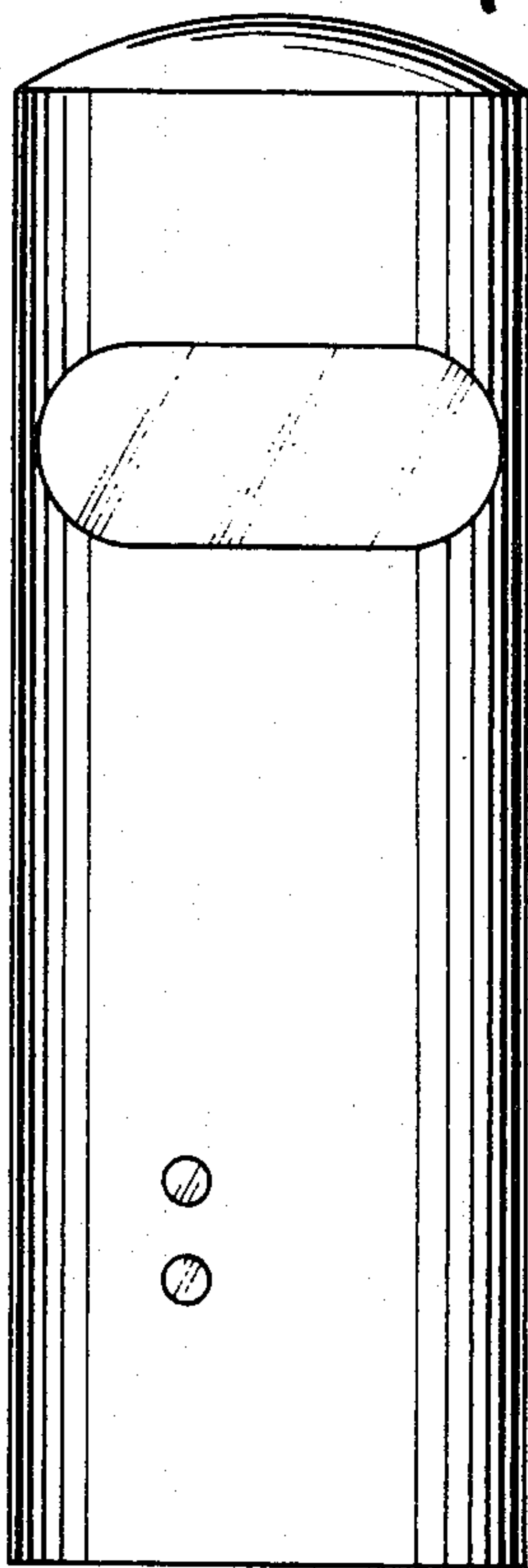


FIG. 4

