

[54] WATCH

[75] Inventors: Susumu Suzuki; Noritaka Uchihori; Naoto Fukasawa, all of Suwa, Japan

[73] Assignee: Kabushiki Kaisha Suwa Seikosha, Tokyo, Japan

[**] Term: 14 Years

[21] Appl. No.: 449,815

[22] Filed: Dec. 14, 1982

[30] Foreign Application Priority Data

Jun. 15, 1982 [JP] Japan 57-26705

[52] U.S. Cl. D10/38

[58] Field of Search D10/30-39, D10/122-126; 368/276, 277, 280, 281, 284, 285, 239-242, 80-82, 29-30

[56] References Cited

U.S. PATENT DOCUMENTS

- D. 267,548 1/1983 Wada D10/38
- D. 269,767 7/1983 Houlihan D10/38
- D. 269,951 8/1983 Eberhardt D10/38

OTHER PUBLICATIONS

Swiss Watch & Jewelry Journal-3/80-p. 415-Watch at top right.

European Jeweler-6/80-p. 46-Watch at top left.

Hong Kong Enterprises-6/81-p. 152-Watches.

Hong Kong Enterprises-10/81-p. 195-Watches at top.

Primary Examiner—Nelson C. Holtje

Attorney, Agent, or Firm—Blum, Kaplan, Friedman, Silberman & Beran

[57] CLAIM

The ornamental design for a watch, as shown and described.

DESCRIPTION

FIG. 1 is a top plan view of a watch showing our new design;

FIG. 2 is a front elevational view thereof;

FIG. 3 is a left side view thereof;

FIG. 4 is a right side view thereof;

FIG. 5 is a bottom plan view thereof;

FIG. 6 is a rear elevational view thereof;

FIG. 7 is a top and left front perspective view thereof;

FIG. 8 is a front elevational view of another embodiment of our new design of FIGS. 1-7, showing indicia and a portion of the digital display in an energized condition, the top plan, left side, right side, bottom plan, and rear elevational views being identical to FIGS. 1 and 3-6, respectively.

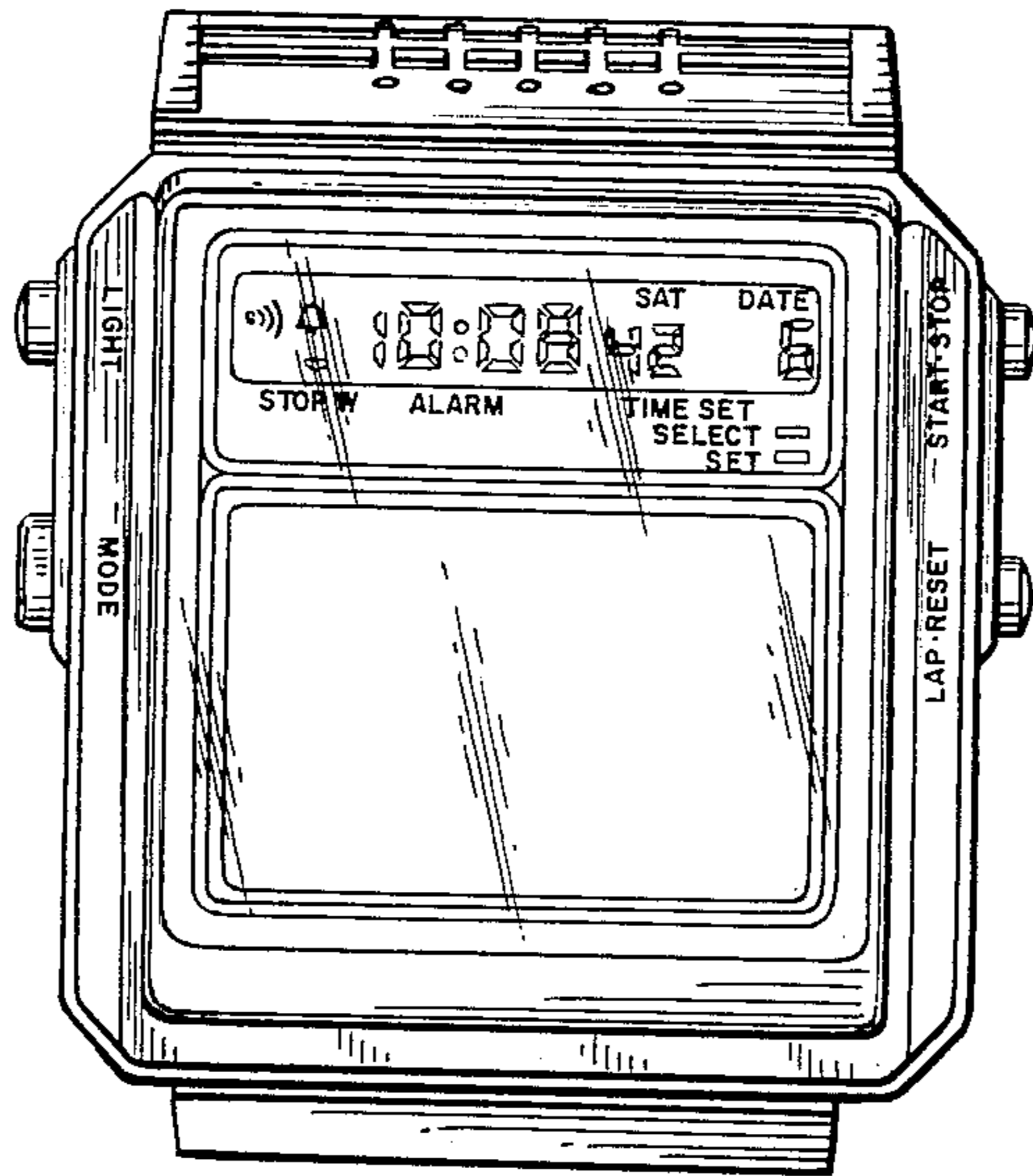


FIG. 1



FIG. 2

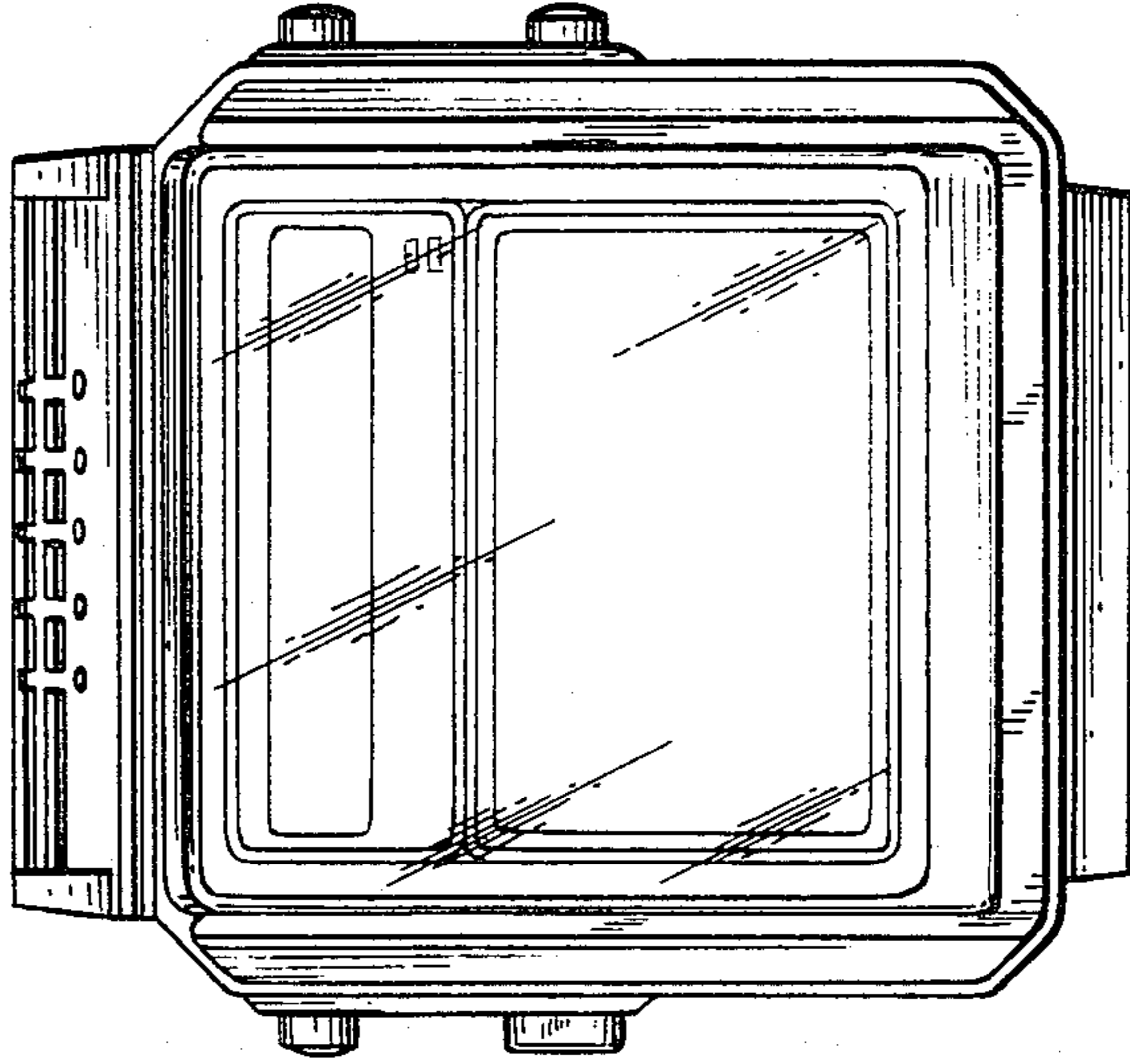


FIG. 4

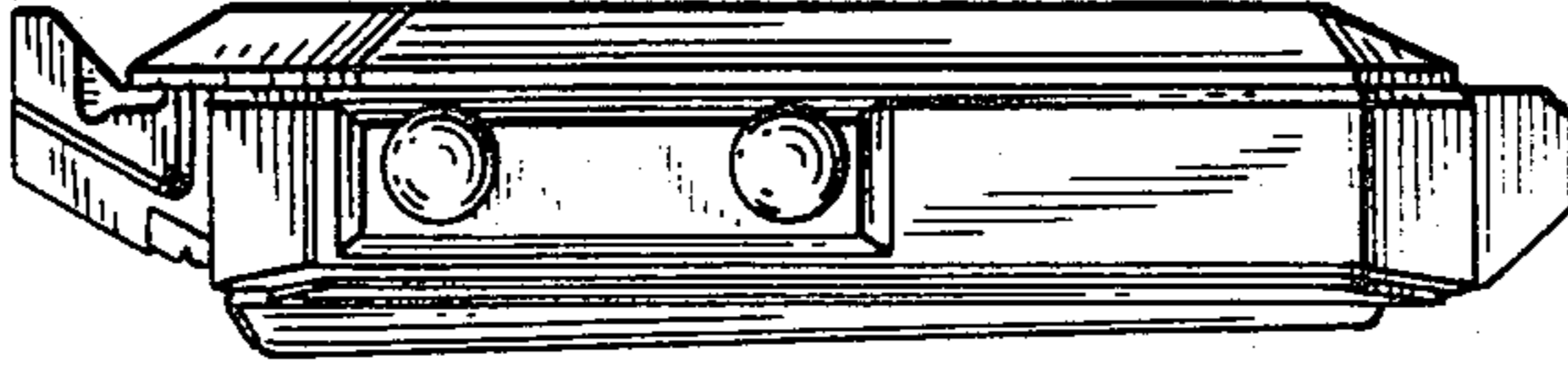


FIG. 3

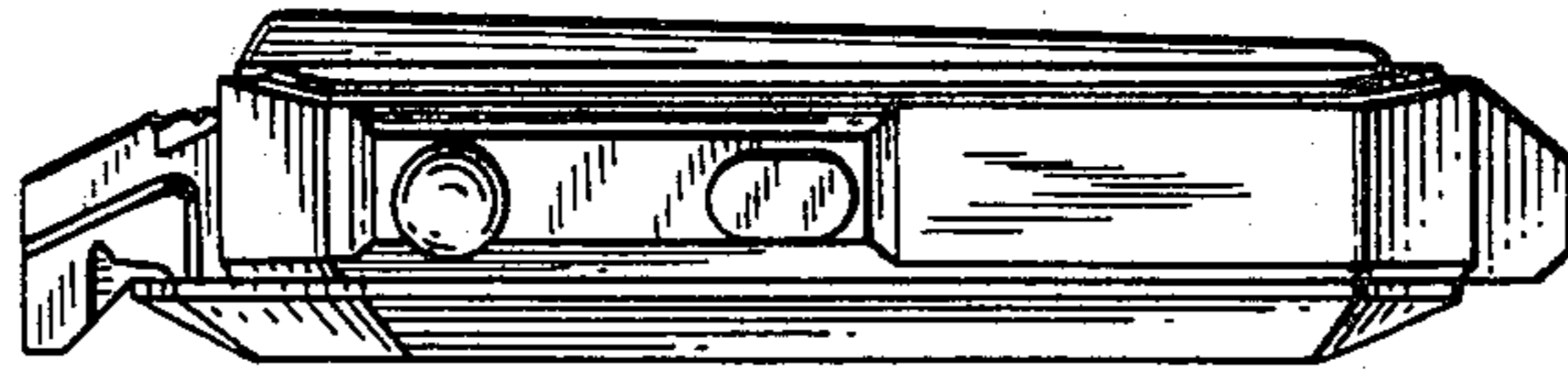


FIG. 5

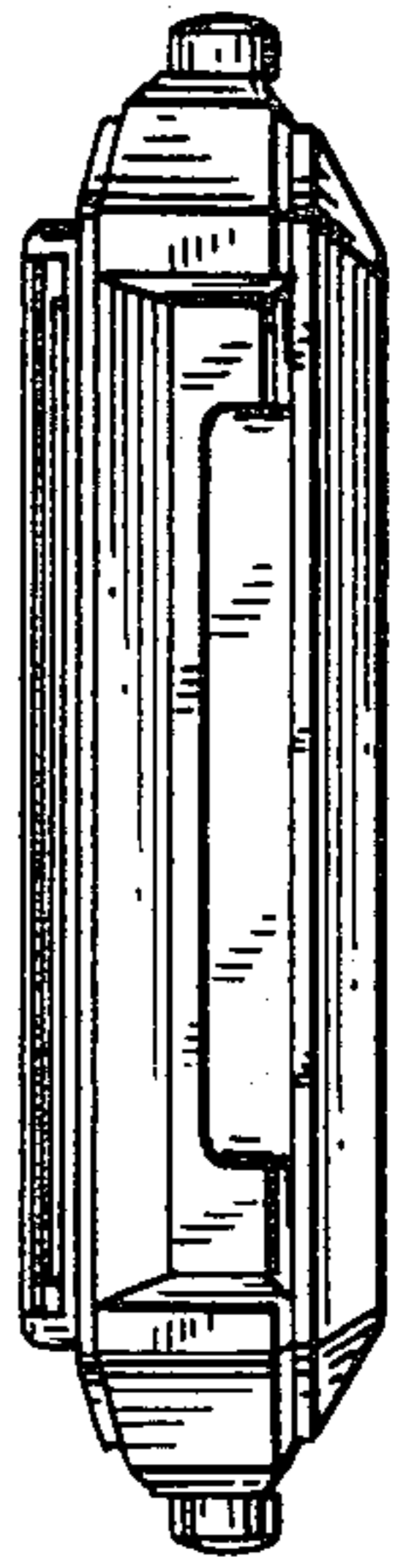


FIG. 8

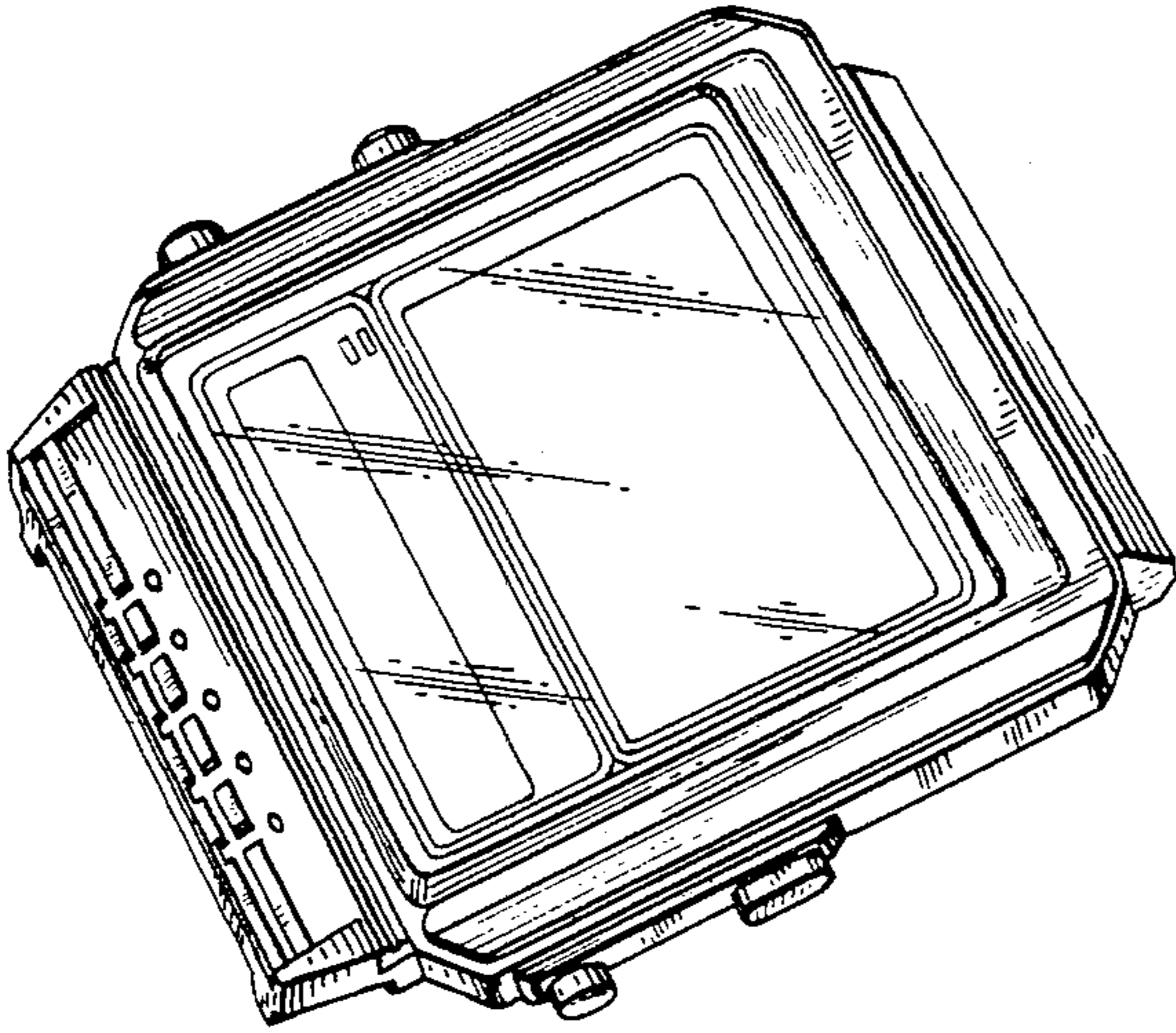
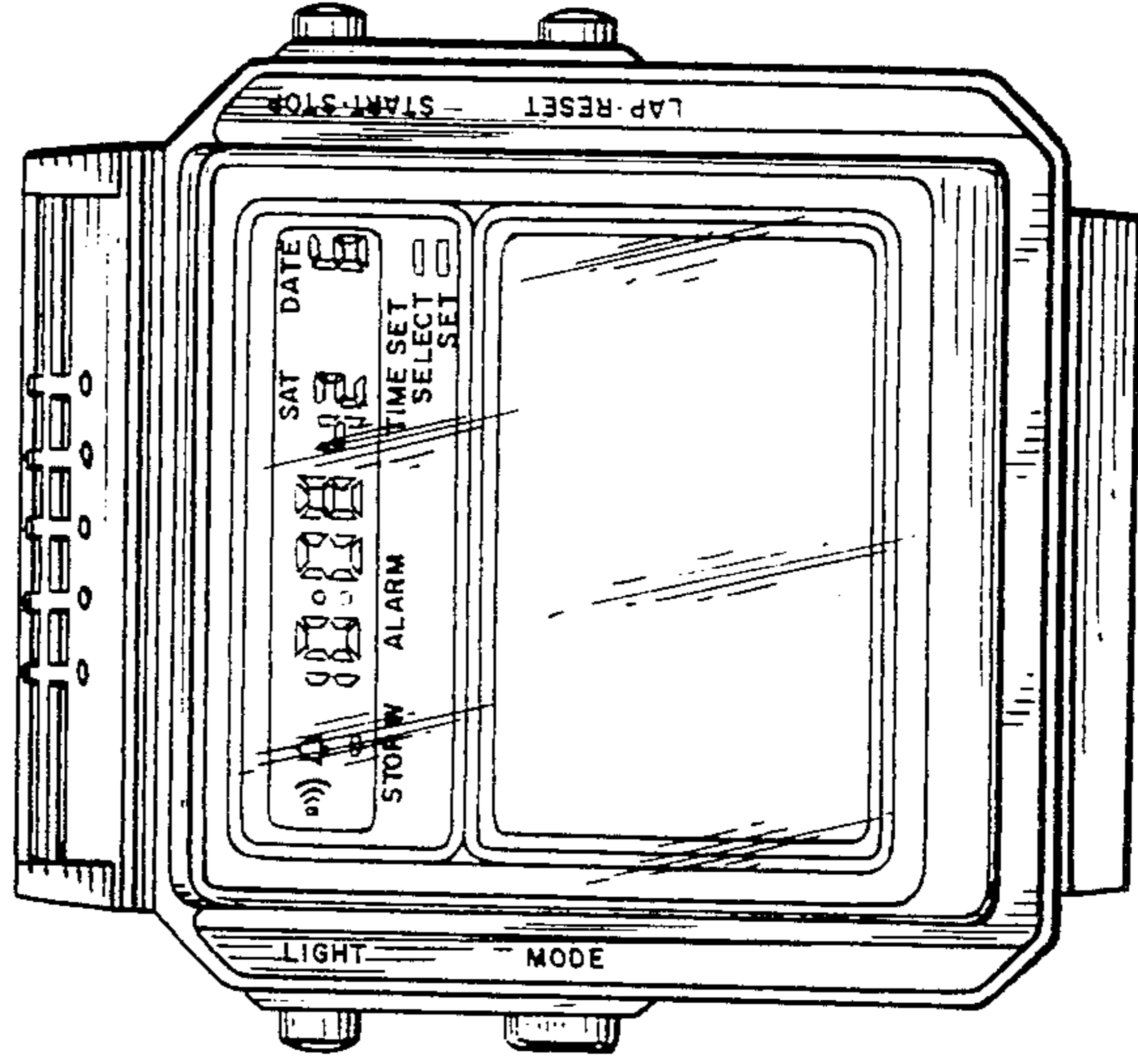


FIG. 7

FIG. 6

