

[54] **MOUNTING CLIP**
 [75] **Inventor: Jesus R. Villanueva, Justice, Ill.**
 [73] **Assignee: The Cooperative Marketing Co., Elk Grove Village, Ill.**
 [**] **Term: 14 Years**
 [21] **Appl. No.: 400,098**
 [22] **Filed: Jul. 20, 1982**
 [52] **U.S. Cl. D8/373; D20/42; D20/43**
 [58] **Field of Search D8/373, 394, 372; D20/43, 22, 40, 42, 28, 27; 40/10 R, 11 R; 248/467, 221.4, 307; D6/114, 115; 206/467, 476, 482, 483, 813, 806, 526**

4,338,739 7/1982 Greenberger 40/10 R
 4,354,598 10/1982 Schillinger 206/476

Primary Examiner—A. Hugo Word
Assistant Examiner—Horace B. Fay
Attorney, Agent, or Firm—Fitch, Even, Tabin & Flannery

[57] **CLAIM**

The ornamental design for a mounting clip, as shown and described.

DESCRIPTION

FIG. 1 is a front view of a mounting clip showing my new design;
 FIG. 2 is a side view thereof;
 FIG. 3 is a perspective view thereof;
 FIG. 4 is a bottom view thereof;
 FIG. 5 is a front view of a second embodiment of a mounting clip showing my design;
 FIG. 6 is a side view thereof;
 FIG. 7 is a bottom view thereof;
 FIG. 8 is a front view of a third embodiment of a mounting clip showing my design;
 FIG. 9 is a side view thereof;
 FIG. 10 is a bottom view thereof.
 The broken line representation of a price channel in FIG. 3 is for purposes of illustration only.

[56] **References Cited**
U.S. PATENT DOCUMENTS

2,147,470	2/1939	Tate	206/482
2,224,027	12/1940	Tate	206/476
2,237,266	4/1941	Weil	206/482
2,738,061	3/1956	Roth	206/476
2,801,744	8/1957	White	206/476
3,040,881	6/1962	McNeill	206/476
3,085,725	4/1963	Caparusa	206/806
3,290,809	12/1966	King	206/813
3,907,104	9/1975	Taub	206/806

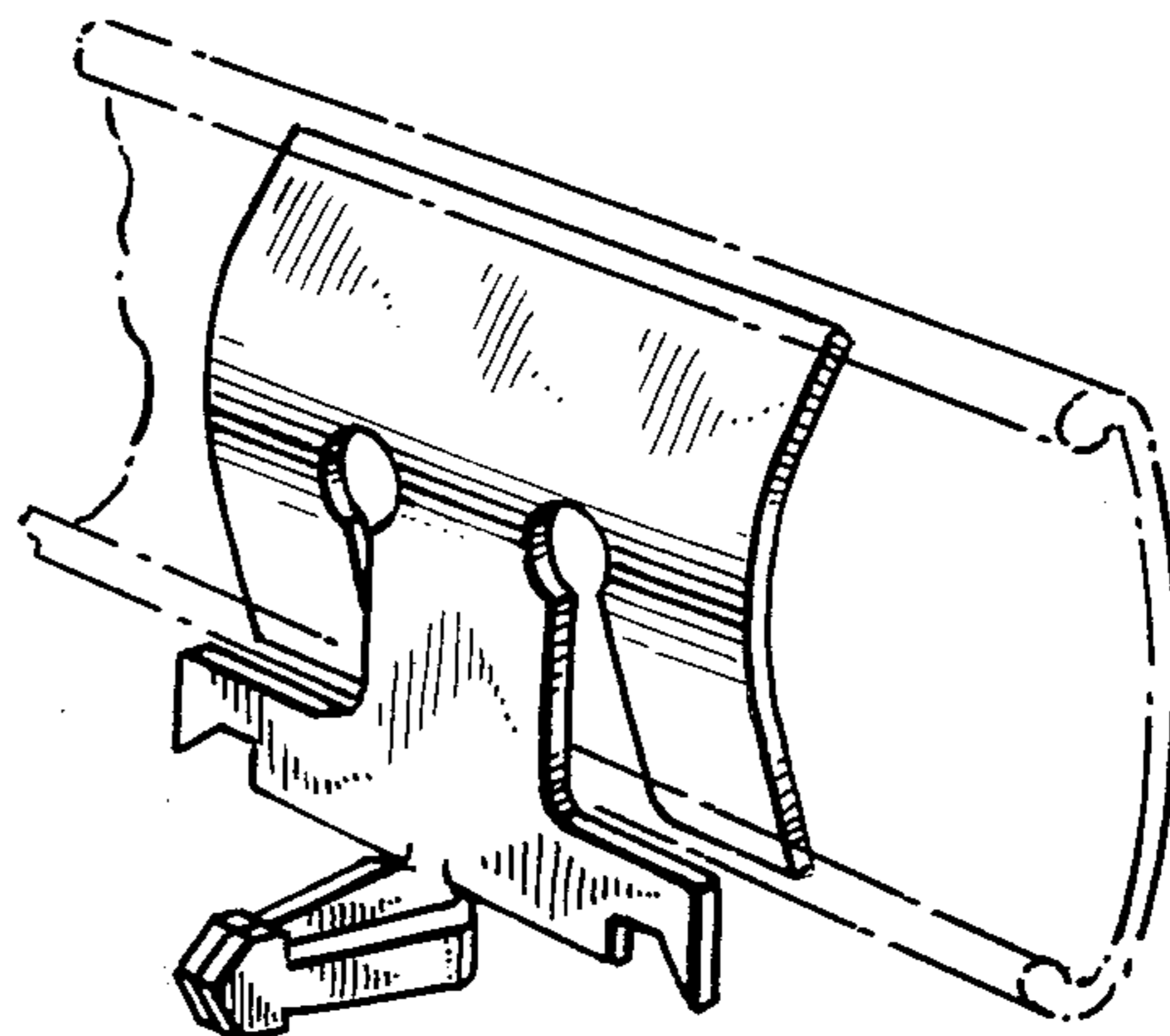
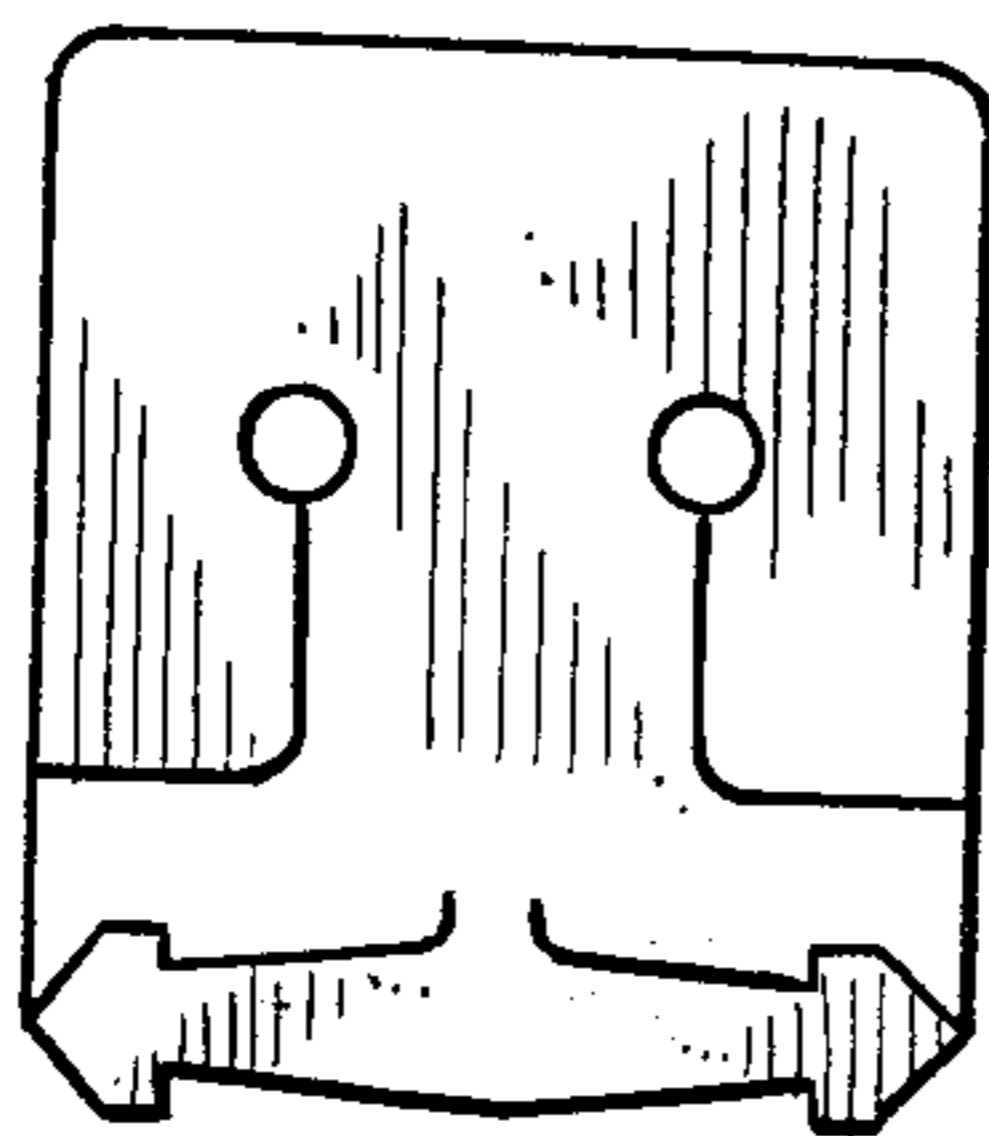


FIG. 1.

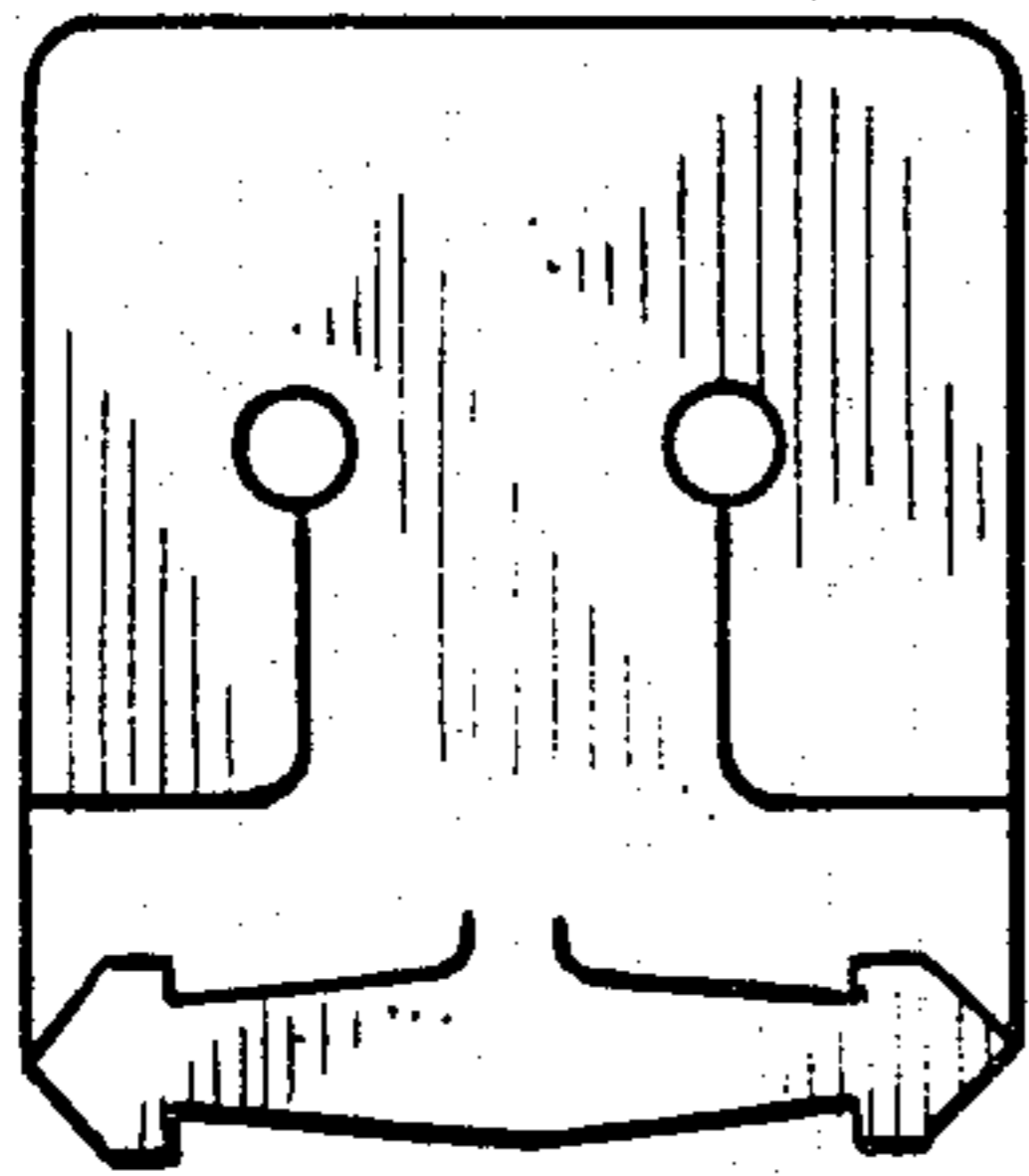


FIG. 2.



FIG. 3.

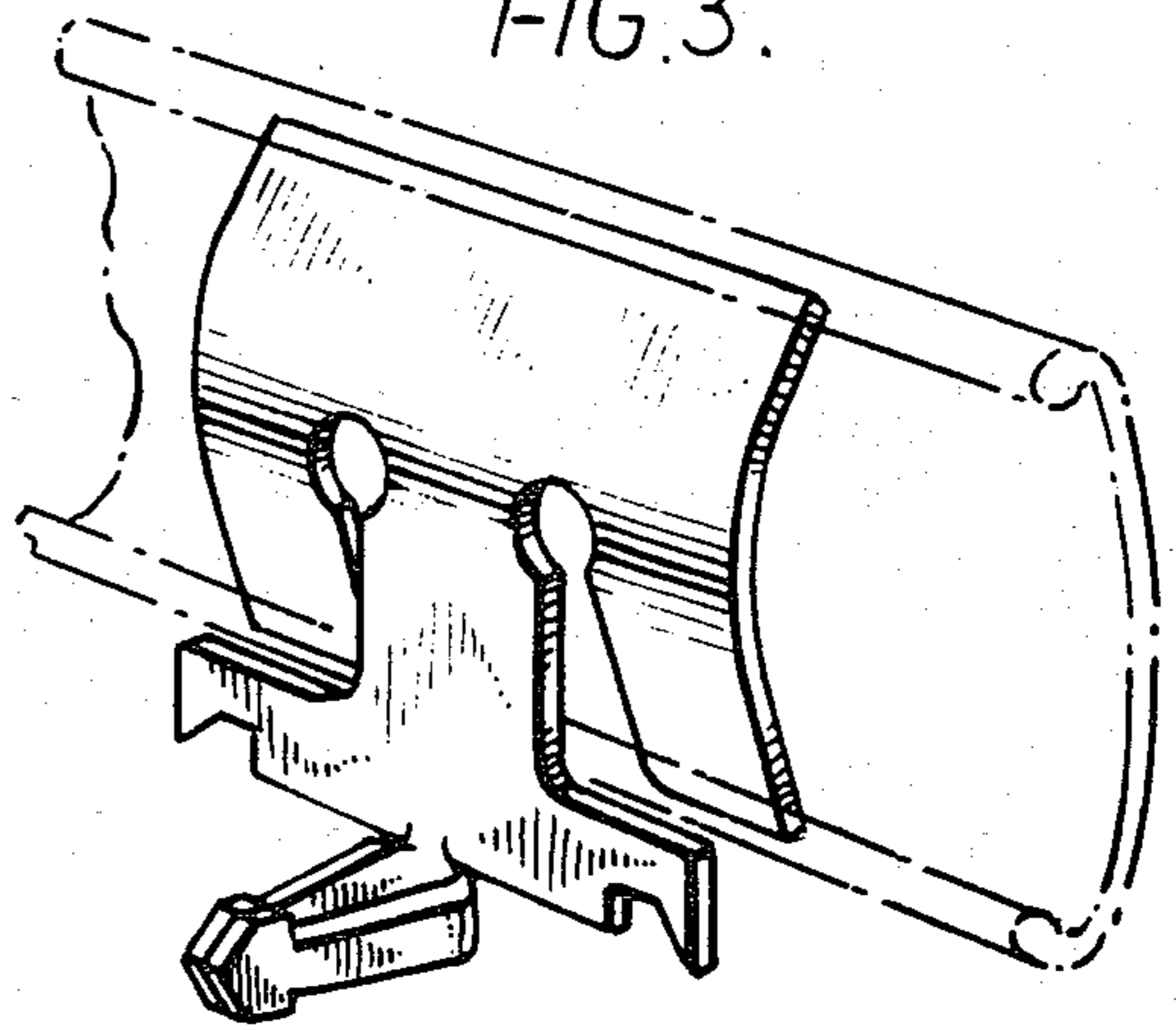


FIG. 4.



FIG. 5.

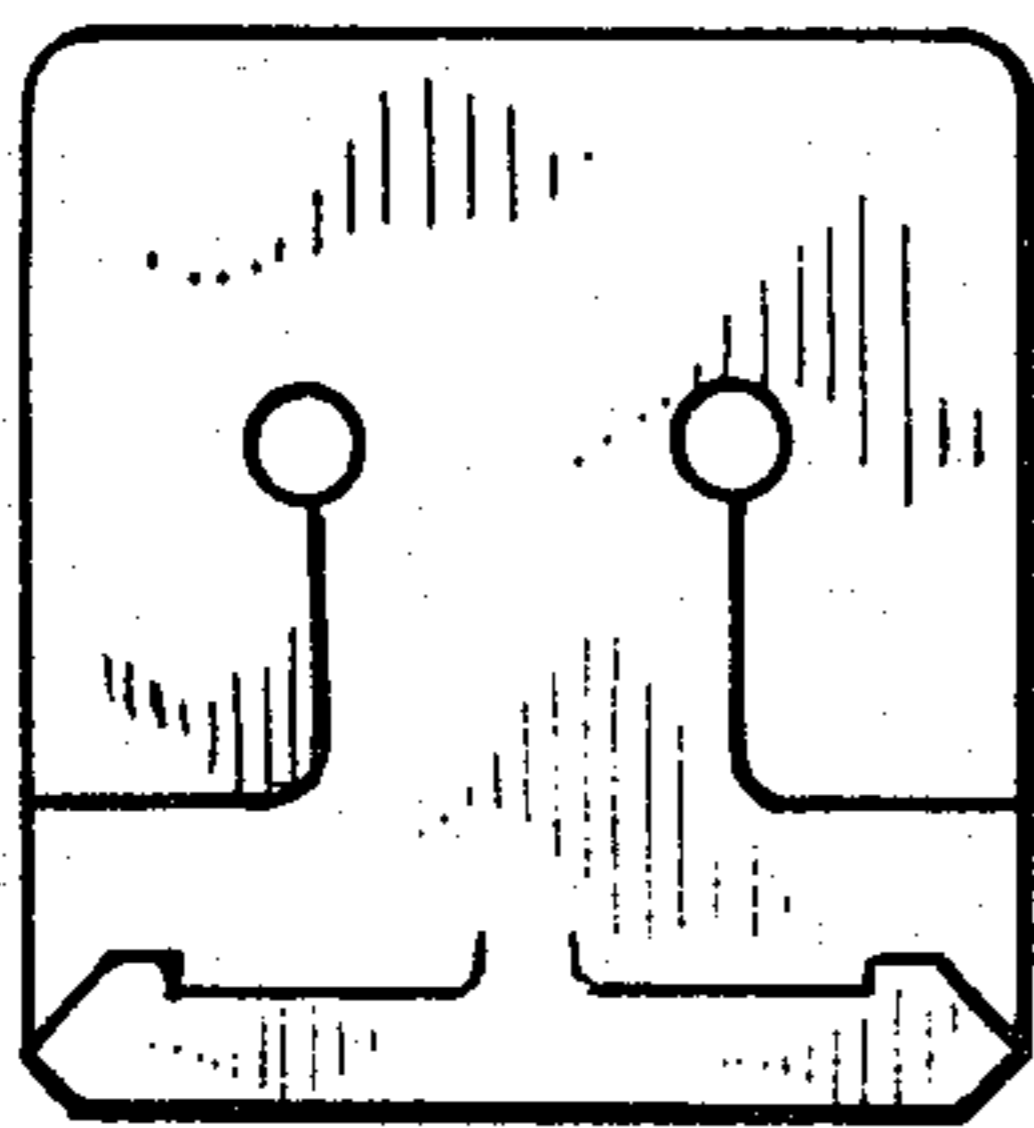


FIG. 6.



FIG. 7.



FIG. 8.

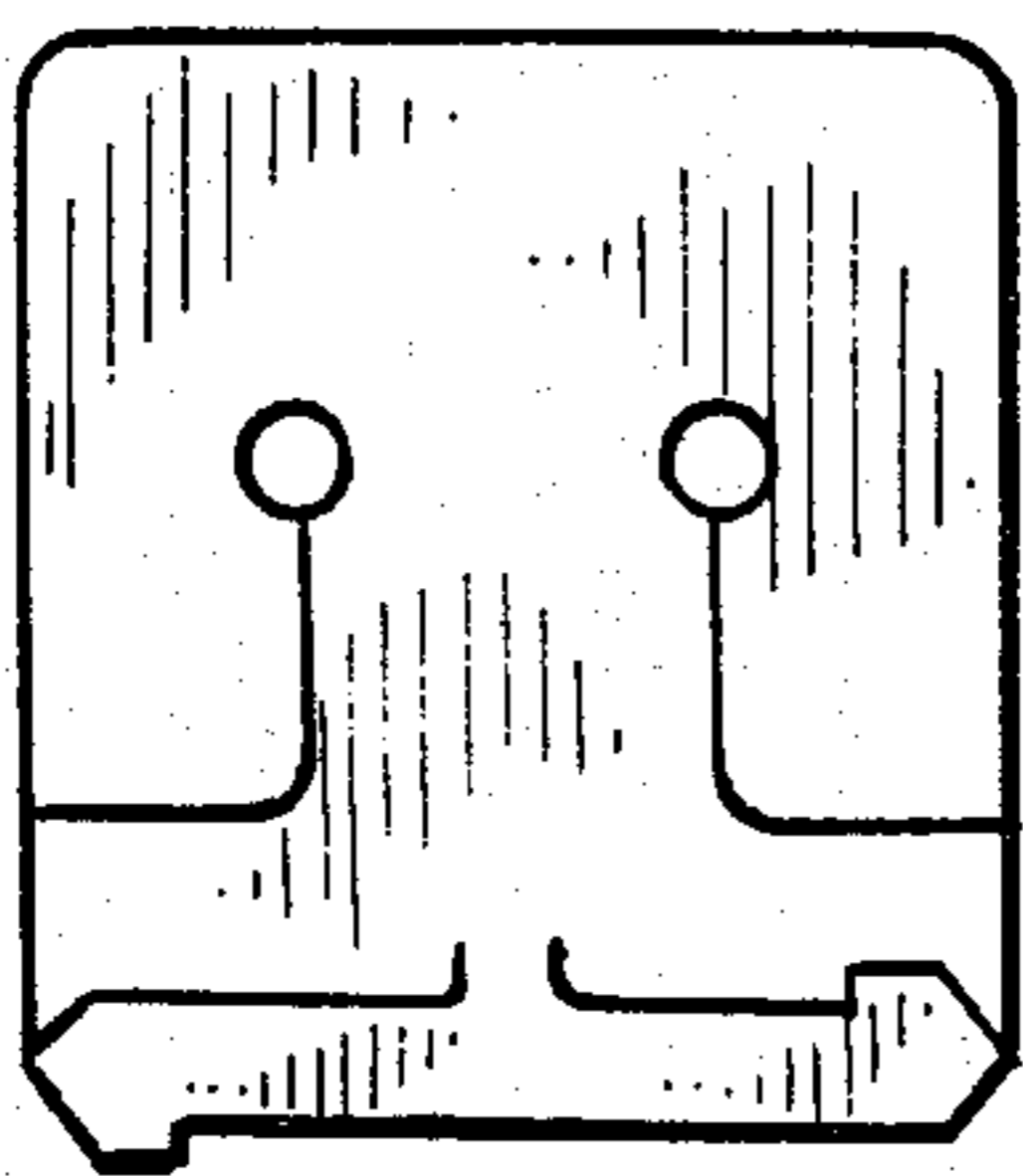


FIG. 9.



FIG. 10.

