

- [54] **KEYBOARD STACKER**
[76] **Inventor: Darrell A. Schoenig, 432 Clover La., Ft. Collins, Colo. 80521**
[**] **Term: 14 Years**
[21] **Appl. No.: 448,268**
[22] **Filed: Dec. 9, 1982**
[52] **U.S. Cl. D6/463; D6/464; D6/465**
[58] **Field of Search D6/329, 396, 449, 466, D6/467, 468, 462, 463, 464, 465; 211/13, 181, 189, 71; 108/92, 93**

- [56] **References Cited**
U.S. PATENT DOCUMENTS
D. 23,450 7/1894 Heffner D6/465
D. 28,772 5/1898 Morrow D6/464

- D. 75,295 5/1928 Sobel D6/449
D. 237,231 10/1975 Wells D6/449
580,655 4/1897 Thew 211/71
1,169,157 1/1916 Honold 211/71

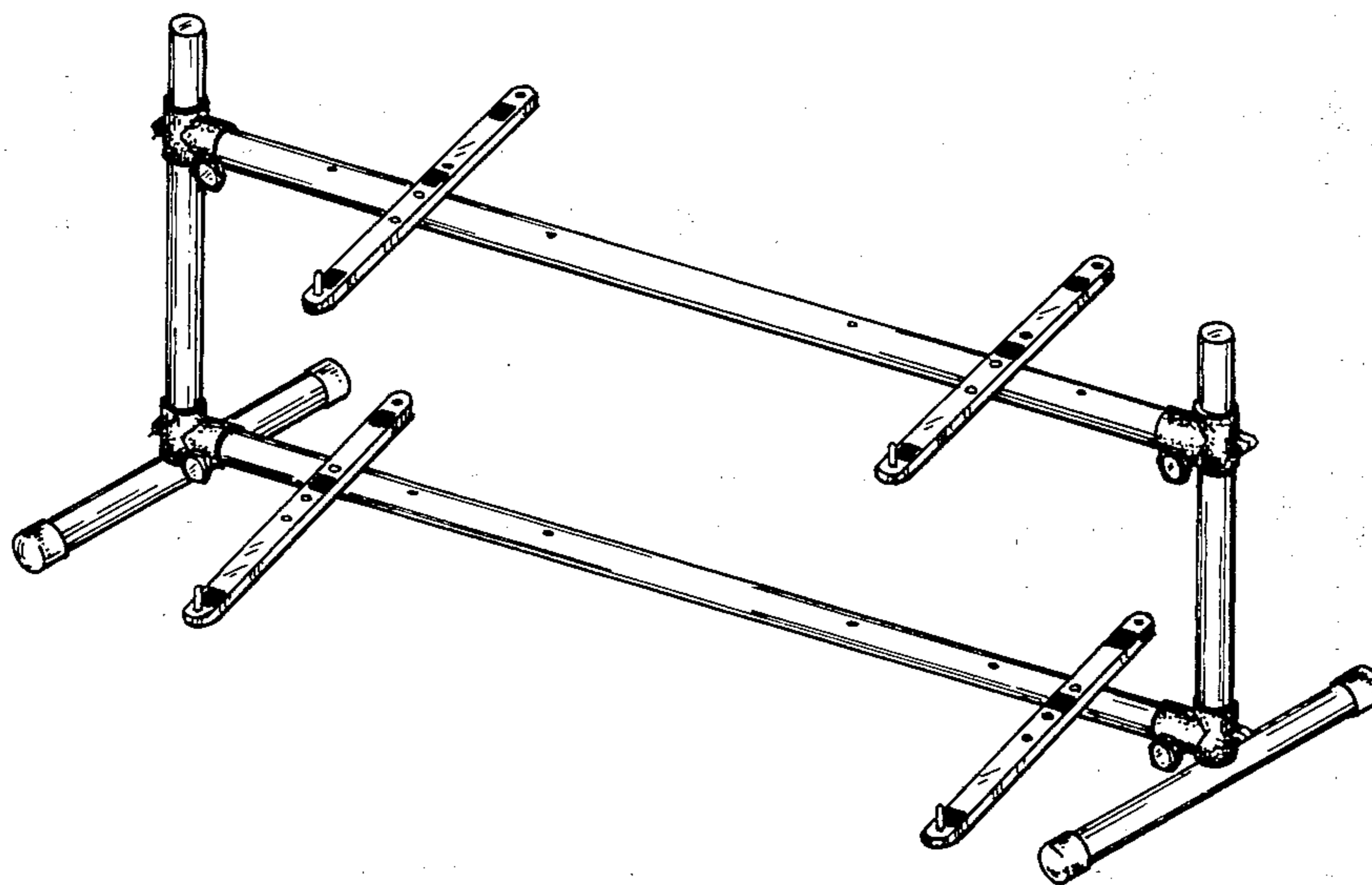
Primary Examiner—Carmen H. Vales

[57] **CLAIM**

The ornamental design for a keyboard stacker, as shown.

DESCRIPTION

FIG. 1 is a perspective view of a keyboard stacker showing my new design;
FIG. 2 is a front elevational view thereof;
FIG. 3 is a rear elevational view thereof;
FIG. 4 is a left side elevational view thereof;
FIG. 5 is a right side elevational view thereof;
FIG. 6 is a top plan view thereof; and
FIG. 7 is a bottom plan view thereof.



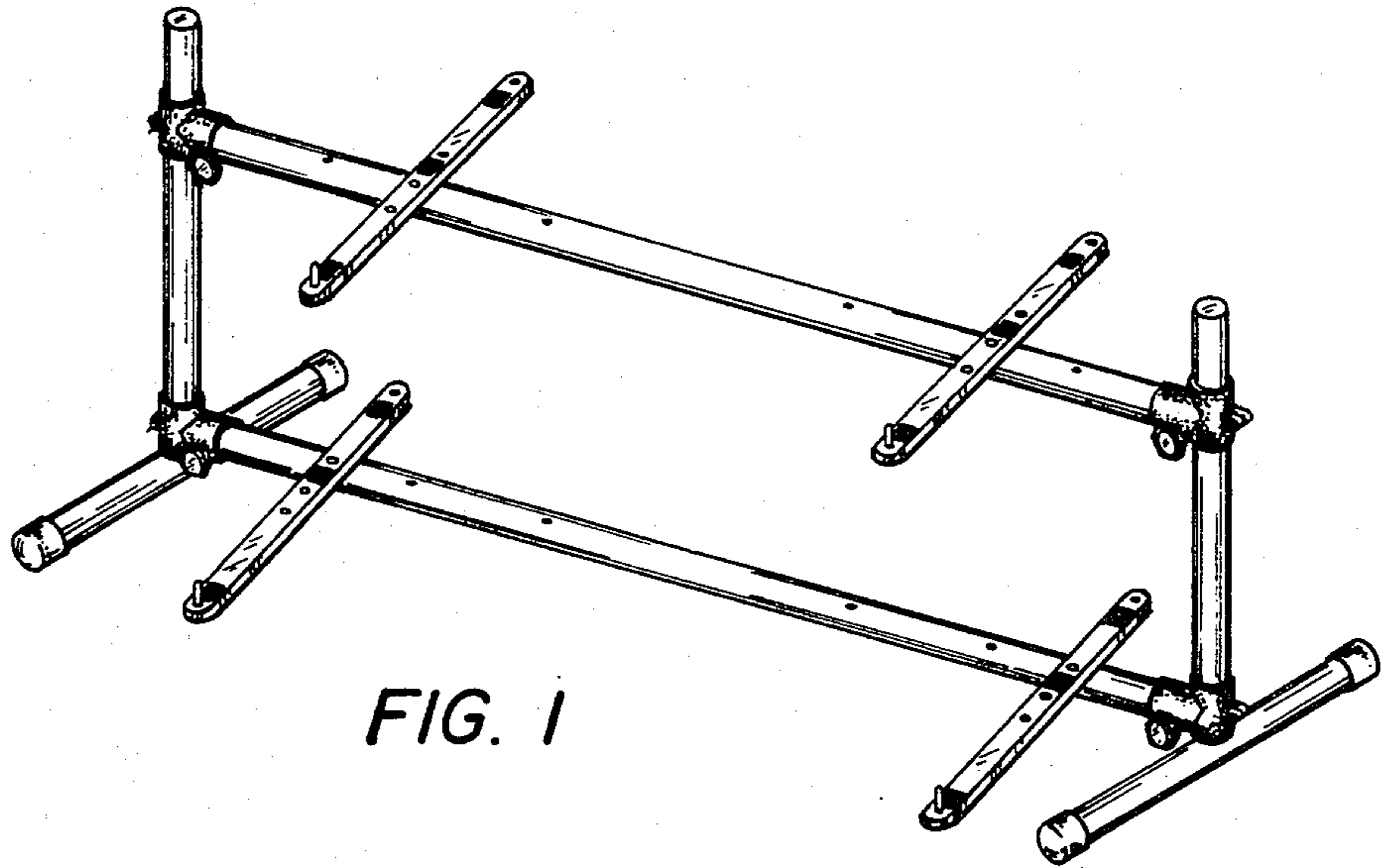


FIG. 1

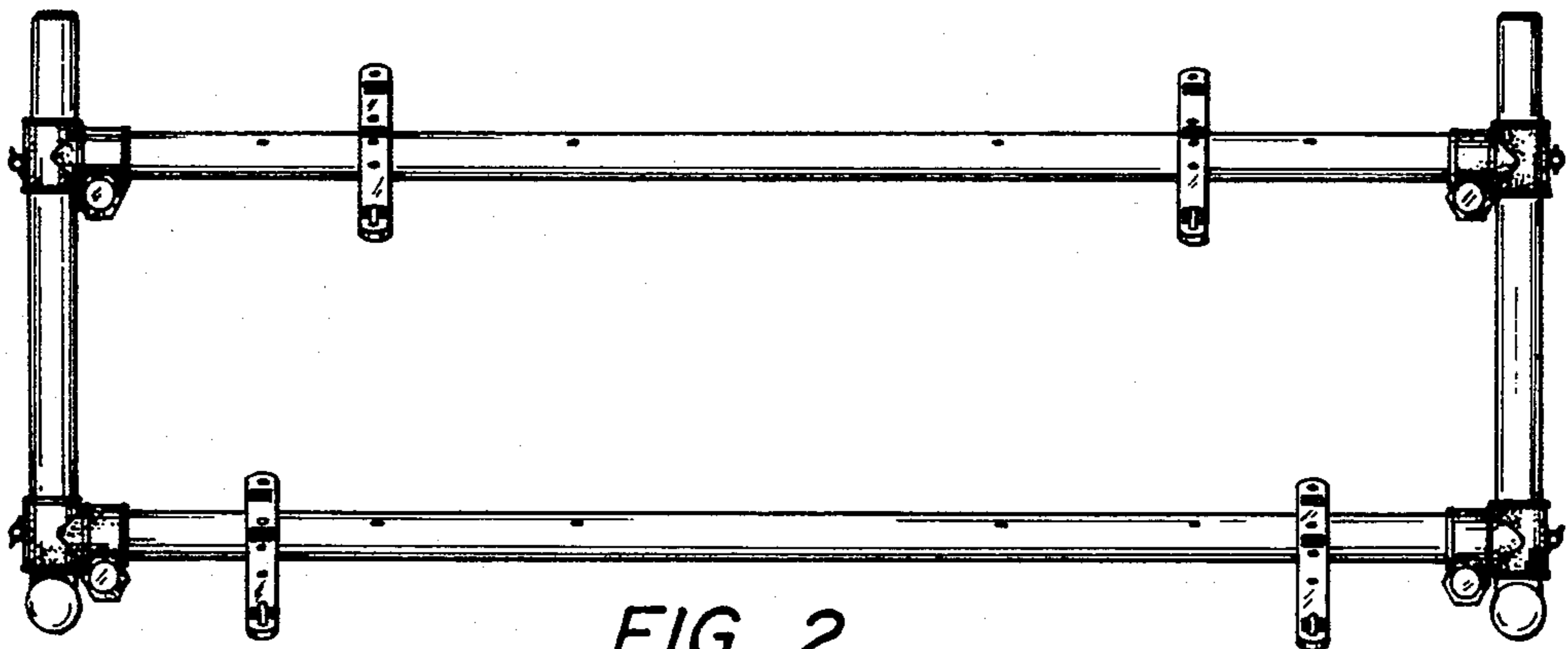


FIG. 2

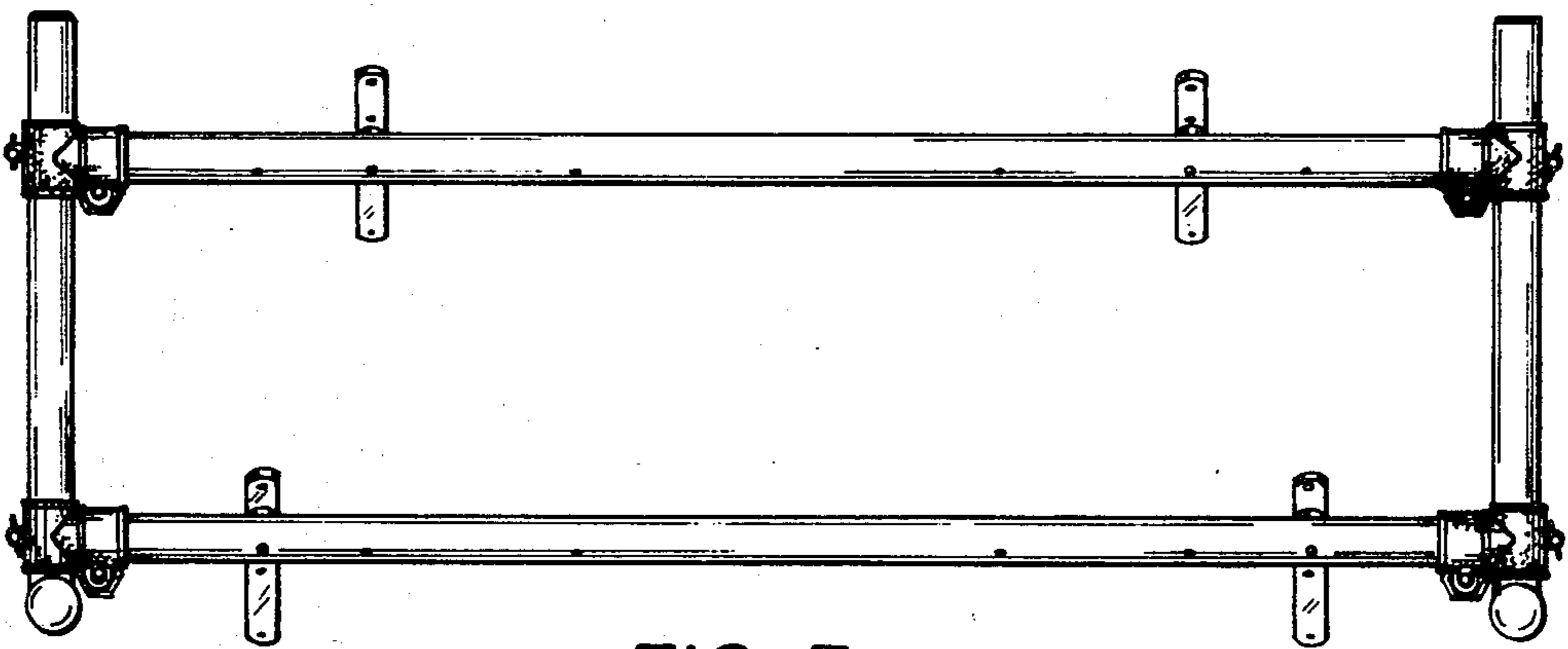


FIG. 3

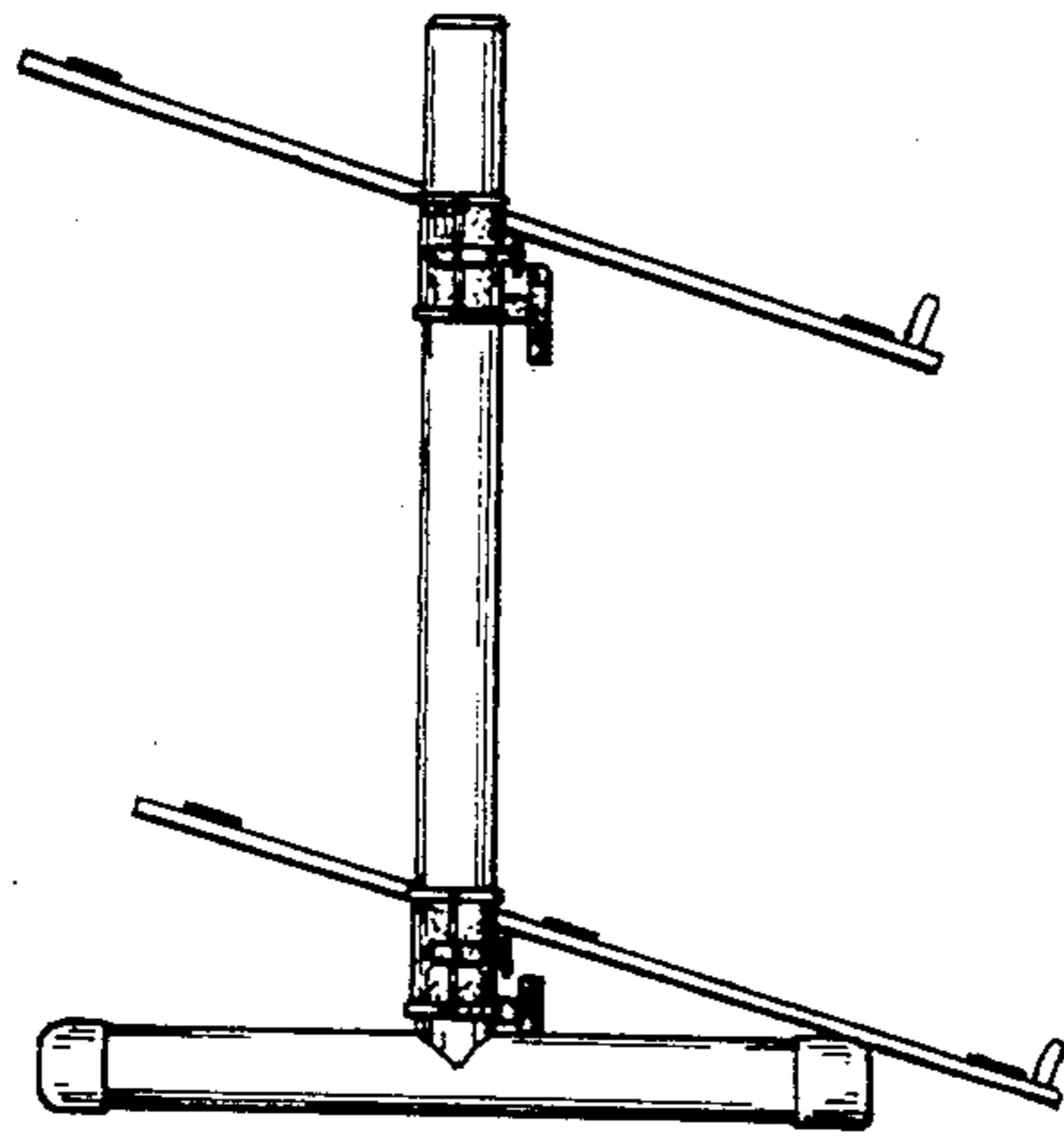


FIG. 4

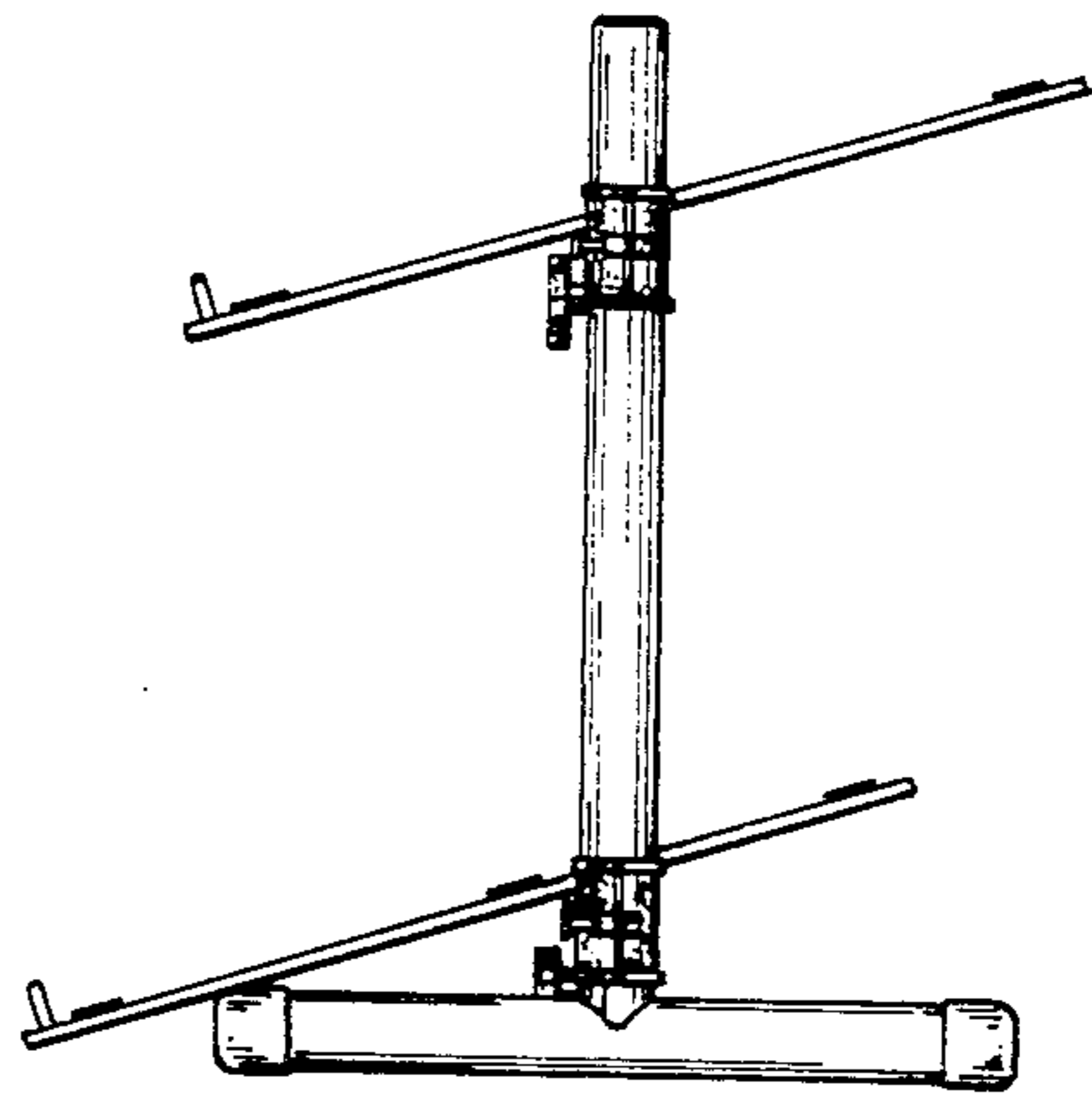


FIG. 5

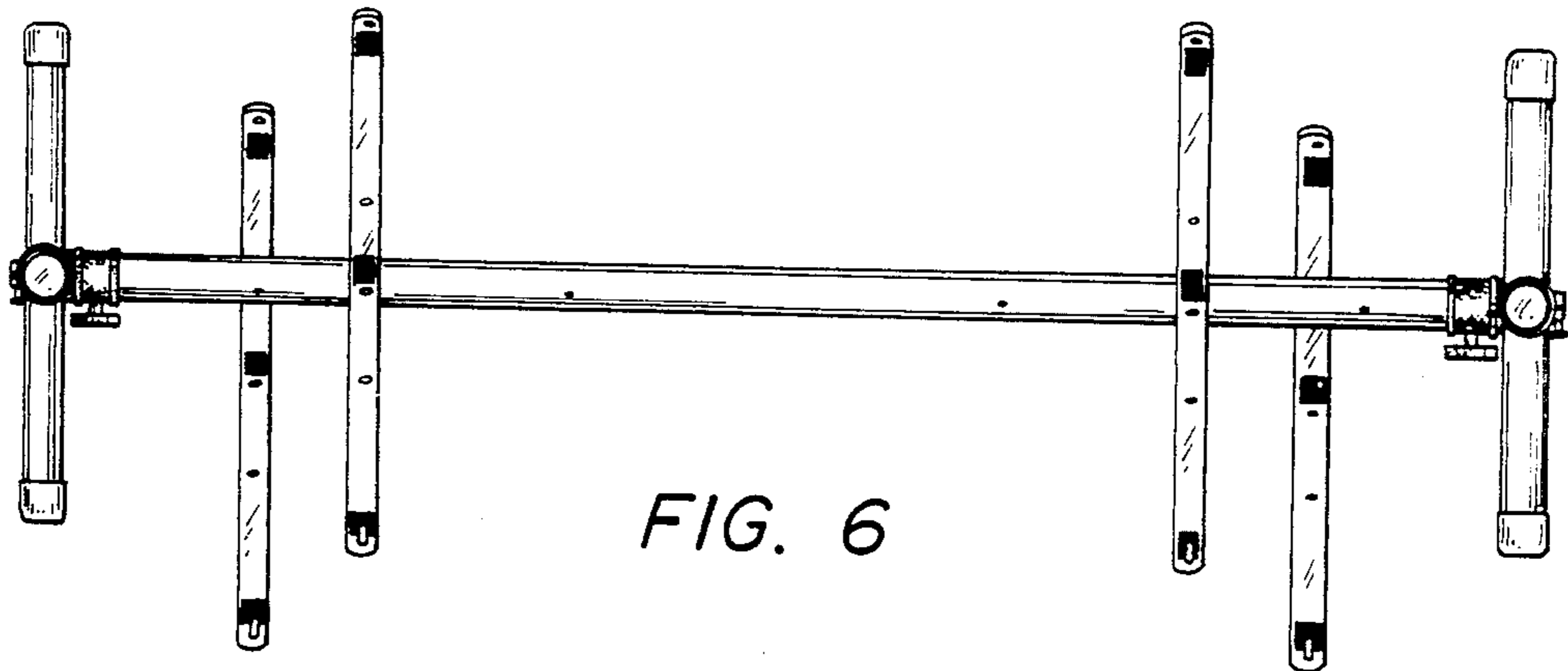


FIG. 6

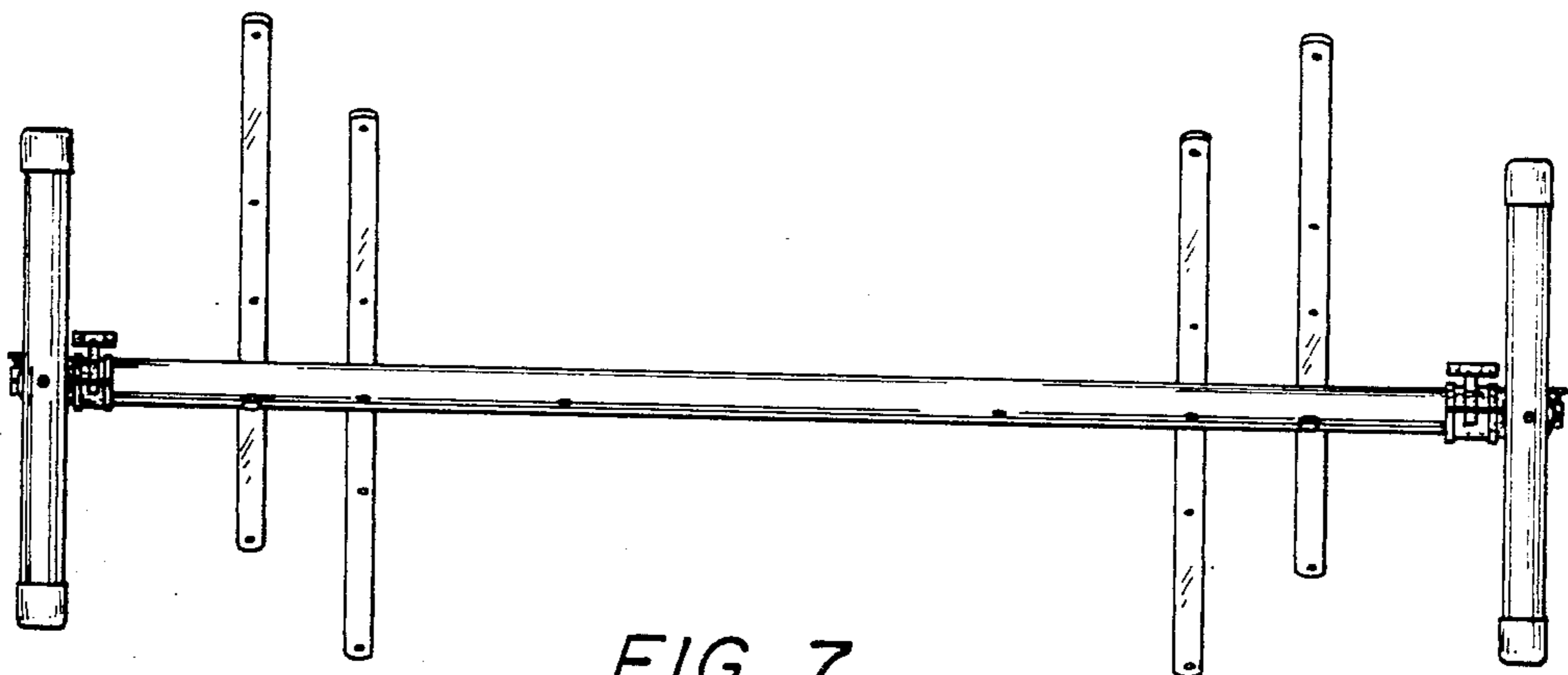


FIG. 7