

[54] **MULTI-POSITION EXAMINATION CHAIR**

[75] **Inventor: Terry J. Simpkins, Snowmass Village, Colo.**

[73] **Assignee: Midmark Corporation, Versailles, Ohio**

[\*\*] **Term: 14 Years**

[21] **Appl. No.: 466,705**

[22] **Filed: Feb. 15, 1983**

[52] **U.S. Cl. .... D6/335; D6/367; 297/325**

[58] **Field of Search ..... D6/334, 335, 367; 297/325, 330**

[56] **References Cited**

**U.S. PATENT DOCUMENTS**

- D. 206,065 10/1966 Vaughn et al. .... D6/22
- D. 223,489 4/1972 Olsen ..... D6/22
- D. 238,019 12/1975 Leffler et al. .... D6/37 X
- D. 263,434 3/1982 Miller ..... D6/22
- D. 268,149 3/1983 Case ..... D6/22

4,168,099 9/1979 Jacobs et al. .... 297/325

**OTHER PUBLICATIONS**

Maquet, "Für Klinik und Praxis—Möbiliar für Untersuchung", *Prospekt Nr. (Catlog No.): 800-3*, pp. 105-115.

*Primary Examiner*—Bruce W. Dunkins

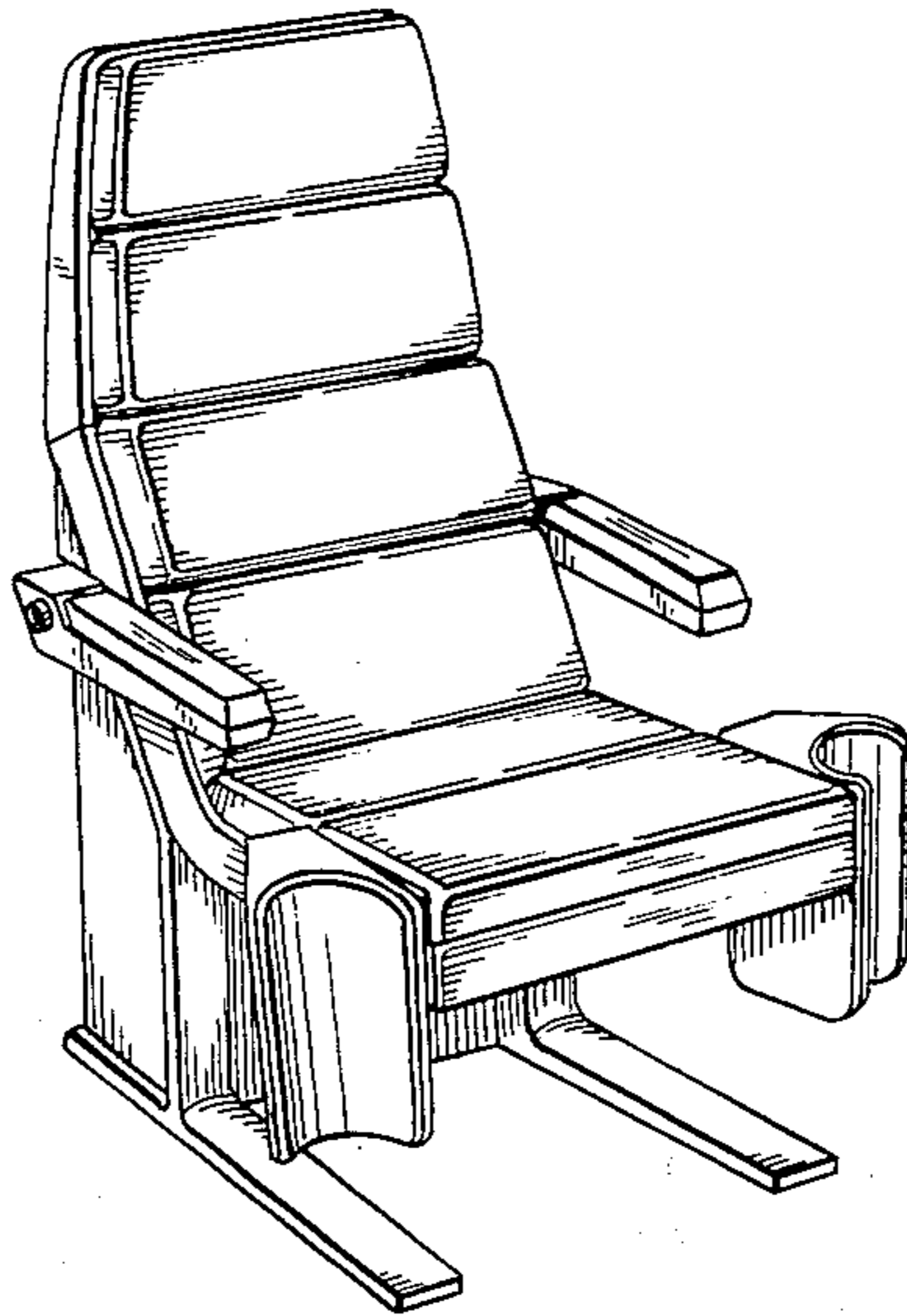
*Attorney, Agent, or Firm*—Biebel, French & Nauman

[57] **CLAIM**

The ornamental design for a multi-position examination chair, substantially as shown.

**DESCRIPTION**

FIG. 1 is a front perspective view of a multi-position examination chair showing my design;  
FIG. 2 is a front elevational view of the chair;  
FIG. 3 is a side elevational view of the chair;  
FIG. 4 is a rear elevational view of the chair;  
FIG. 5 is a top plan view of the chair;  
FIG. 6 is a three-quarter view of the chair showing the chair in a second position; and  
FIG. 7 is a three-quarter view of the chair showing the chair in a third position.



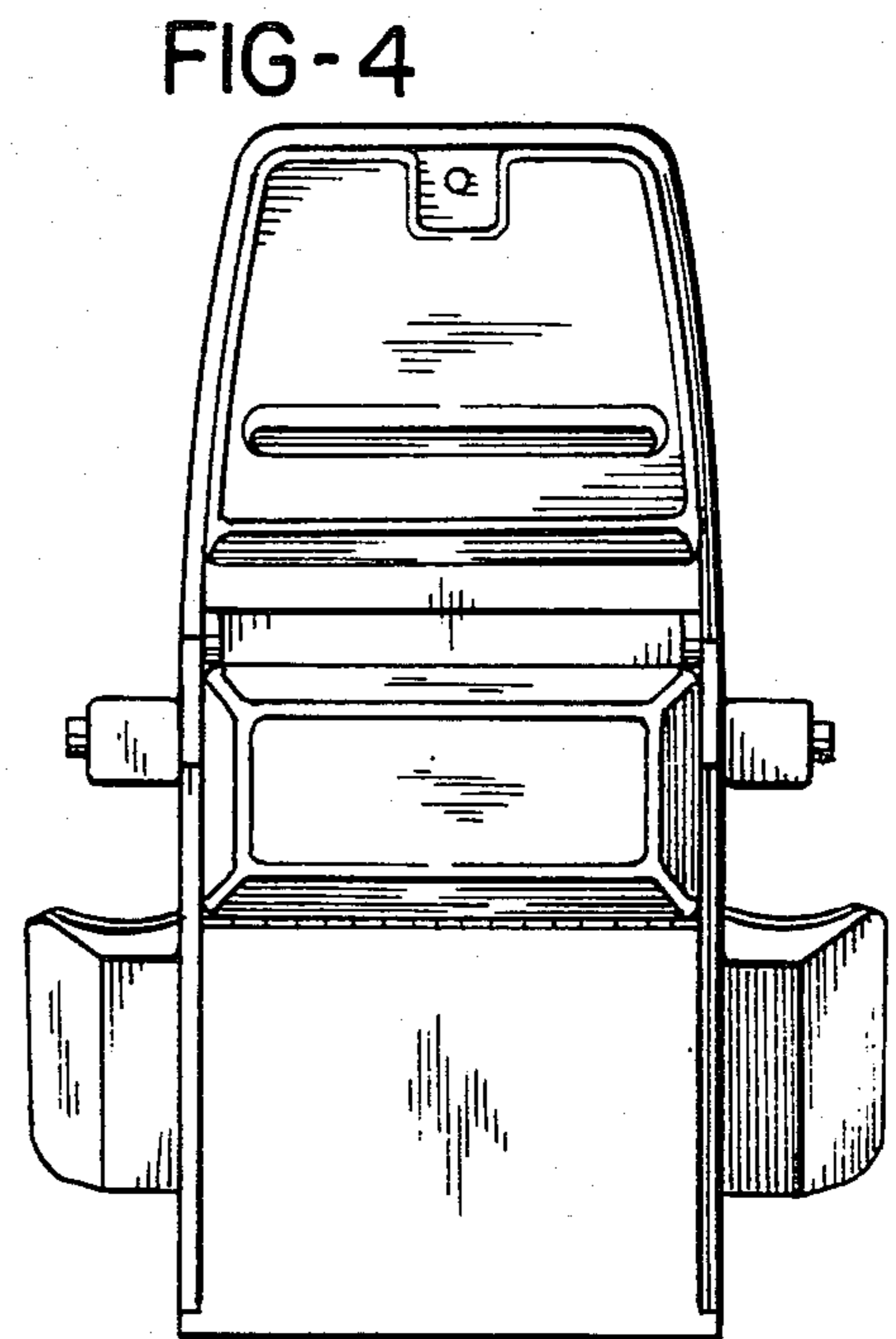
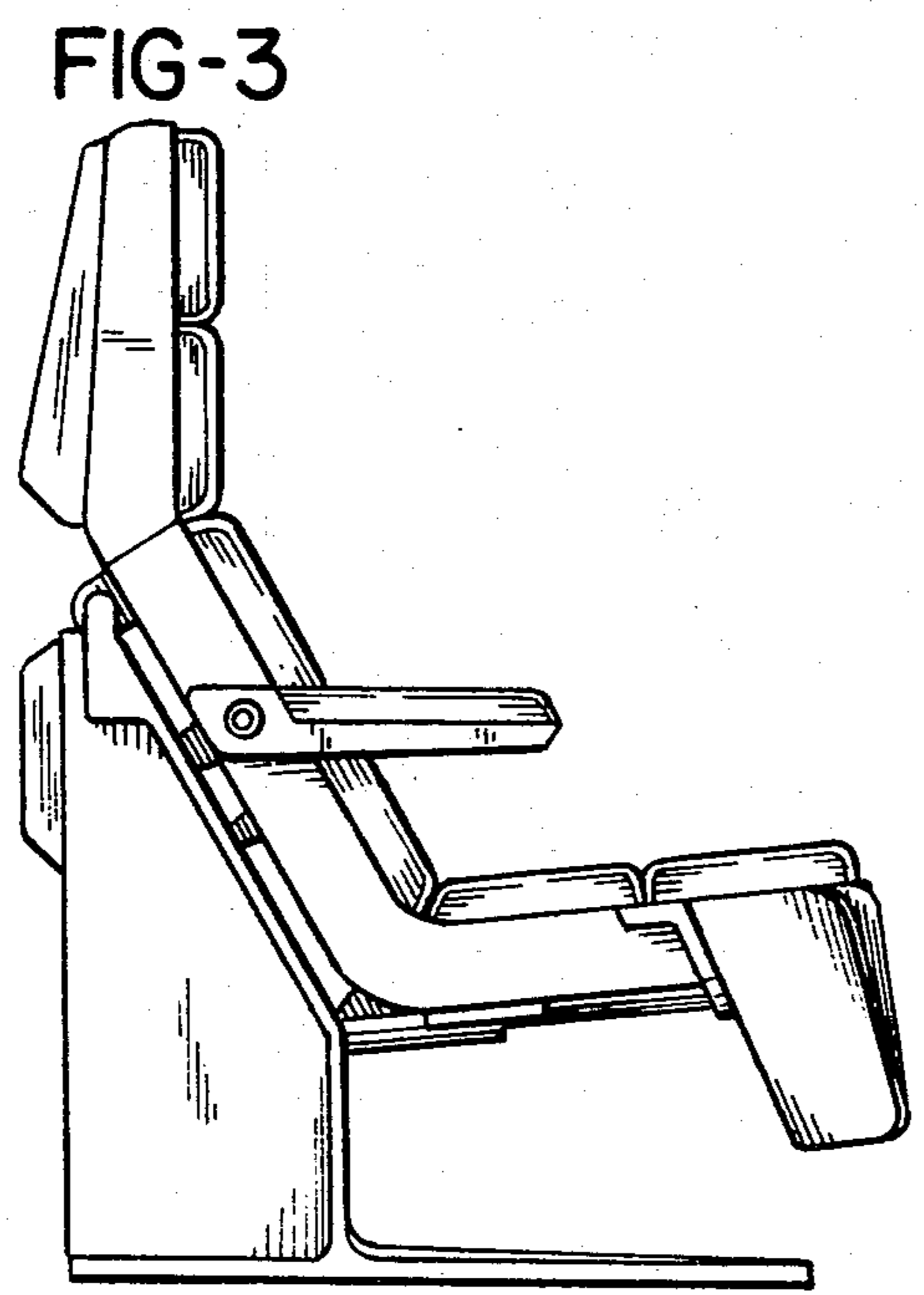
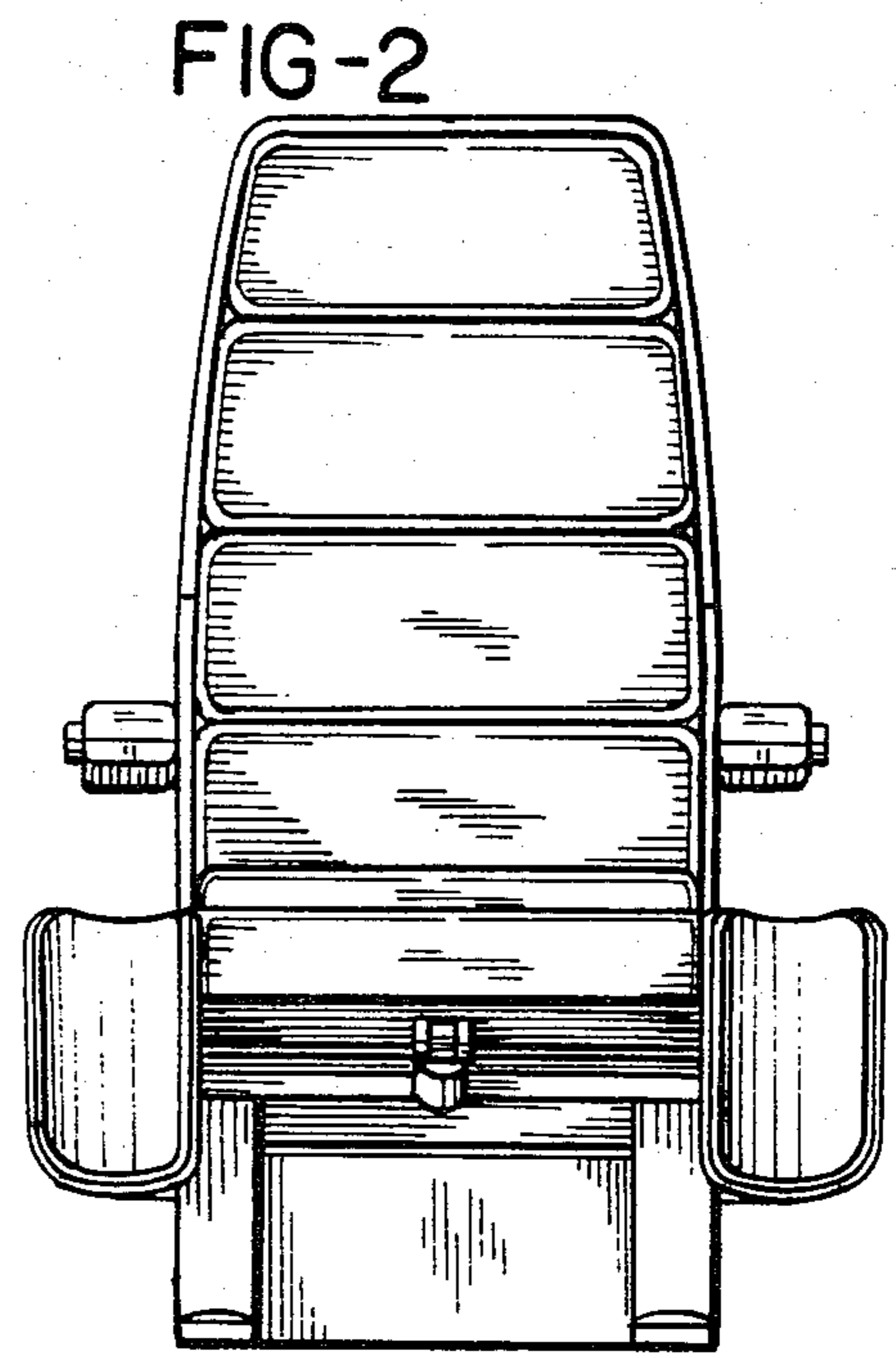
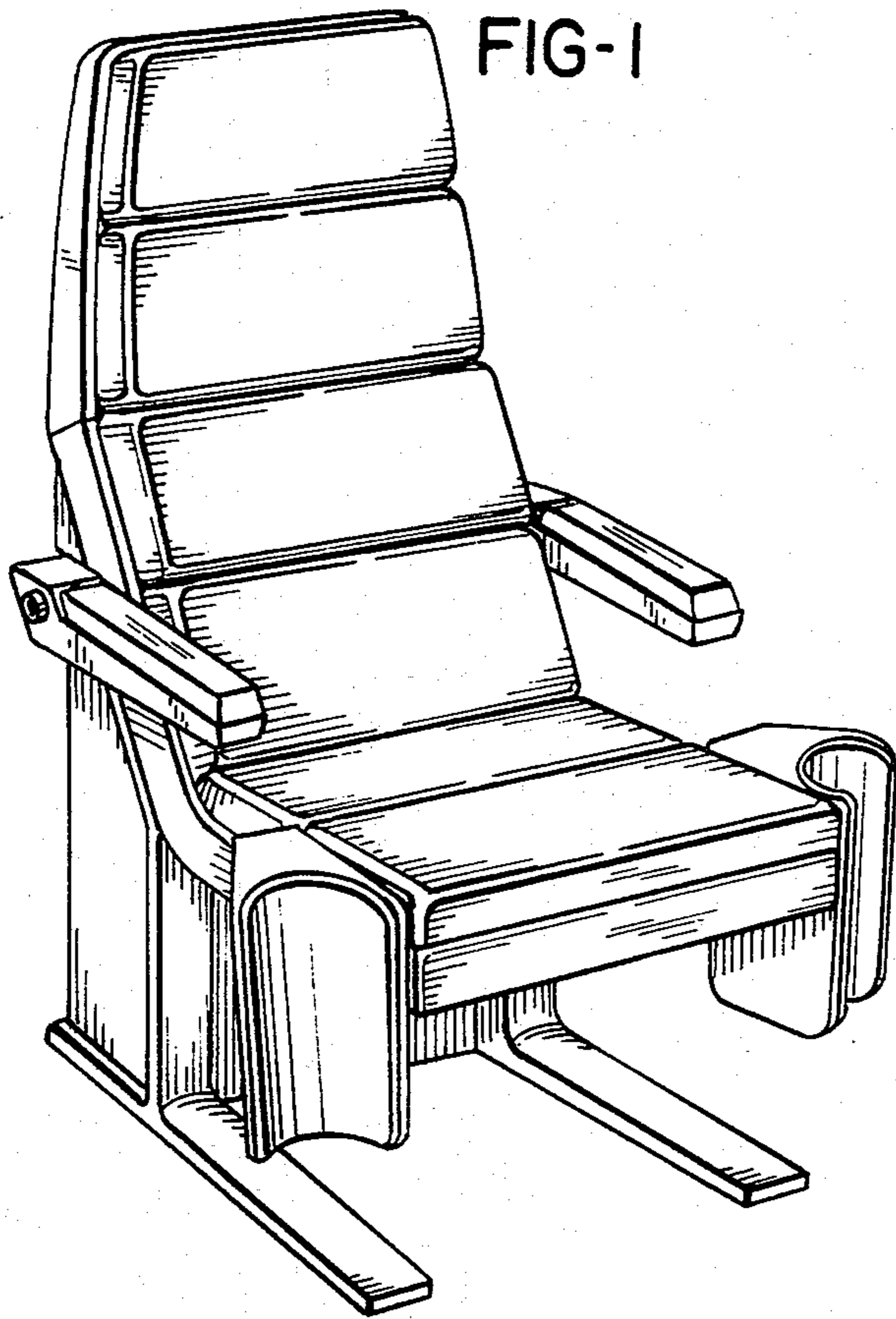


FIG-5

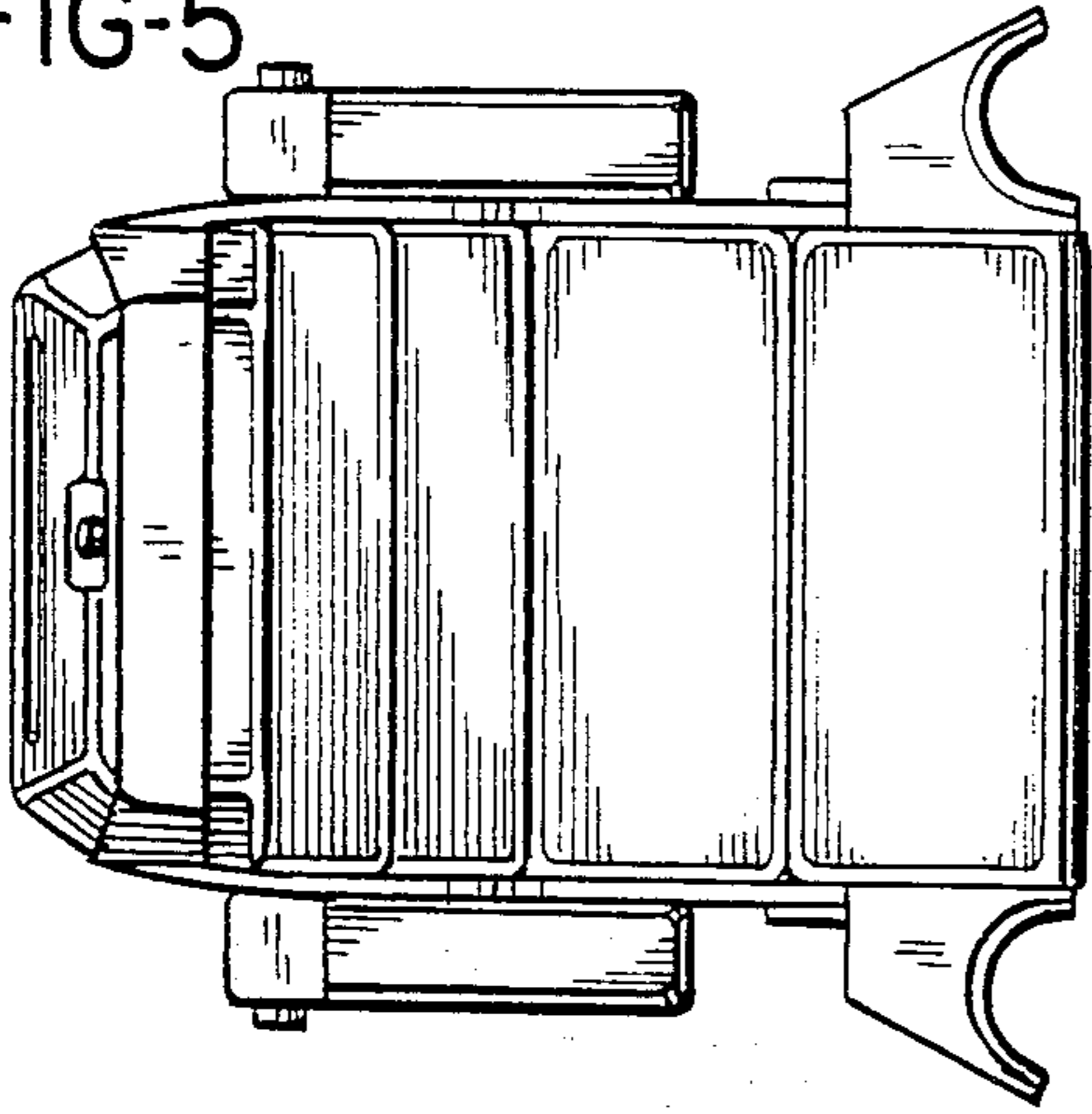


FIG-6

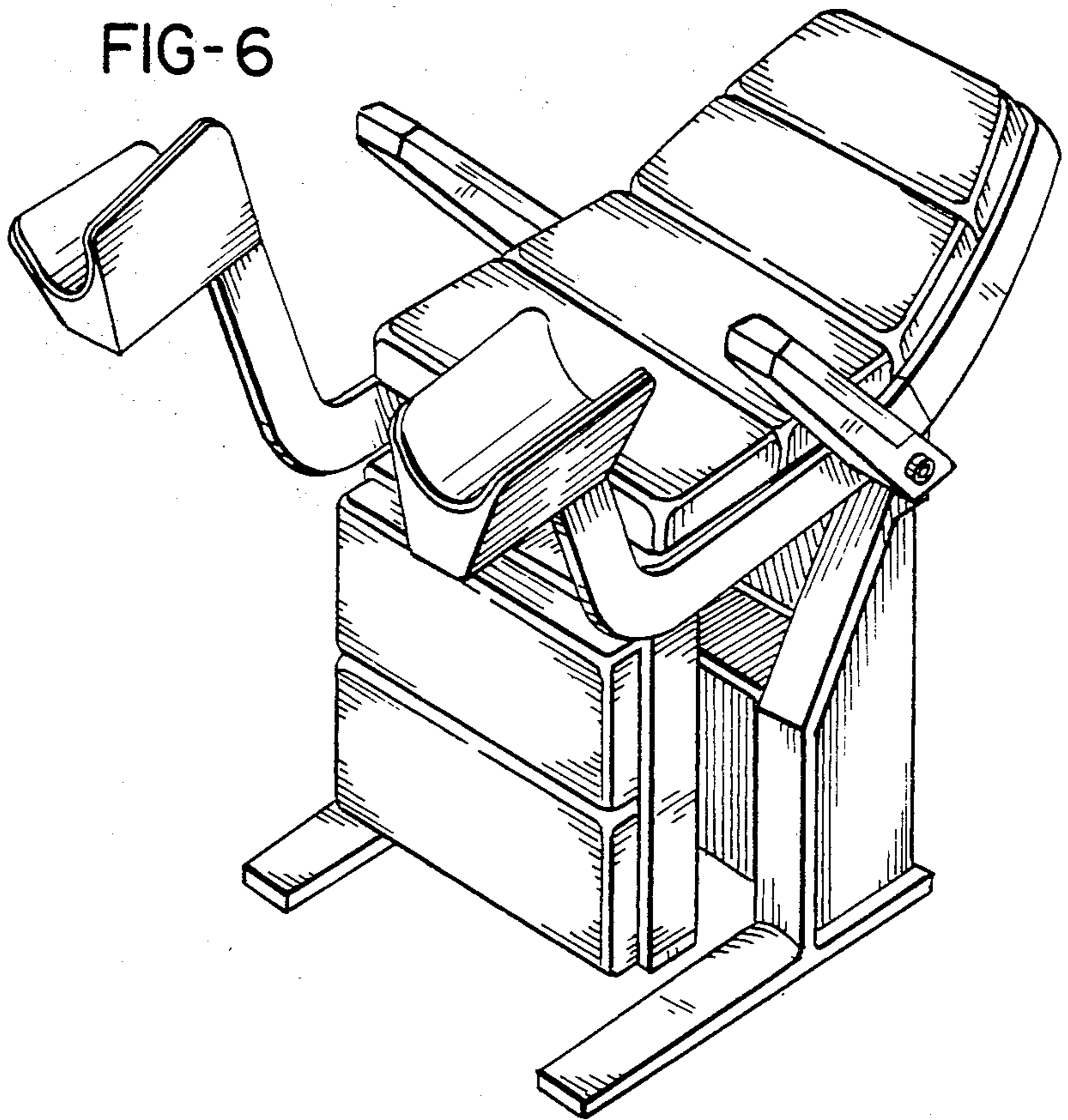


FIG-7

