

[54] A PORTABLE SEAT FOR USE IN TRANSPORTING AN INDIVIDUAL

[76] Inventor: Alvin M. Jacobson, Rte. 1, Box 67, Ostrander, Minn. 55961

[**] Term: 14 Years

[21] Appl. No.: 474,122

[22] Filed: Mar. 10, 1983

[52] U.S. Cl. D6/334; D6/340; D6/376; D6/334;340;344;354;347;376

[58] Field of Search 297/195, 183

[56] References Cited

U.S. PATENT DOCUMENTS

D. 31,314	8/1899	Kling	D6/500
D. 178,996	10/1956	Gordon	D6/354
D. 261,450	10/1981	Jenkins	D6/354
D. 271,727	12/1983	Opsvik	D6/334

3,938,860 2/1976 Cobb D6/334 X

Primary Examiner—Bruce W. Dunkins
Attorney, Agent, or Firm—Burd, Bartz & Gutenkauf

[57] CLAIM

An ornamental design for a portable seat for use in transporting an individual, as shown and described.

DESCRIPTION

FIG. 1 is a perspective view of a portable seat for use in transporting an individual as seen from the top thereof showing my new design;

FIG. 2 is a bottom view thereof;

FIG. 3 is a side view thereof, the opposite side being identical thereto;

FIG. 4 is an end thereof, the opposite end being identical thereto; and

FIG. 5 is a sectional view taken along line 5—5 of FIG. 3.

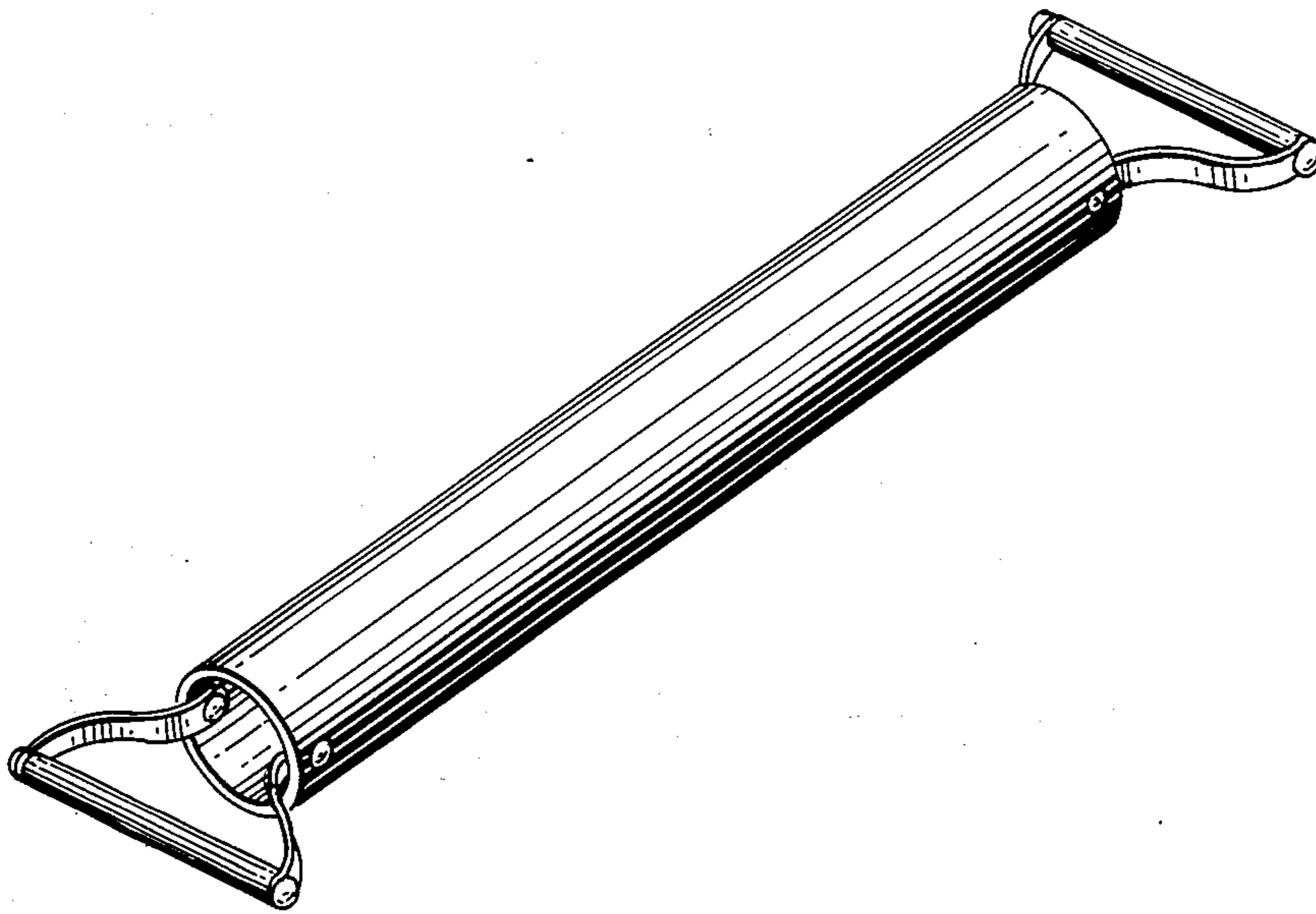


Fig. 1

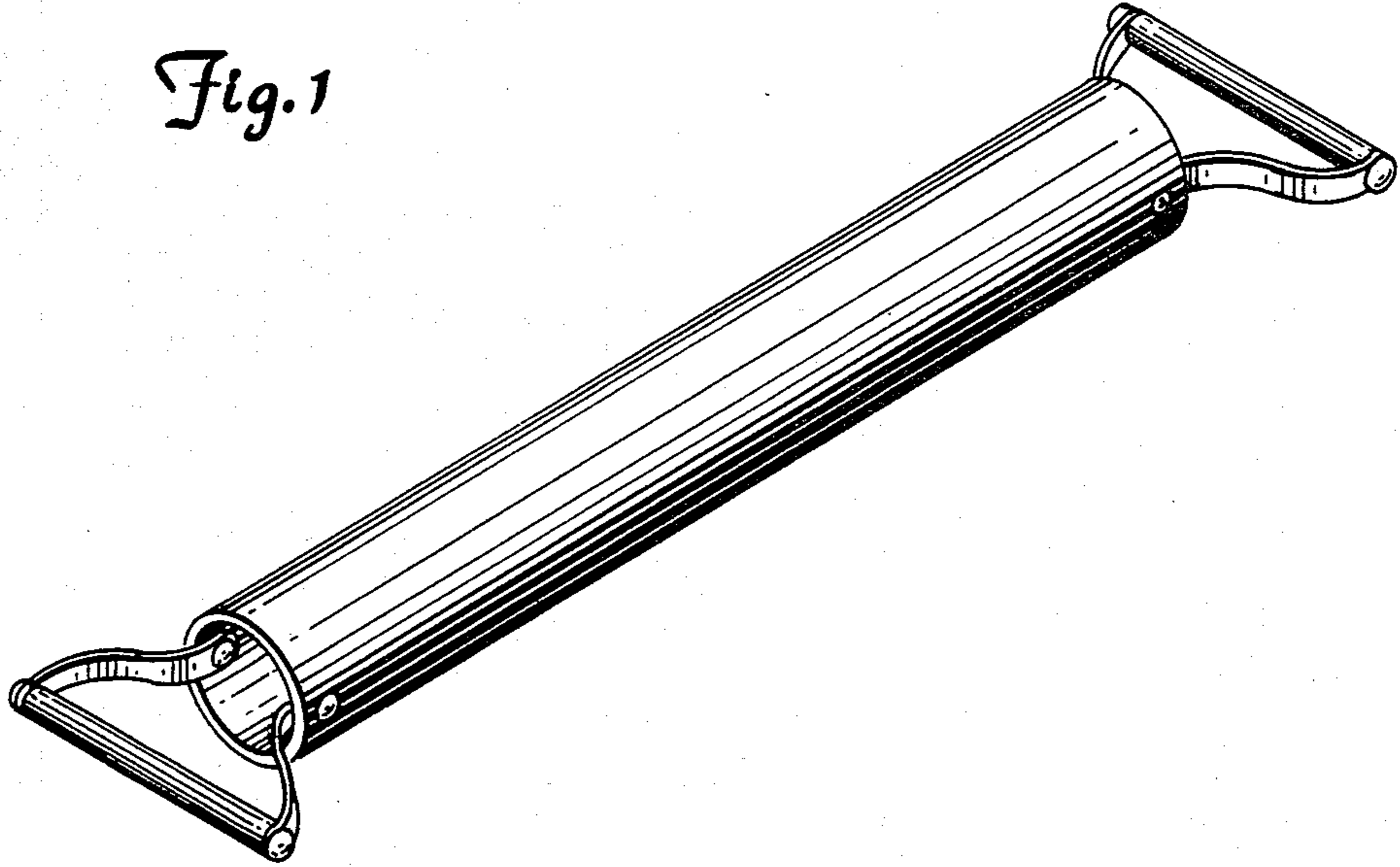


Fig. 2

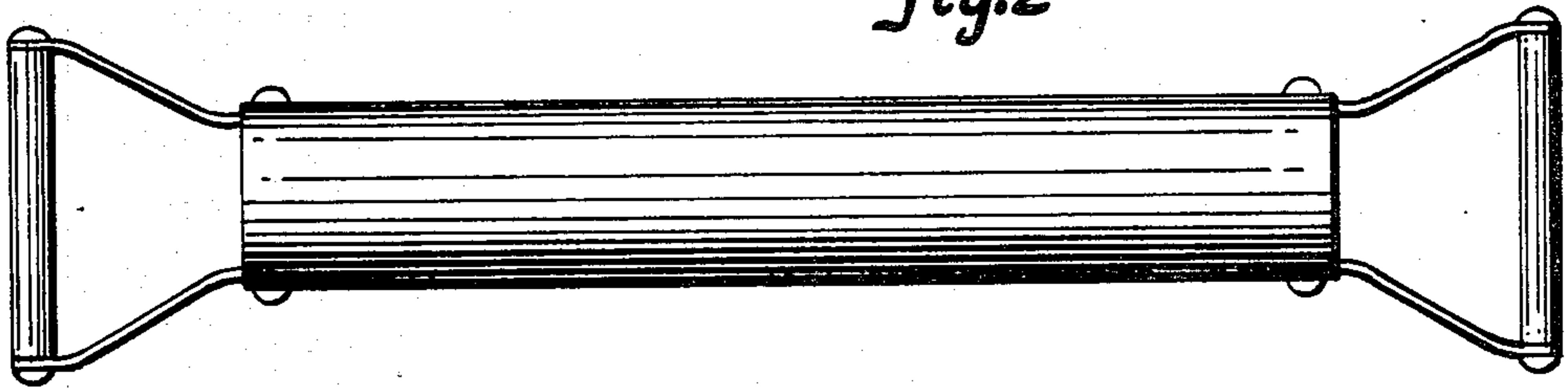


Fig. 3

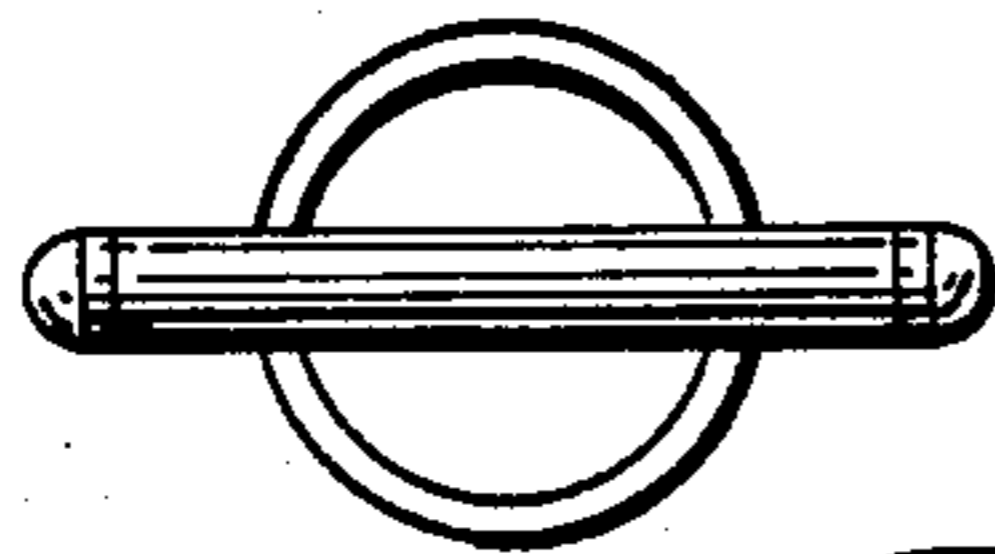
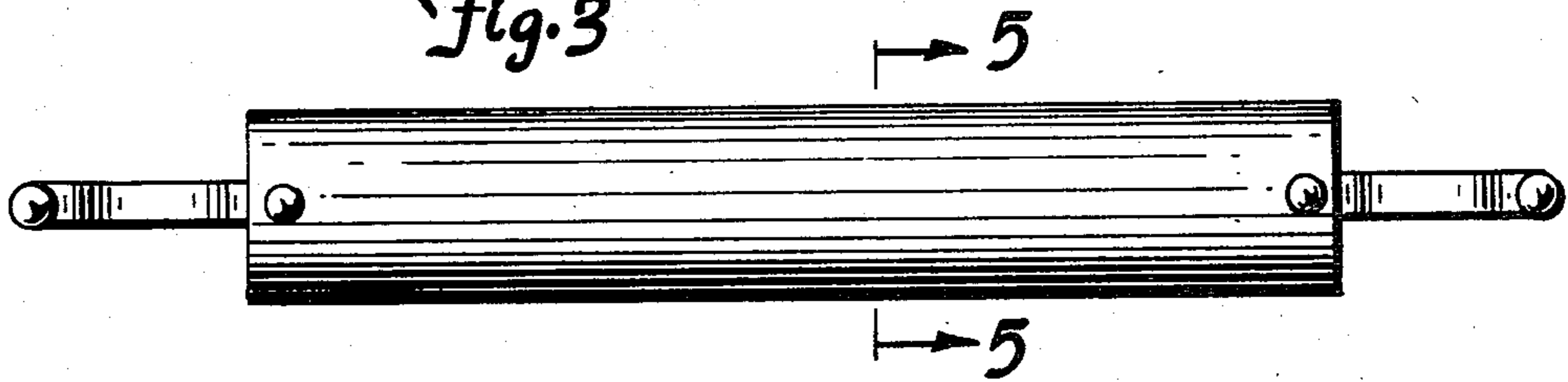


Fig. 4

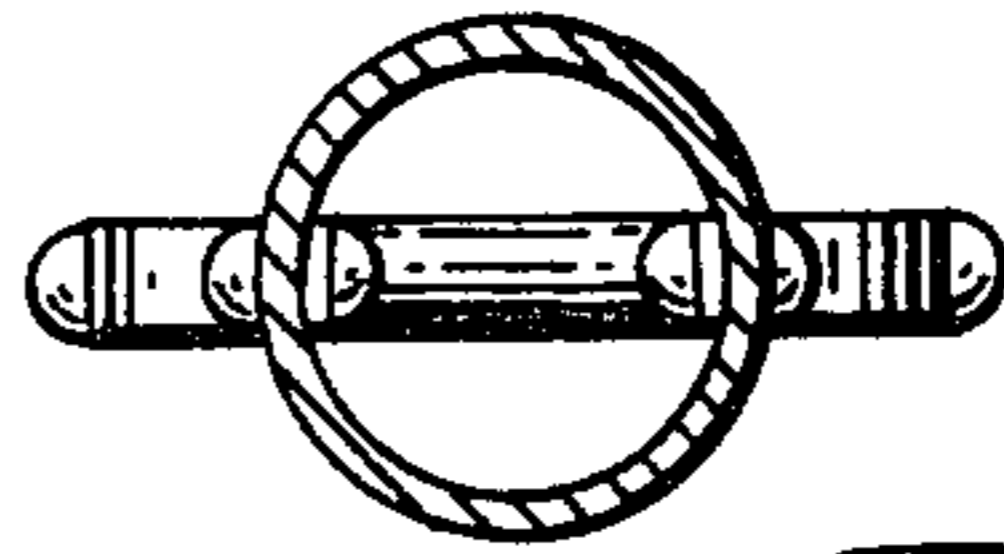


Fig. 5