

# United States Patent [19]

Green et al.

[11] Patent Number: **Des. 278,656**

[45] Date of Patent: **\*\* Apr. 30, 1985**

[54] **SURGICAL SKIN STAPLER**

[75] Inventors: **David T. Green, Norwalk; Paul O. Rawson, Easton; Richard H. Yagami, Bridgewater, all of Conn.**

[73] Assignee: **United States Surgical Corporation, Norwalk, Conn.**

[\*\*] Term: **14 Years**

[21] Appl. No.: **375,003**

[22] Filed: **May 5, 1982**

[52] U.S. Cl. .... **D24/26; D24/27; D8/49**

[58] Field of Search ..... **D24/26, 27, 8, 29; D8/49, 50, 51; 128/305, 334, 335, 337; 227/19, 76, 110, 120, 129, 156, 127, 134, DIG. 1; 72/410**

[56] **References Cited**

### U.S. PATENT DOCUMENTS

D. 271,714 12/1983 Green ..... D24/36  
3,576,288 4/1971 Green ..... 227/111

4,109,844 8/1978 Becht ..... 227/120  
4,179,057 12/1979 Becht et al. .... 227/19  
4,316,468 2/1982 Klieman et al. .... 128/325  
4,411,378 10/1983 Warman ..... 227/DIG. 1

*Primary Examiner*—A. Hugo Word

*Assistant Examiner*—Suzanne N. Gitlin

*Attorney, Agent, or Firm*—John E. Nathan; Stephen P. Gilbert

### [57] CLAIM

The ornamental design for a surgical skin stapler, as shown in the accompanying drawings.

### DESCRIPTION

FIG. 1 is a perspective view of a surgical skin stapler showing our new design;

FIG. 2 is a side elevational view thereof;

FIG. 3 is a top plan view thereof;

FIG. 4 is a bottom plan view thereof;

FIG. 5 is an end elevational view thereof;

FIG. 6 is an end elevational view opposite that shown in FIG. 5.

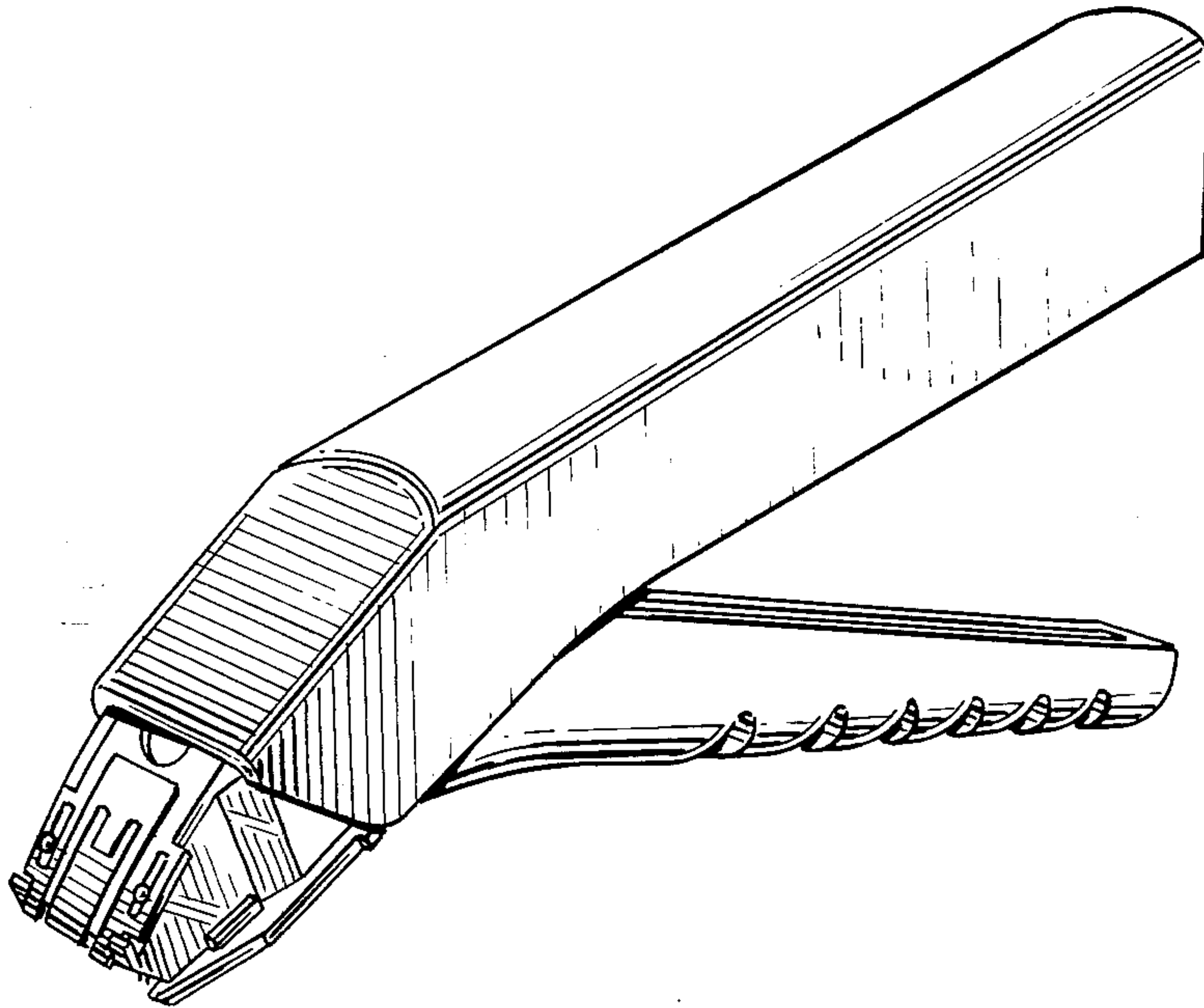


Fig. 1.

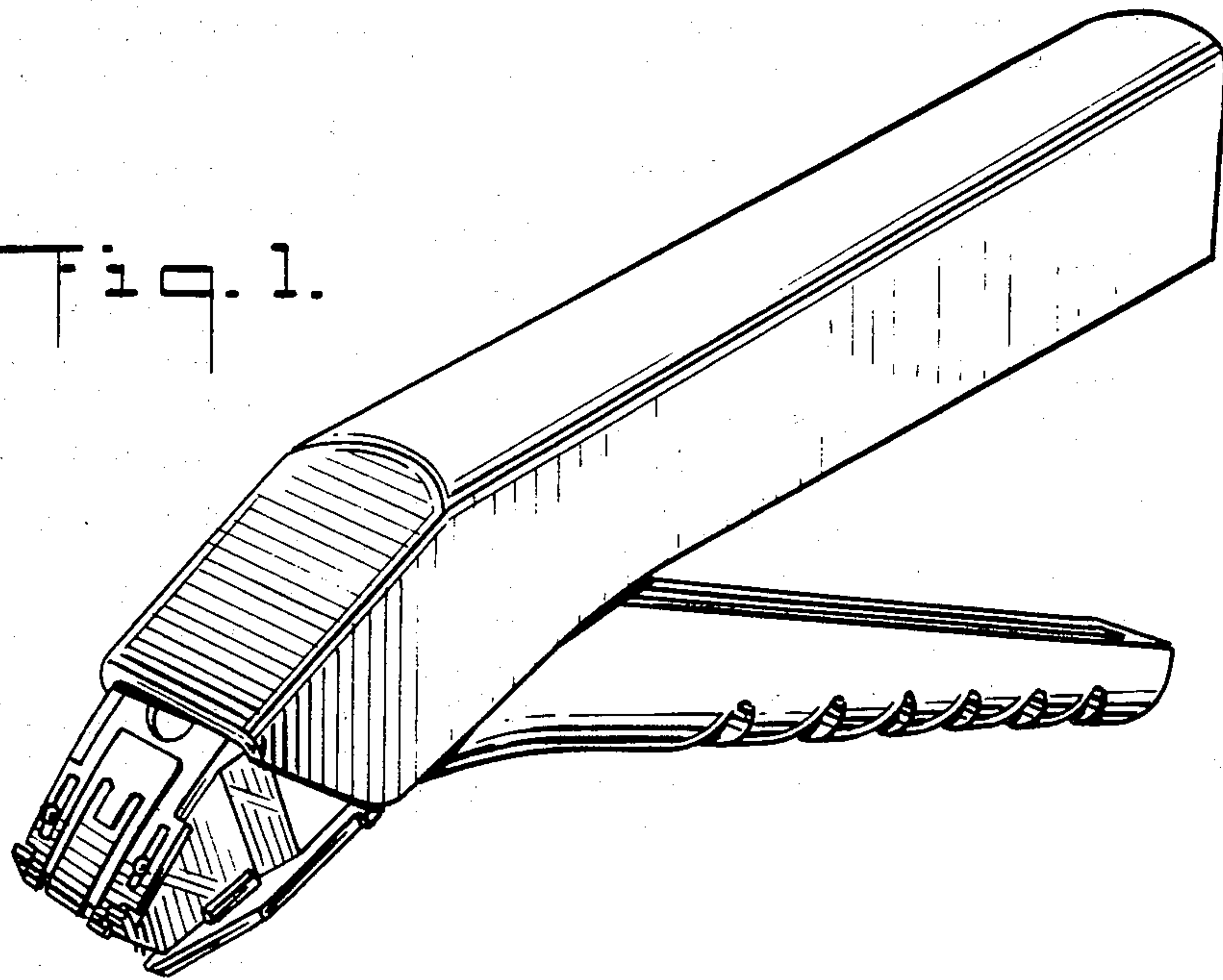


Fig. 2.

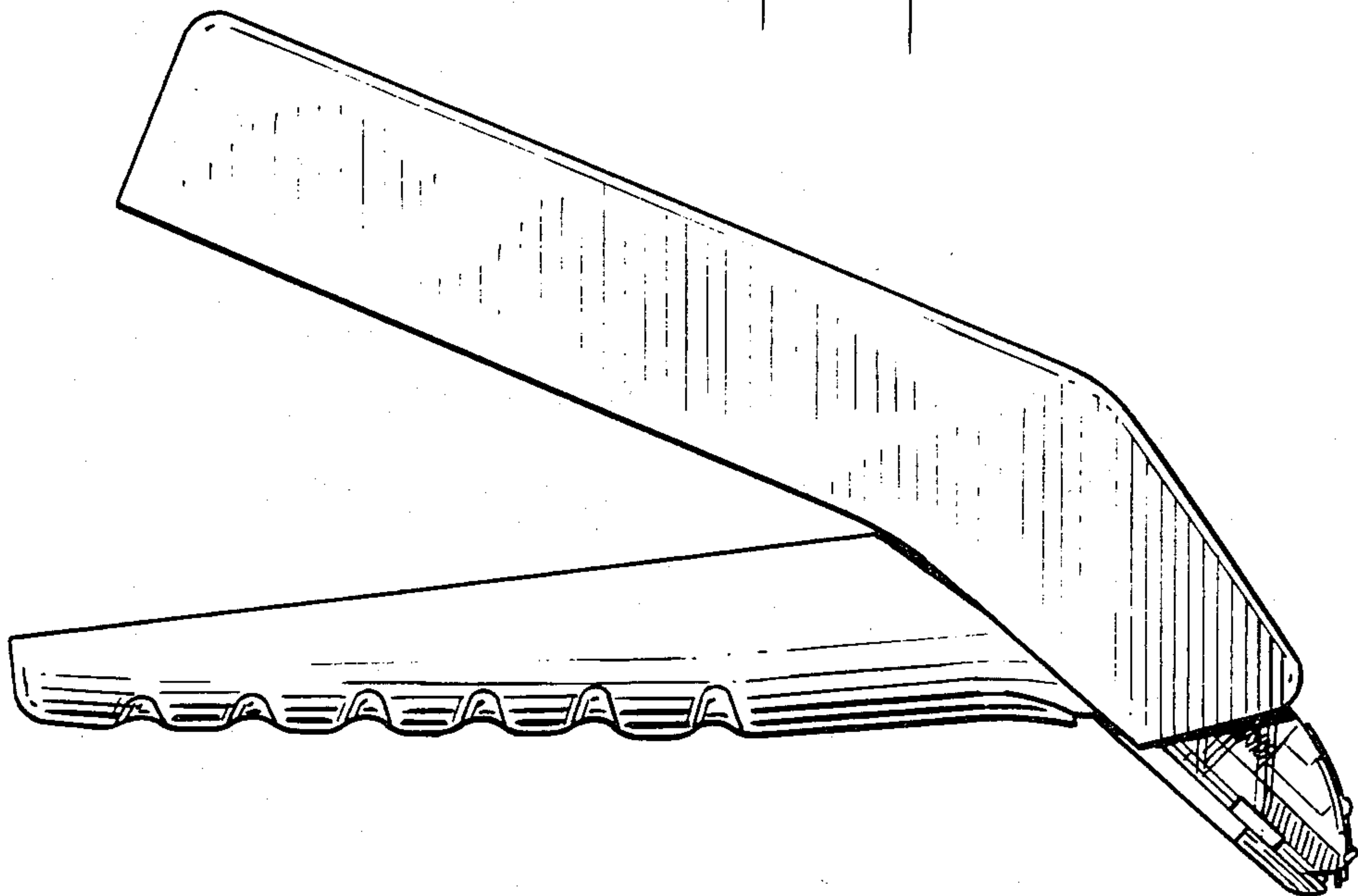


Fig. 3.

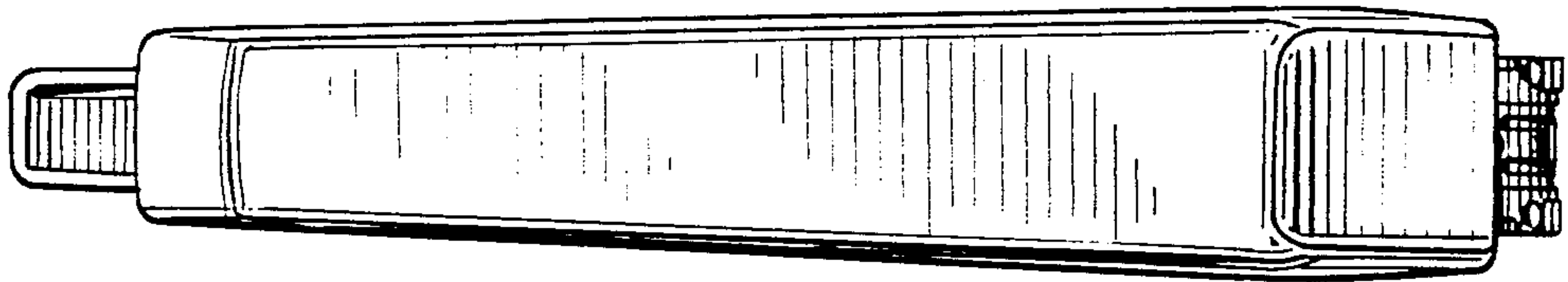


Fig. 4.

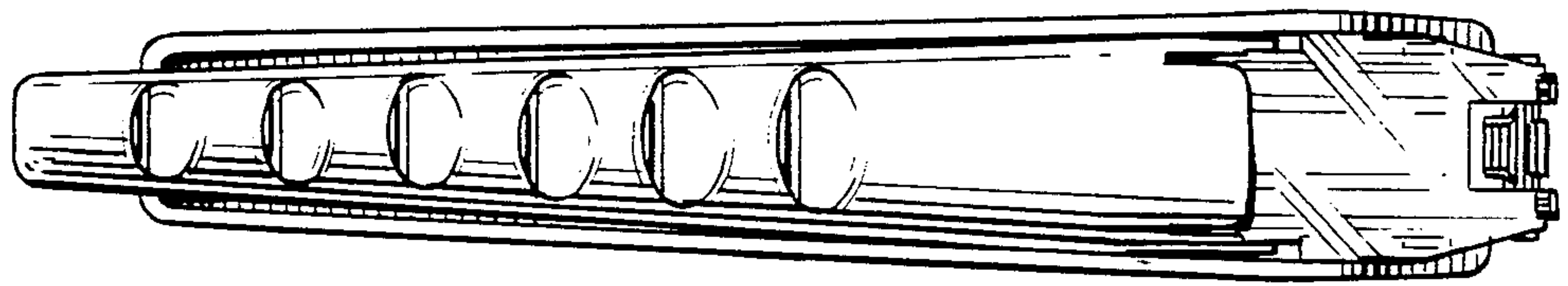


Fig. 5.

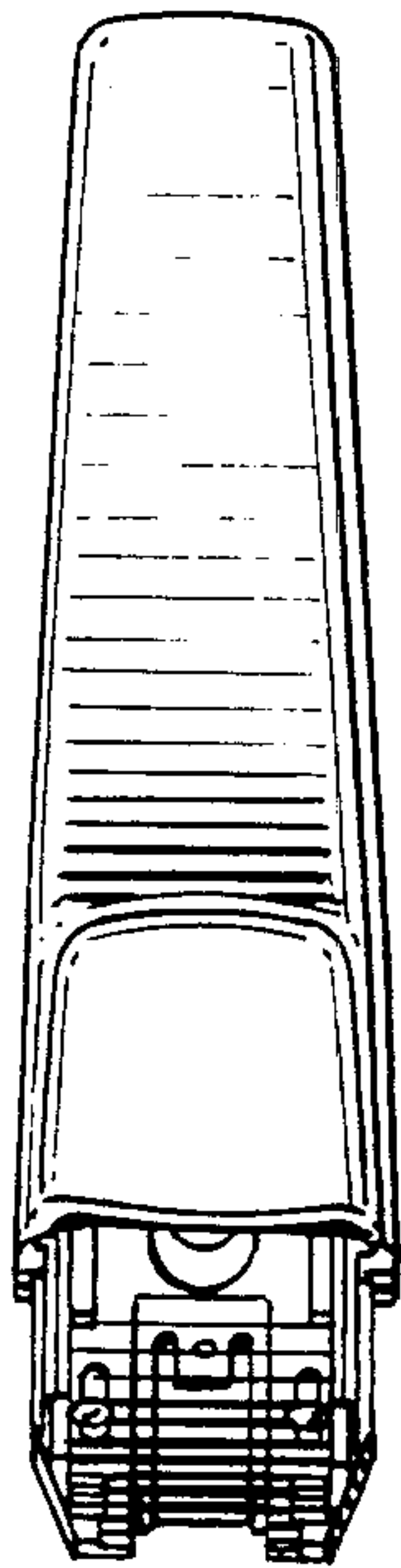


Fig. 6.

