

[54] CENTRIFUGE TUBE FOR SEPARATING AND WASHING RED BLOOD CELLS

[75] Inventors: Steven R. Savitz, Teaneck; Johnna B. Hawk, Rocky Hill; Henry A. Graham, Jr., Annandale; Rosemary K. Chachowski, Manville, all of N.J.

[73] Assignee: Ortho Diagnostic Systems Inc., Raritan, N.J.

[**] Term: 14 Years

[21] Appl. No.: 408,961

[22] Filed: Aug. 17, 1982

[52] U.S. Cl. D24/22

[58] Field of Search D24/17, 31, 29, 25, D24/34, 36, 52, 38, 53, 8, 21, 22; 422/101, 102, 99; 210/772, 927, 446; 604/168, 900, 403; 128/57, 58, 66, 760; 401/190, 131

[56] References Cited

U.S. PATENT DOCUMENTS

D. 194,102 11/1962 Cheifetz D24/22

3,467,591	9/1969	Frant	422/102
4,315,892	2/1982	Stone et al.	422/101
4,364,903	12/1982	Bittings	422/101
4,426,295	1/1984	Evans et al.	210/772
4,435,293	3/1984	Graham, Jr. et al.	210/772

FOREIGN PATENT DOCUMENTS

1195492 6/1968 United Kingdom 422/102

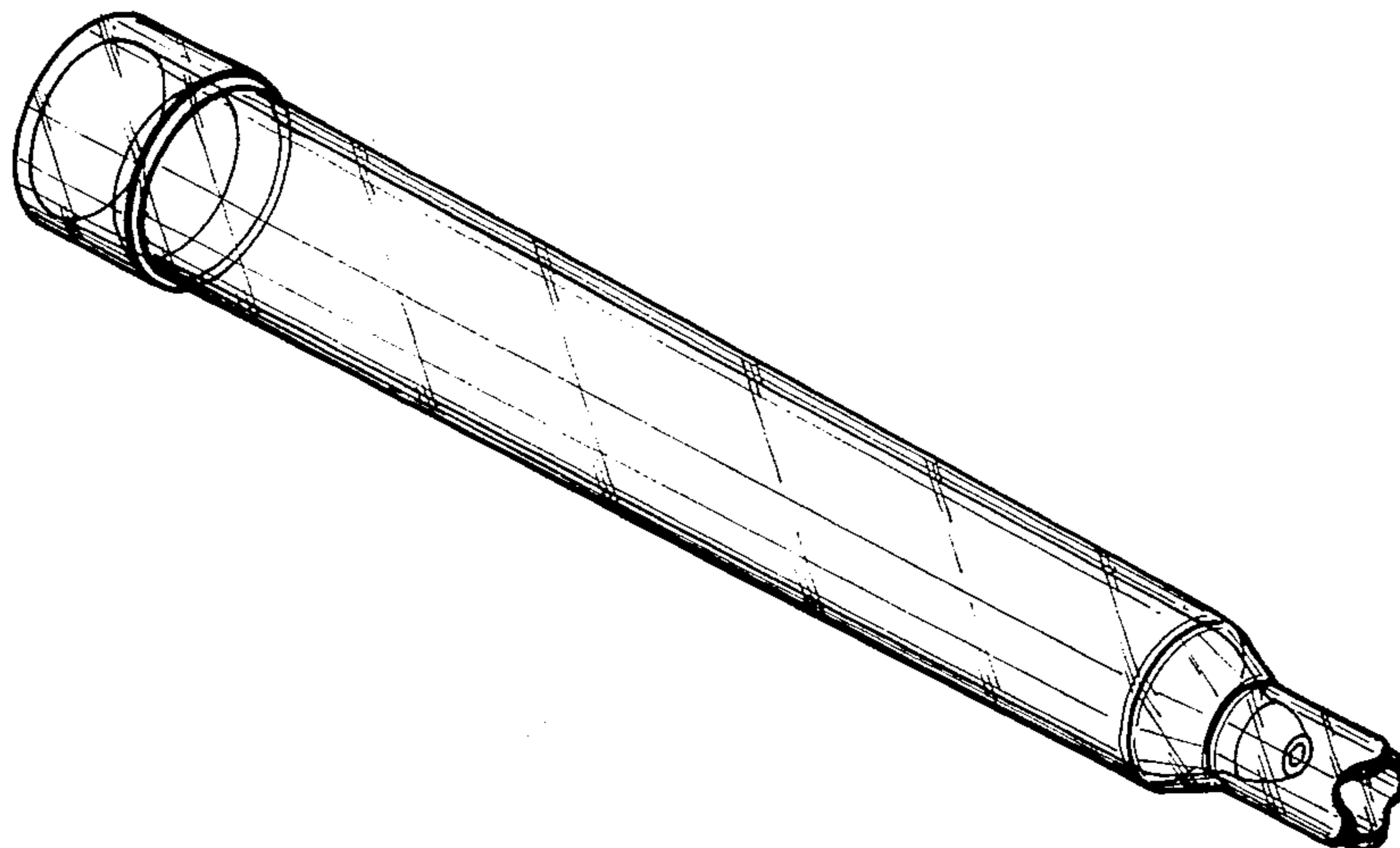
Primary Examiner—A. Hugo Word
Assistant Examiner—R. C. Anderson
Attorney, Agent, or Firm—Mark A. Hofer

[57] CLAIM

The ornamental design for a centrifuge tube for separating and washing red blood cells, as shown and described.

DESCRIPTION

FIG. 1 is a perspective view of a centrifuge tube for separating and washing red blood cells showing our new design;
FIG. 2 is a side elevational view thereof;
FIG. 3 is one end elevational view thereof; and
FIG. 4 is the other end elevational view thereof.



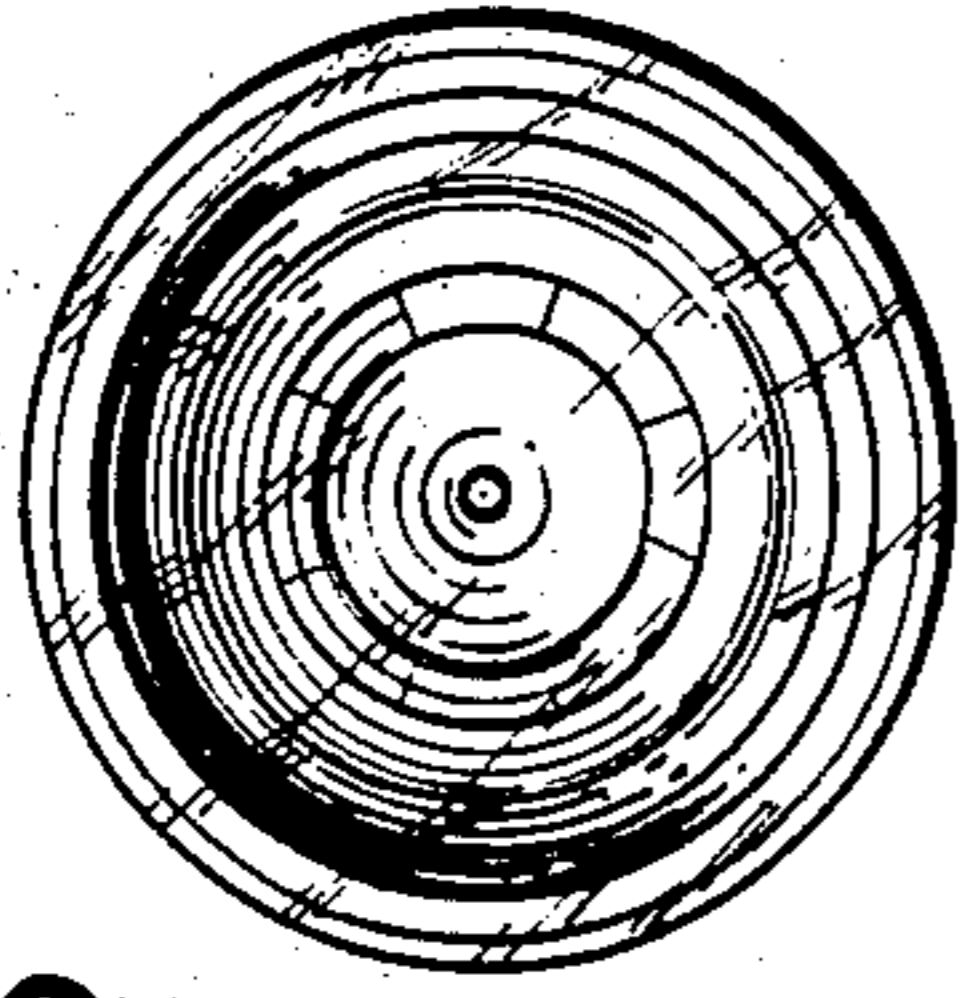


FIG-3

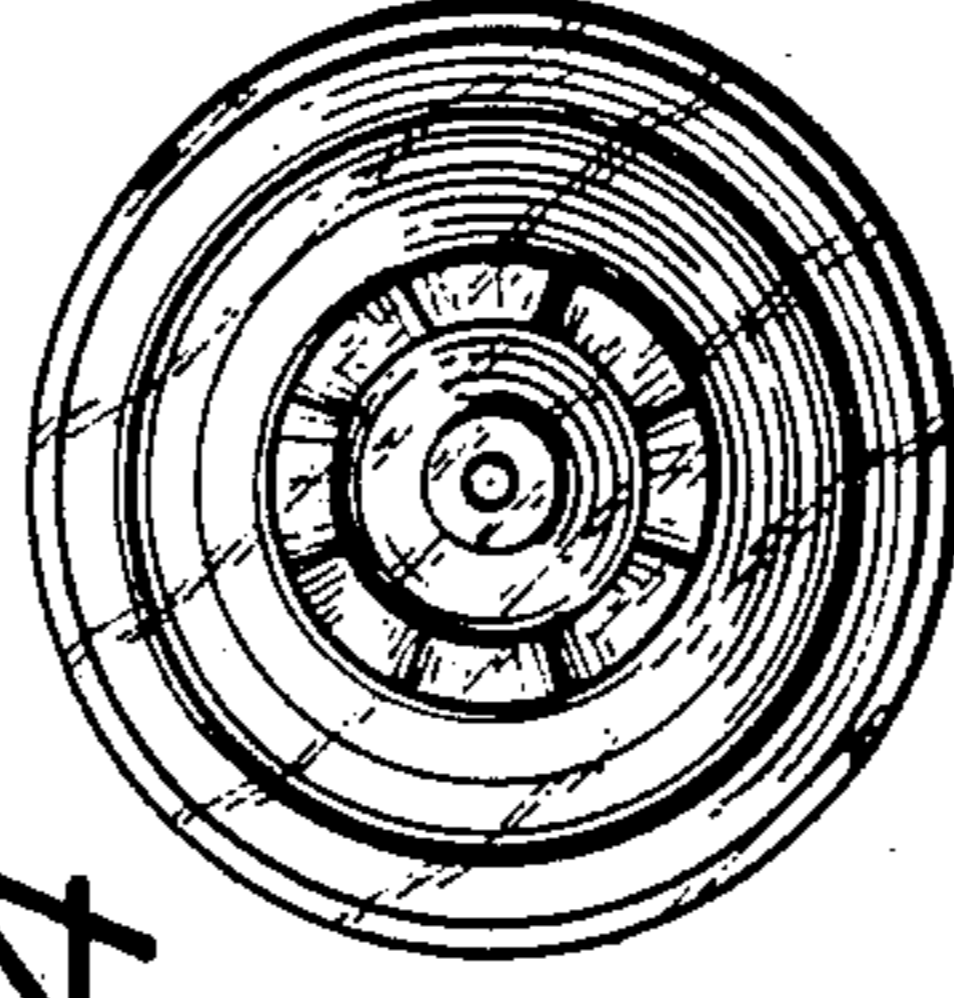


FIG-4

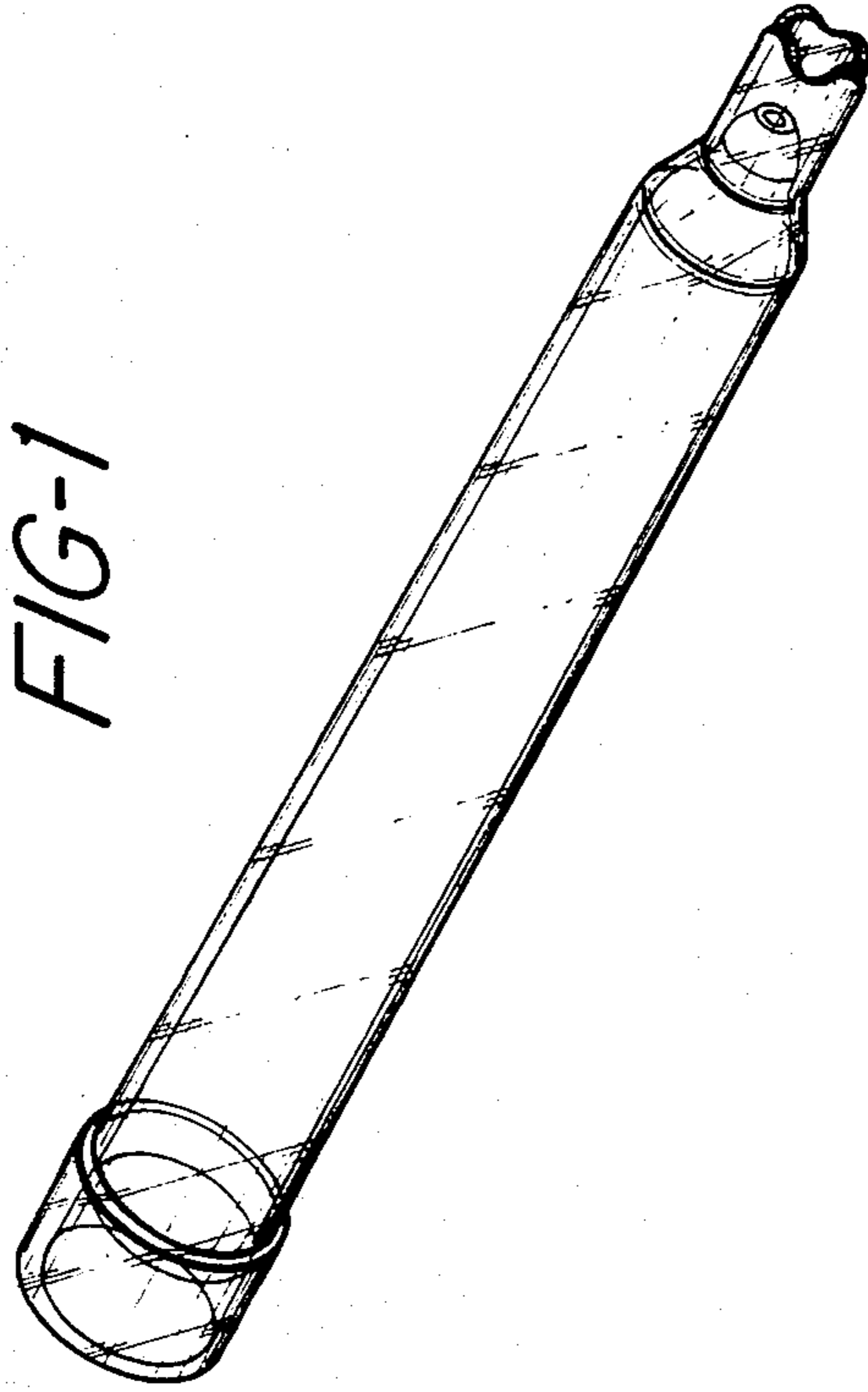


FIG-1

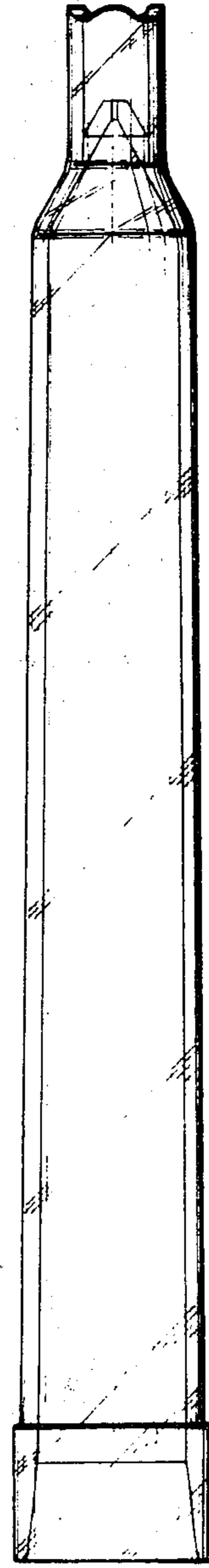


FIG-2