

[54] HEAT SAVING DEVICE

4,313,562 2/1982 White ..... 237/55

[76] Inventor: Donald A. Lindsey, Rte. 7, Box 7095-C, Nampa, Id. 83651

Primary Examiner—Catherine E. Kemper  
Attorney, Agent, or Firm—W. Boswell Childs

[\*\*] Term: 14 Years

[57] CLAIM

[21] Appl. No.: 505,851

The ornamental design for a heat saving device, as shown.

[22] Filed: Jun. 20, 1983

[52] U.S. Cl. .... D23/136

[58] Field of Search ..... D23/127, 136, 95;  
237/55; 165/DIG. 2; 34/86

DESCRIPTION

[56] References Cited

U.S. PATENT DOCUMENTS

- 386,978 7/1888 Gran ..... 165/DIG. 2
- 1,785,649 12/1930 Rich ..... 165/95
- 2,147,658 2/1939 Lepick ..... 165/95
- 3,913,663 10/1975 Gates ..... 237/55 X

FIG. 1 is a perspective view showing the left side, front and a portion of the top of the heat saving device showing my new design;

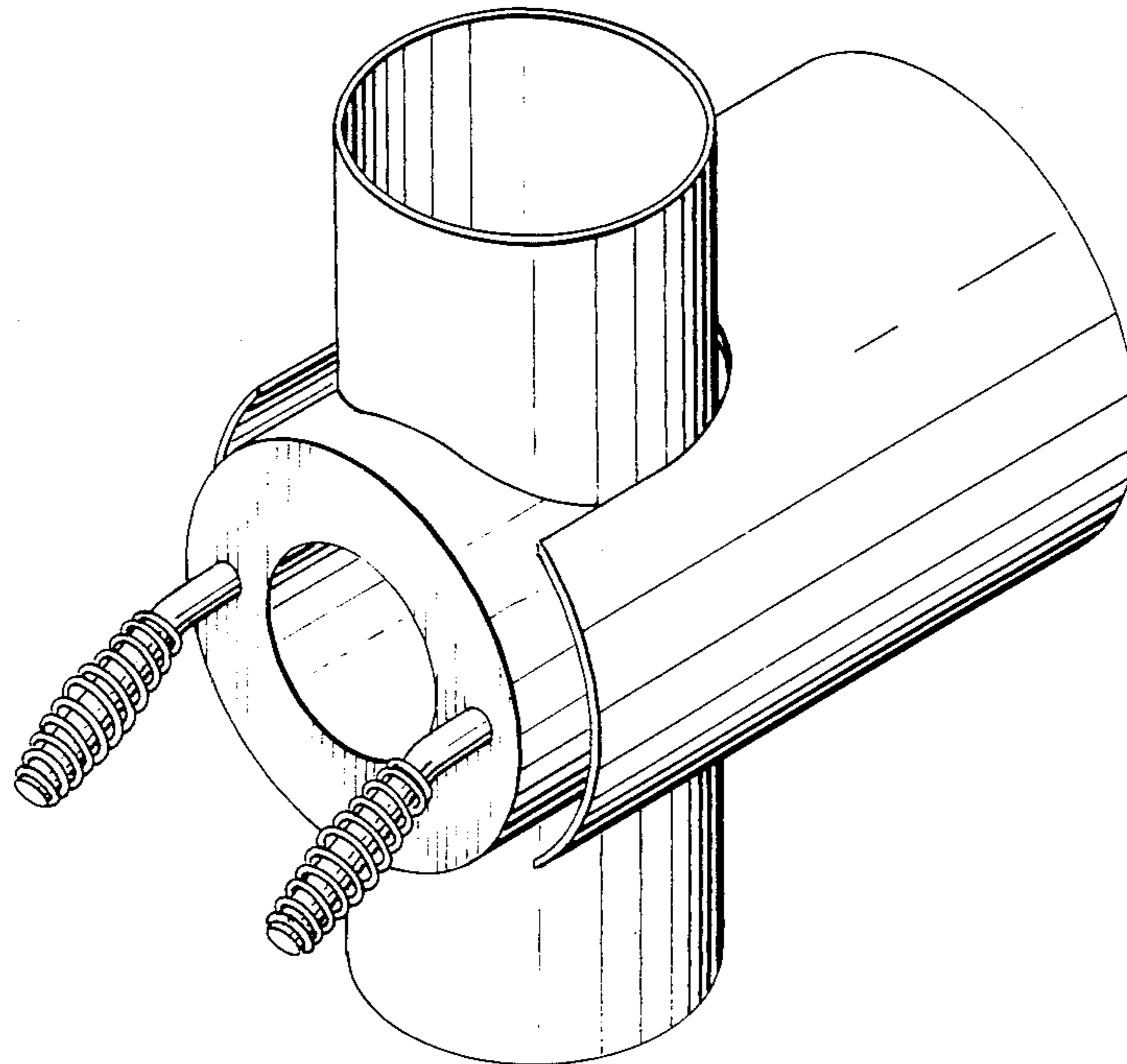
FIG. 2 is a front elevational view of the heat saving device;

FIG. 3 is a rear elevational view;

FIG. 4 is a right side elevational view;

FIG. 5 is a top plan view; and

FIG. 6 is a bottom plan view.



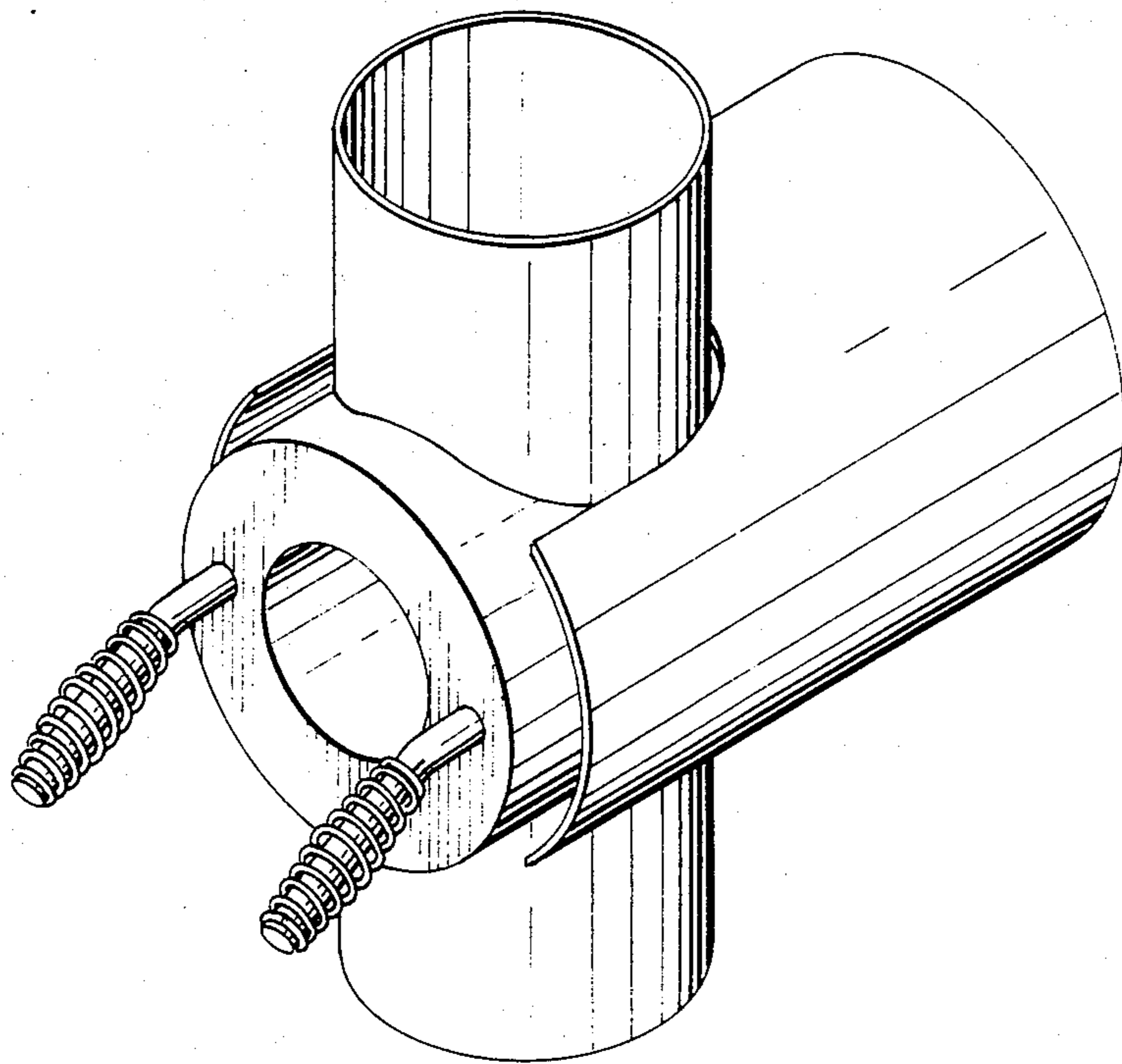


FIG. 1

FIG. 2

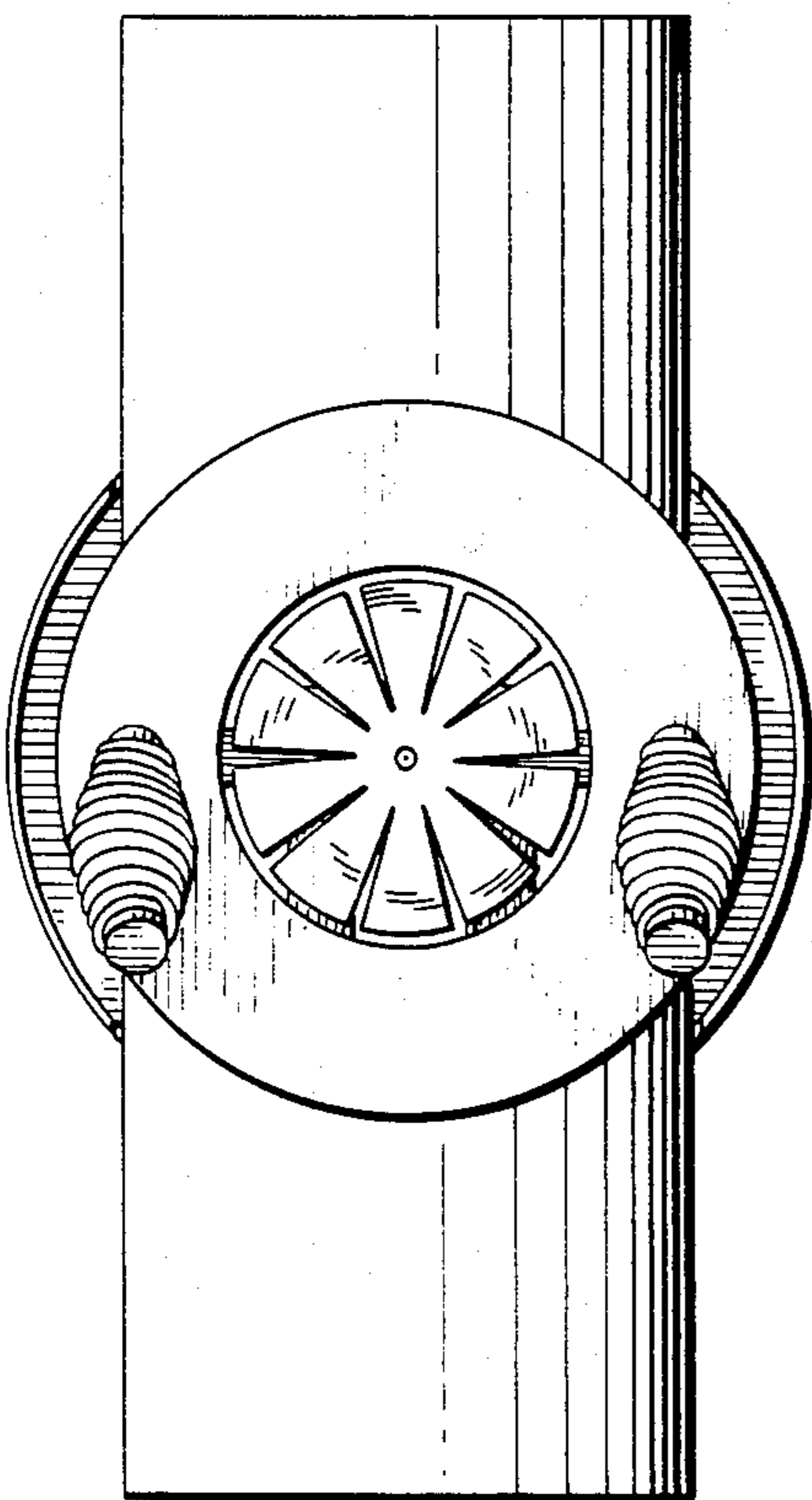


FIG. 3

