

[54] VALVE ADAPTOR FOR LPG FUEL TANK

[75] Inventor: Michael A. Hornak, Walnut, Calif.

[73] Assignee: Calnetics Corporation, Walnut, Calif.

[**] Term: 14 Years

[21] Appl. No.: 371,544

[22] Filed: Apr. 26, 1982

[52] U.S. Cl. D23/40

[58] Field of Search D23/19-22,
D23/40, 41, 42; 29/157.1; 251/145, 366, 367;
222/400.7, 568

[56] References Cited

U.S. PATENT DOCUMENTS

D. 206,421	12/1966	Kilbourn	D23/40
D. 207,476	4/1967	Kilbourn	D23/40
2,432,641	12/1947	Wilson	222/568

3,016,062 1/1962 Zinniger D23/19
4,089,444 5/1978 Shea 222/400.7

Primary Examiner—A. Hugo Word
Assistant Examiner—Lynn Wilder
Attorney, Agent, or Firm—Knobbe, Martens, Olson & Bear

[57] CLAIM

The ornamental design for a valve adaptor for LPG fuel tank, as shown and described.

DESCRIPTION

FIG. 1 is a front elevational view of the valve adaptor for LPG fuel tank showing my new design;
FIG. 2 is a side elevational view thereof, the other side being a mirror image;
FIG. 3 is a rear elevational view thereof;
FIG. 4 is a top plan view thereof; and
FIG. 5 is a bottom plan view thereof.

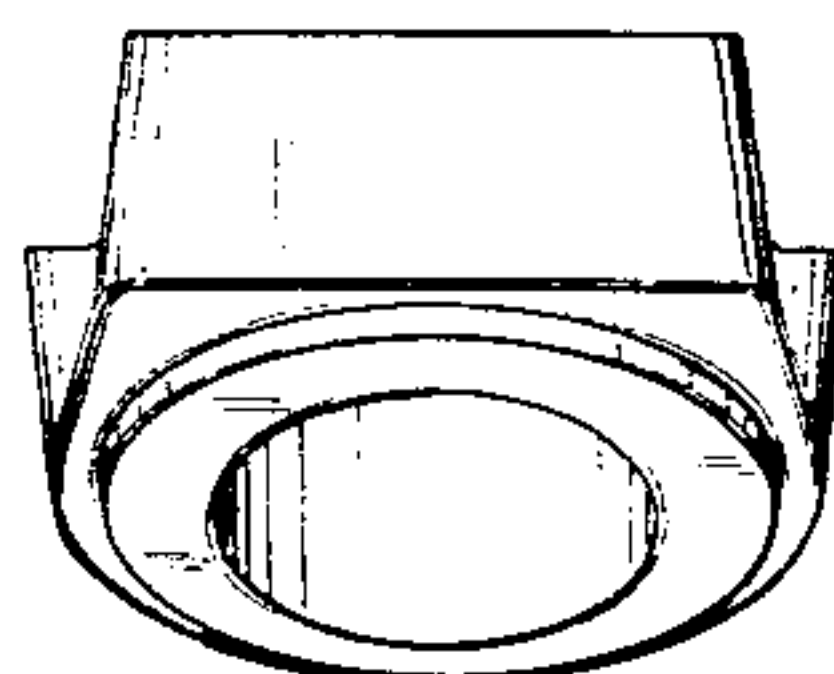
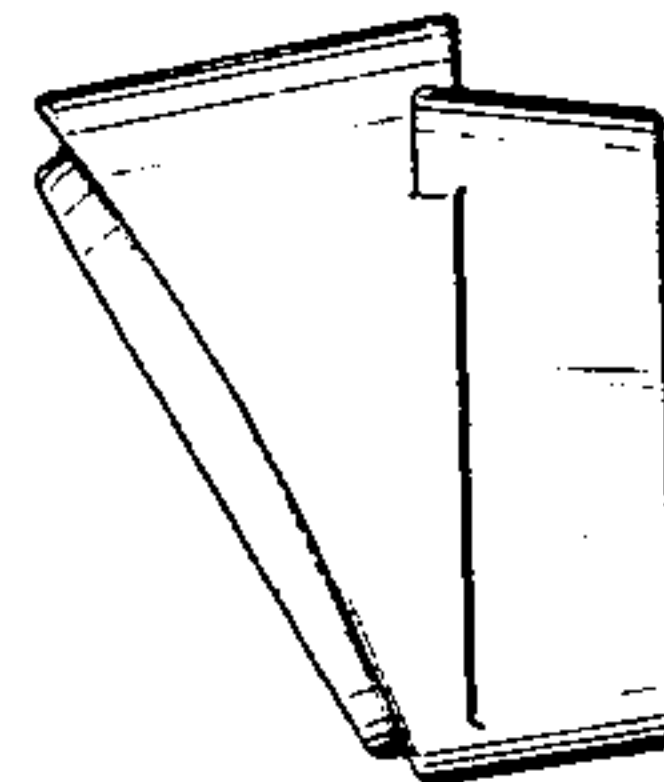
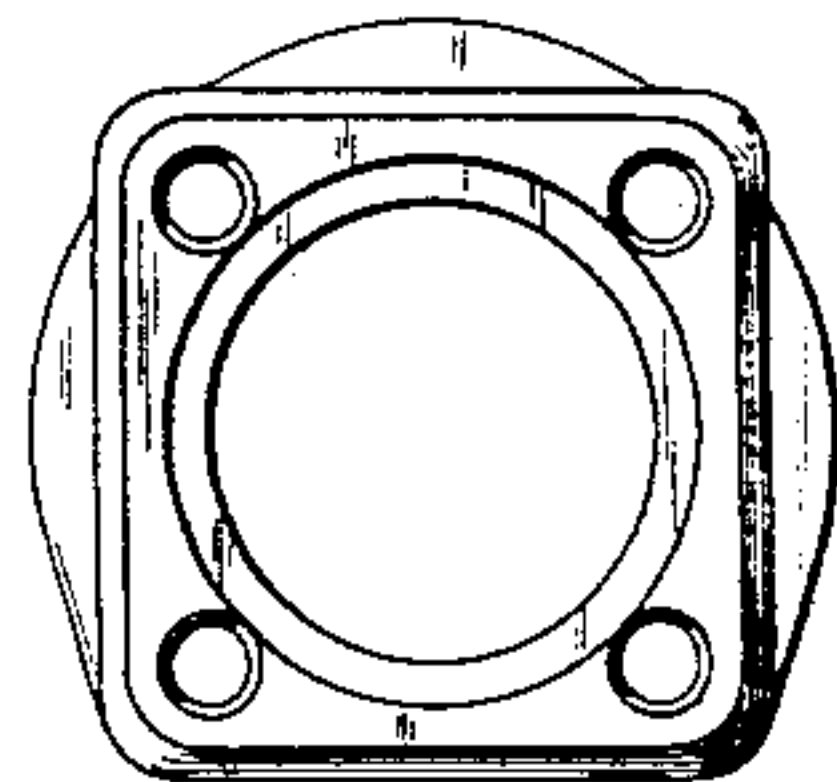


Fig. 4

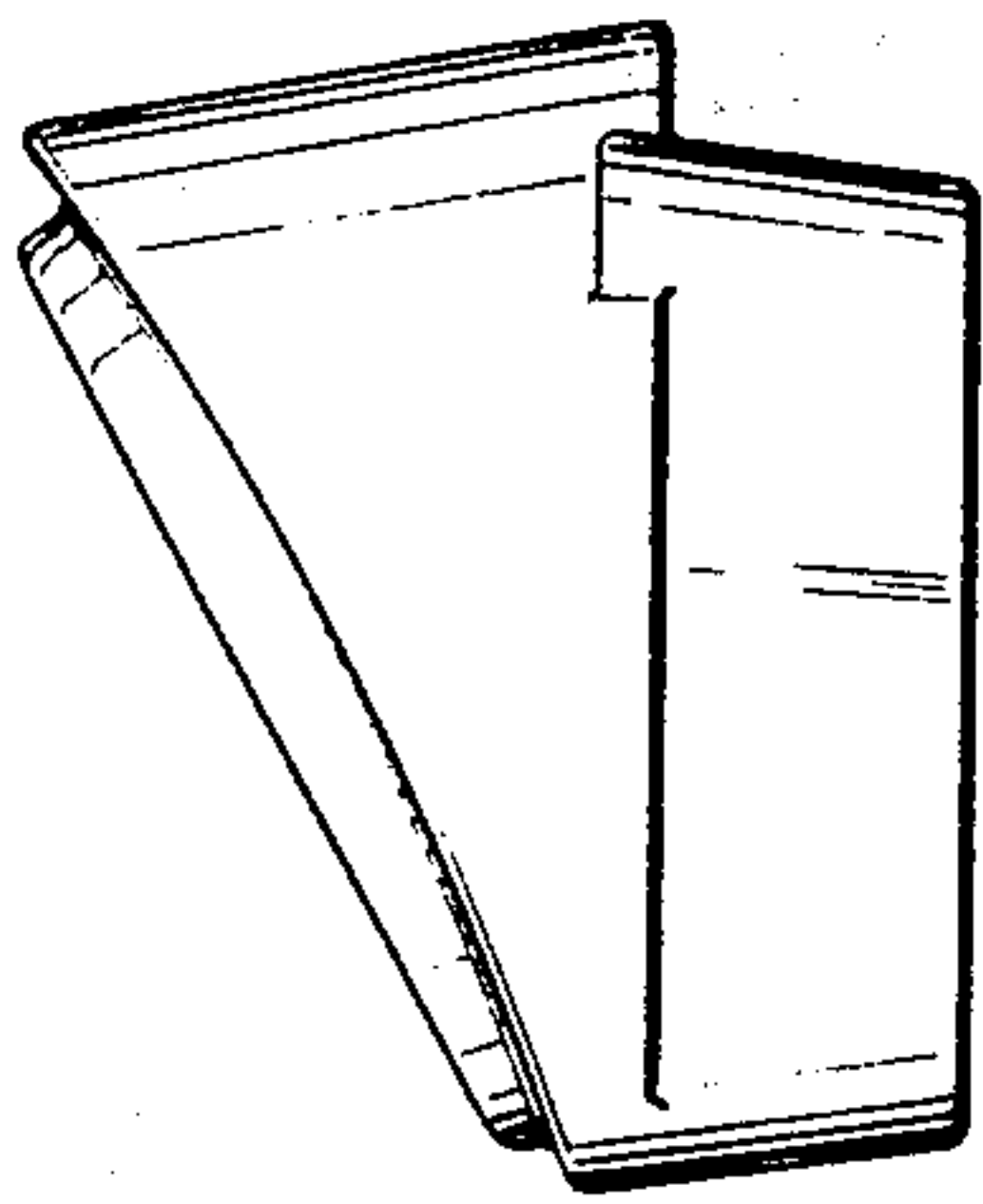
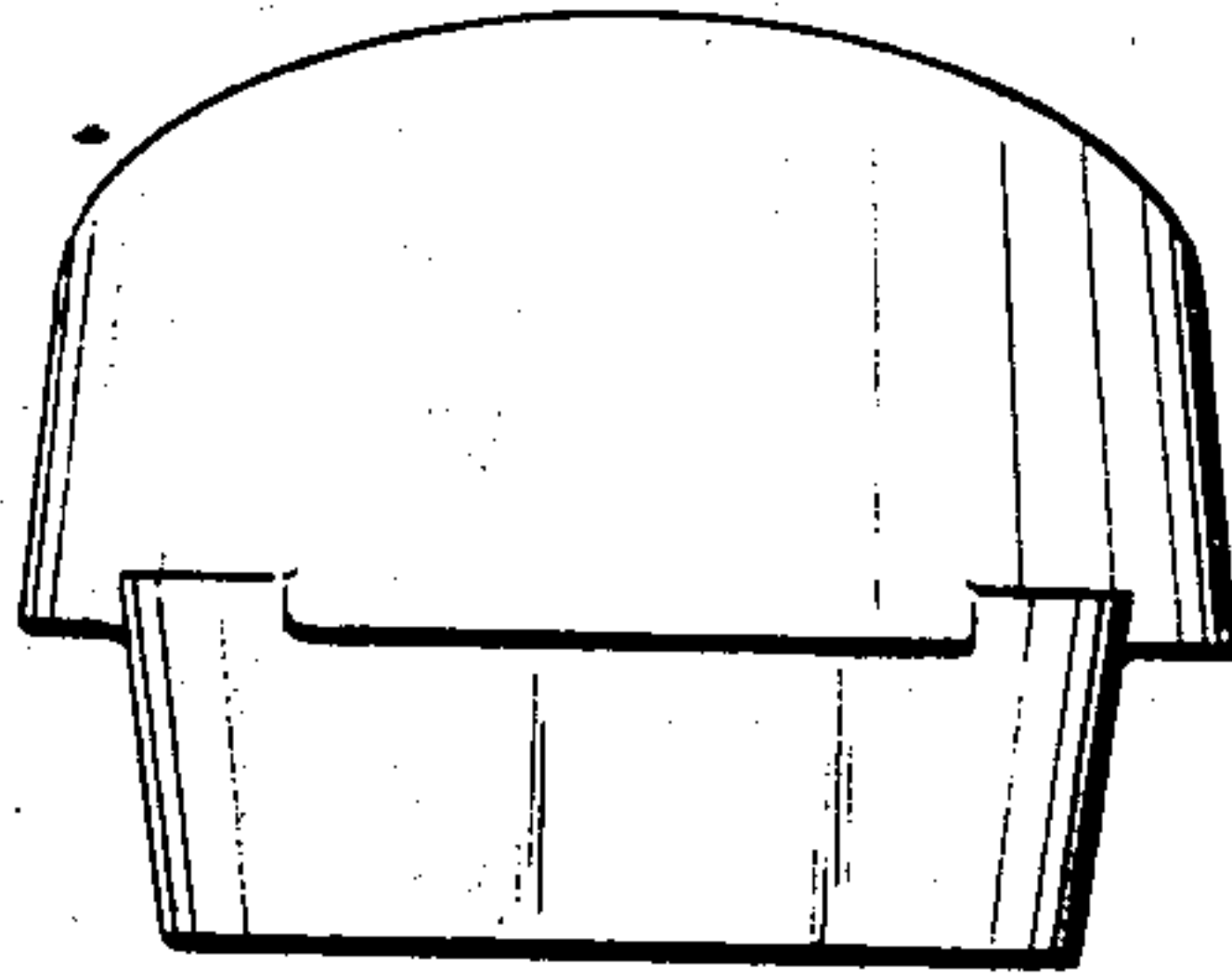


Fig. 2

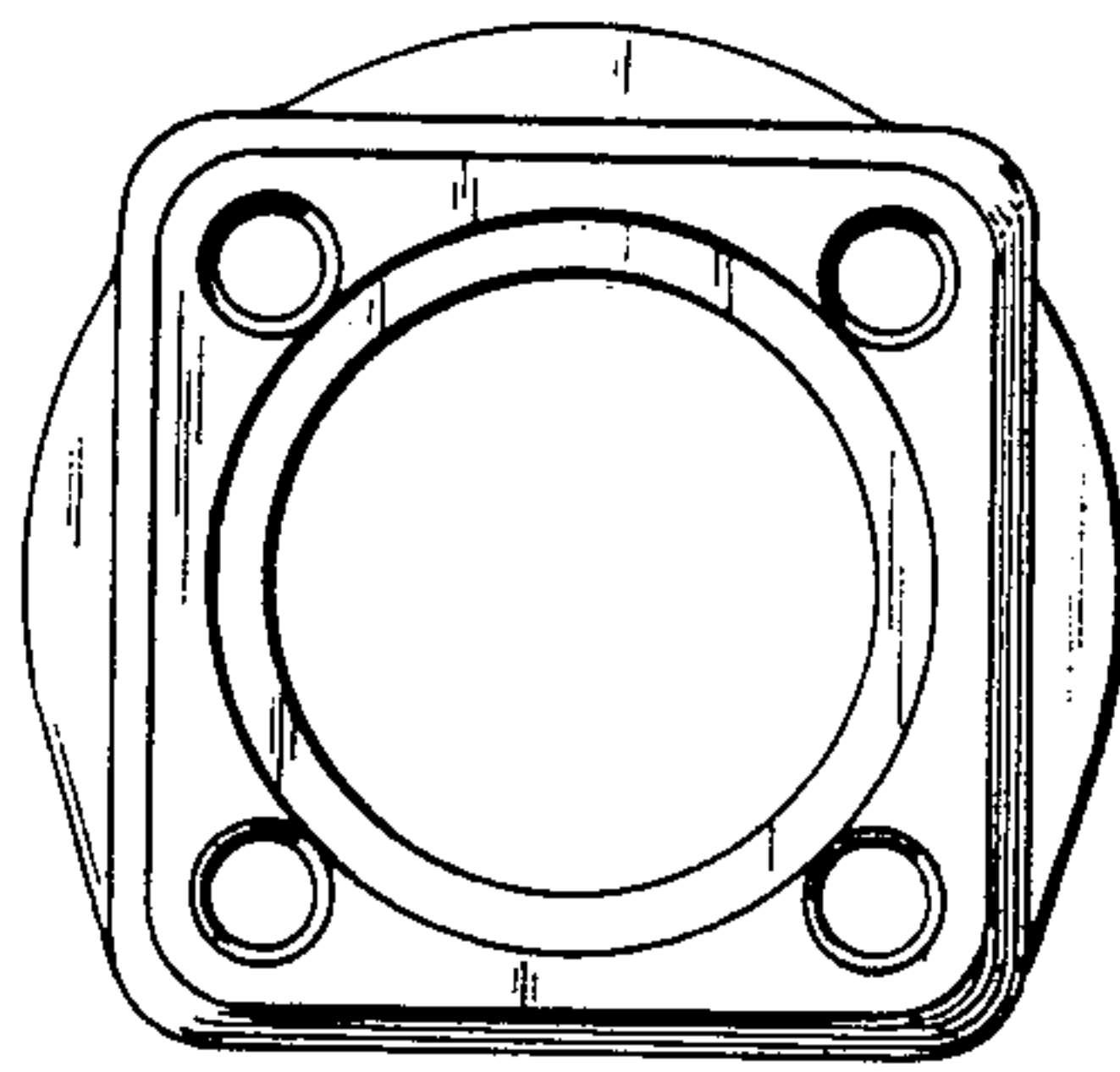


Fig. 1

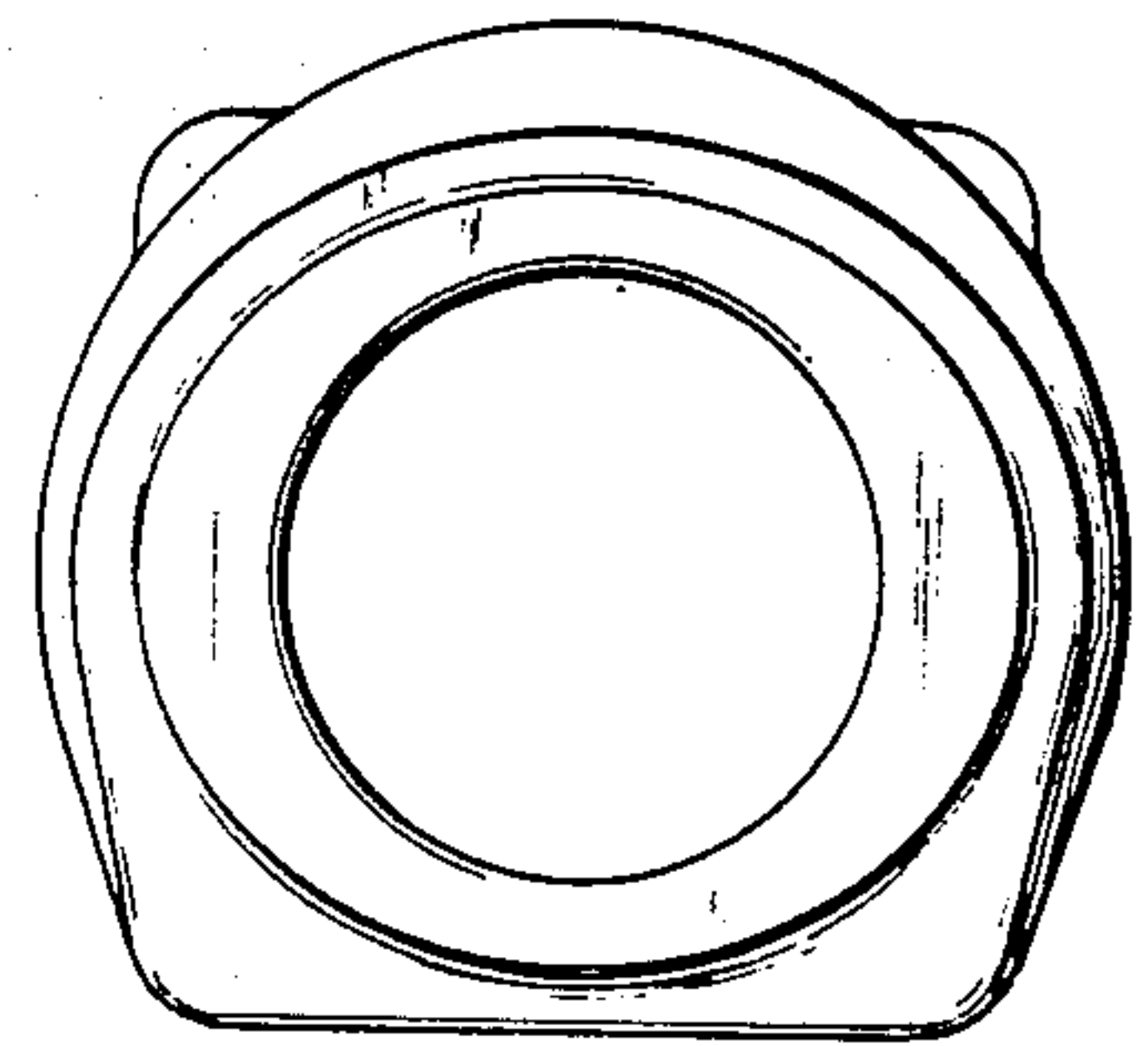


Fig. 3

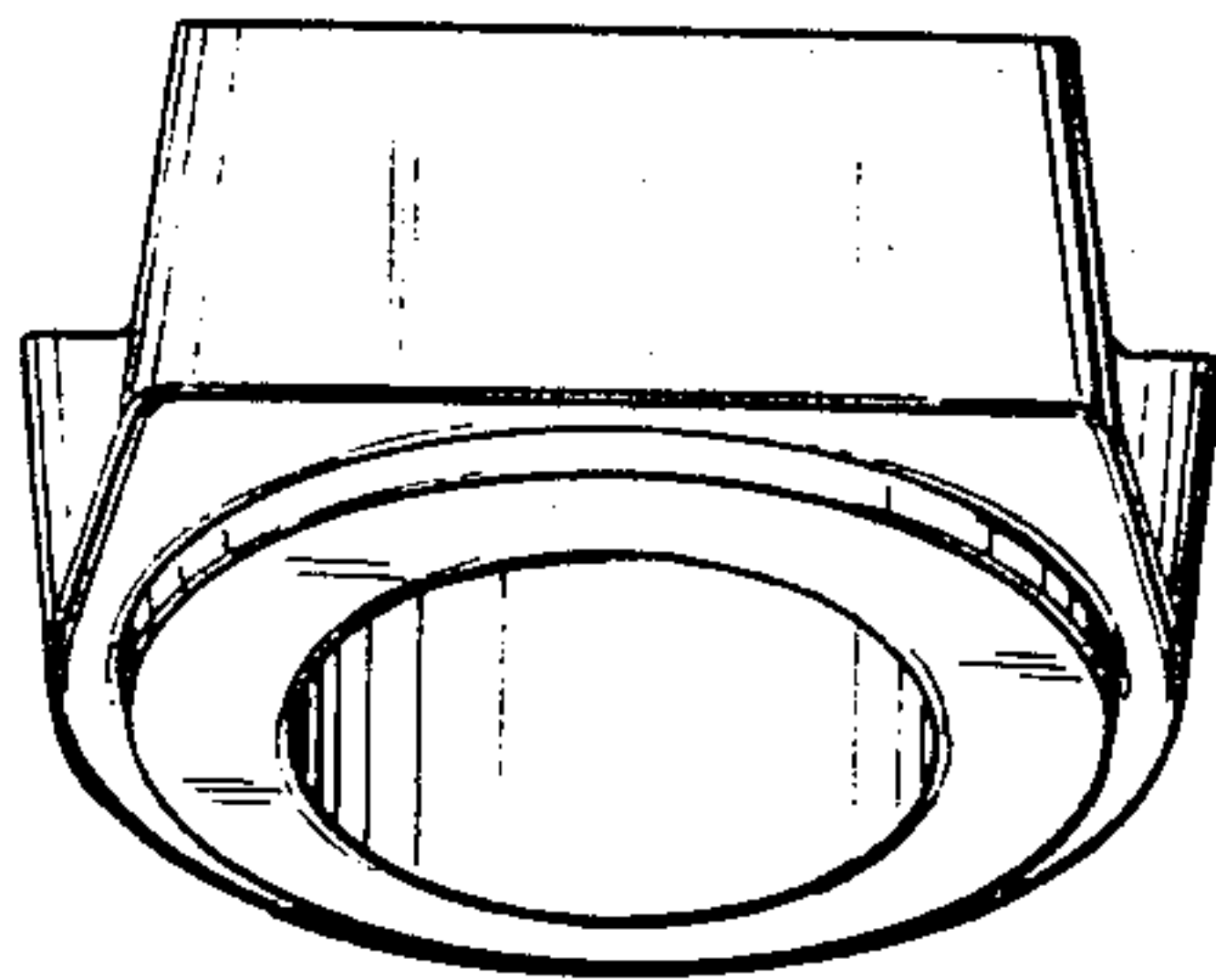


Fig. 5