

[54] WATER PURIFIER

[76] Inventors: Jack P. Slovak, 8952 Sailport, Huntington Beach, Calif. 92646; Robert A. Slovak, 411 E. Edgewater, Newport Beach, Calif. 92660; Douglas M. Horn, 3731 Bates, Irvine, Calif. 92714

[**] Term: 14 Years

[21] Appl. No.: 432,153

[22] Filed: Sep. 30, 1982

[52] U.S. Cl. D23/3

[58] Field of Search D23/384; 210/257.1, 210/257.2

[56] References Cited

U.S. PATENT DOCUMENTS

- D. 199,735 12/1964 Woodruff D23/3
- D. 213,294 2/1969 Stenberg D23/3
- D. 240,731 7/1976 Free et al. D23/3

- D. 241,178 8/1976 Haythornthwaite D23/3
- D. 268,866 5/1983 Desai et al. D23/3
- D. 273,694 5/1984 Johnson et al. D23/3
- D. 273,696 5/1984 Johnson et al. D23/3
- 3,539,009 11/1970 Kudlaty 210/257.1 X
- 3,831,757 8/1974 Gossett et al. 210/257.2 X
- 4,152,262 5/1979 Rose 210/257.1 X

Primary Examiner—James R. Largen
Attorney, Agent, or Firm—Leonard Tachner

[57] CLAIM

The ornamental design for a water purifier, as shown and described.

DESCRIPTION

FIG. 1 is an isometric view taken from the top, front and left side of a water purifier showing our new design; FIG. 2 is a front elevational view thereof; FIG. 3 is a rear elevational view thereof; FIG. 4 is a right side elevational view thereof; FIG. 5 is a left side elevational view thereof; FIG. 6 is a top plan view thereof; and FIG. 7 is a bottom plan view thereof.

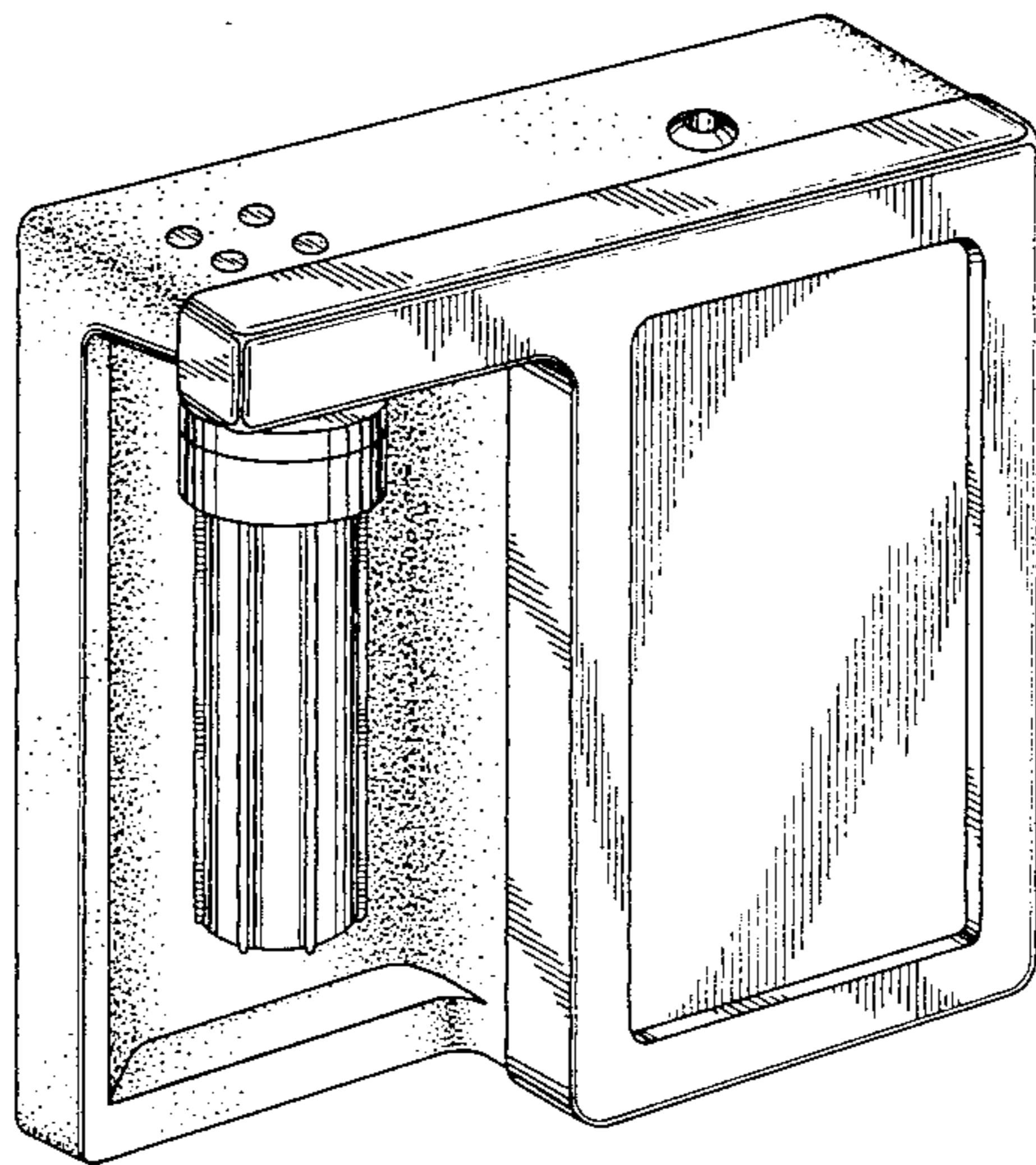


FIG. 1

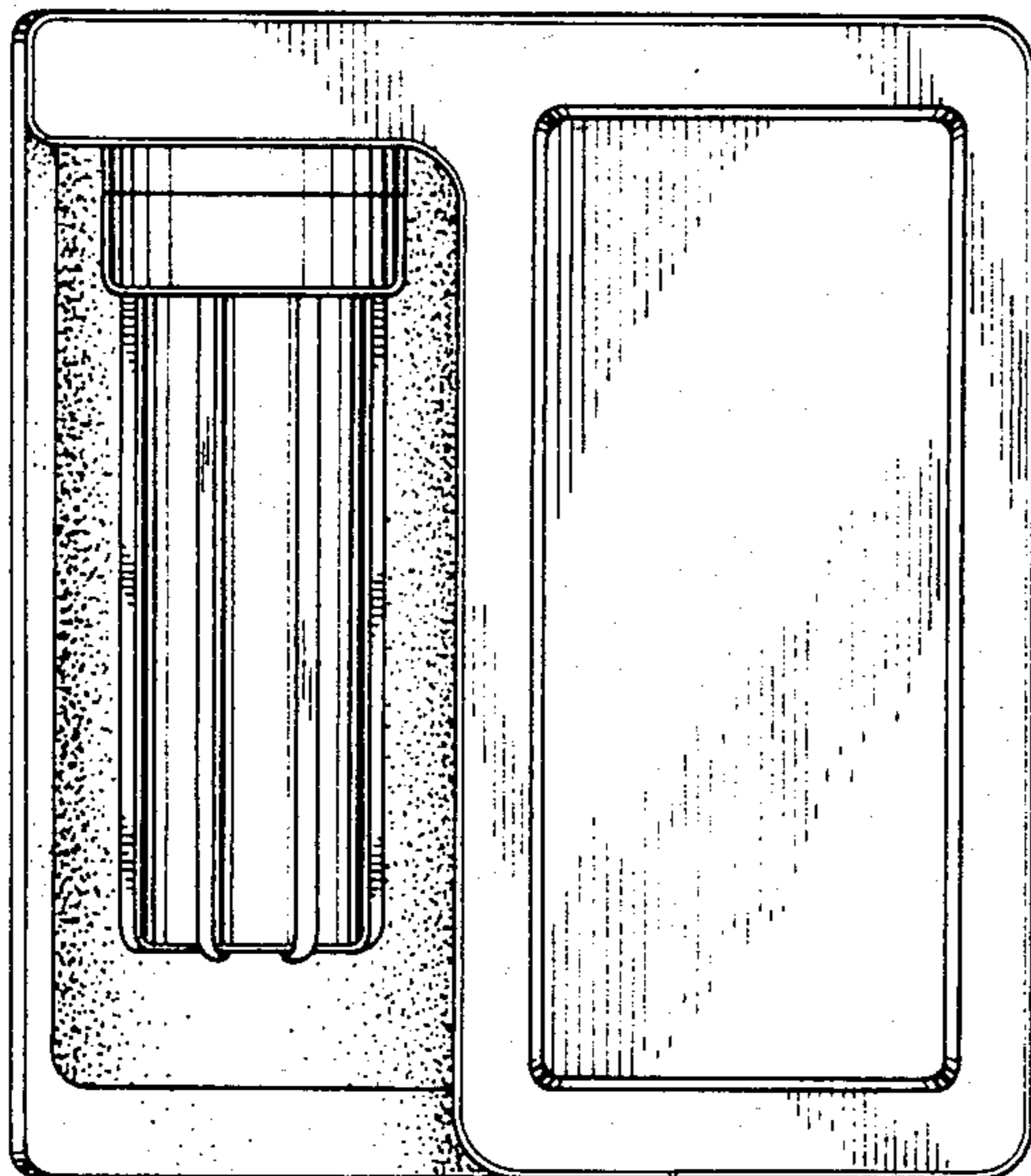
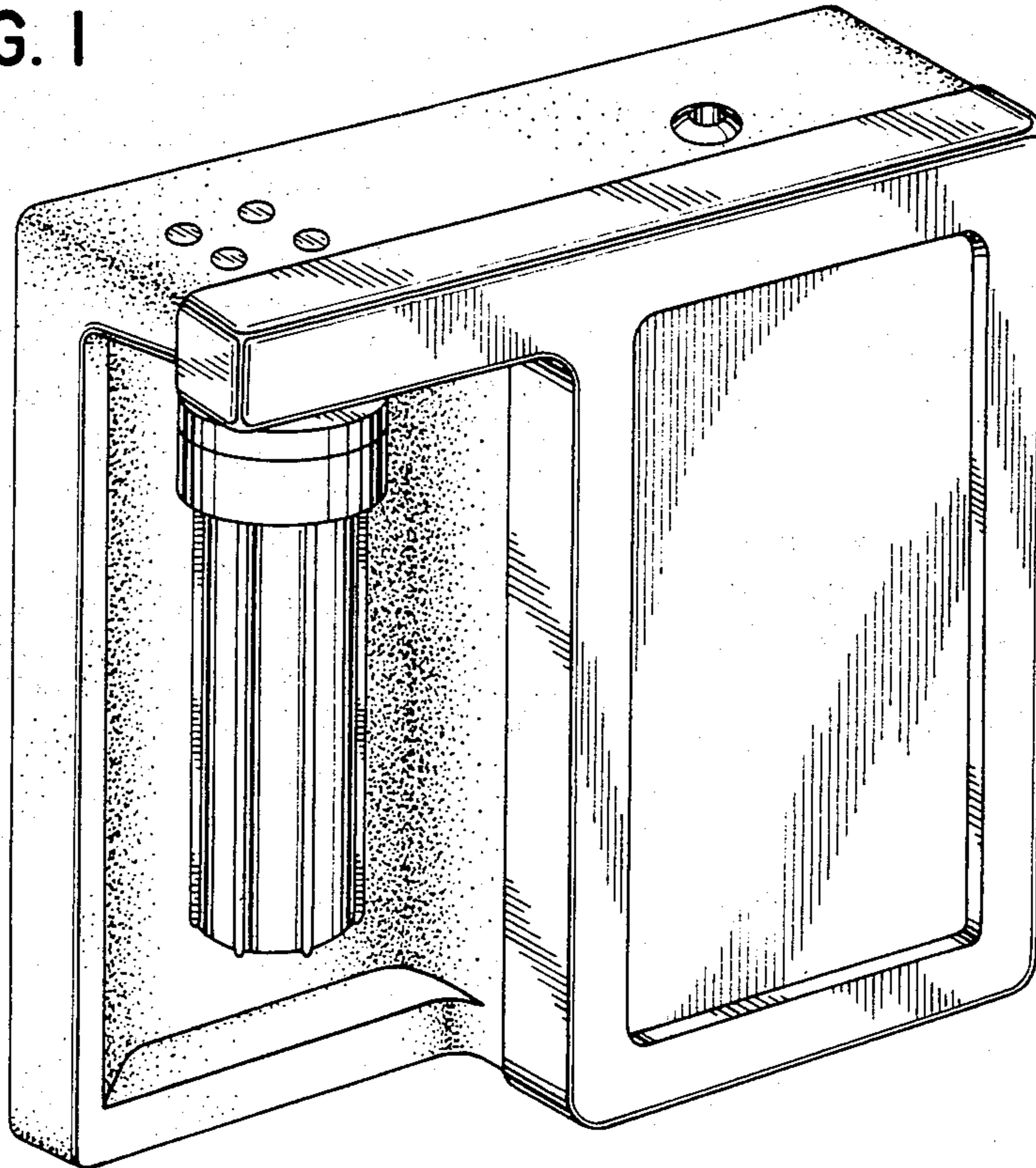


FIG. 2

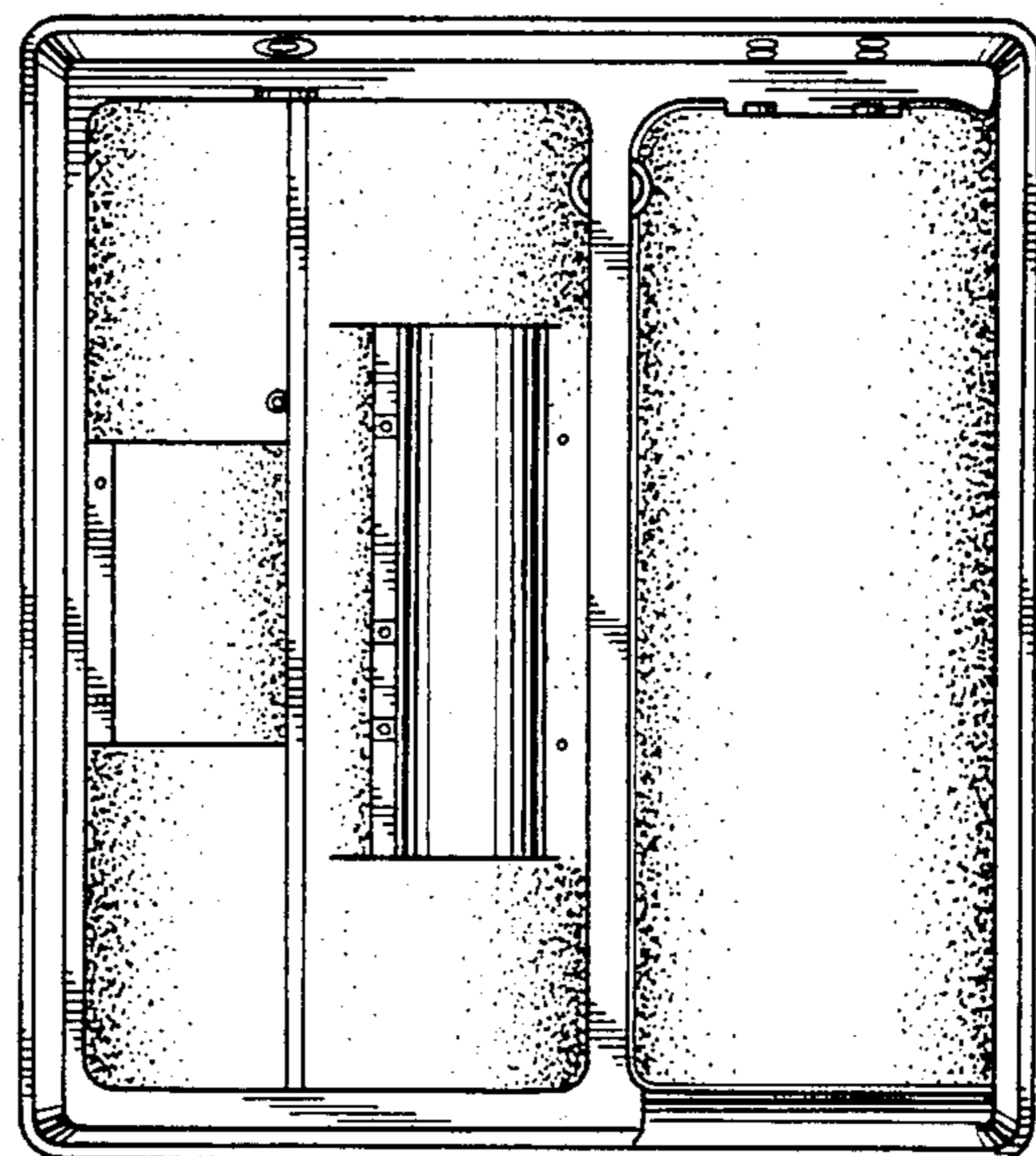


FIG. 3

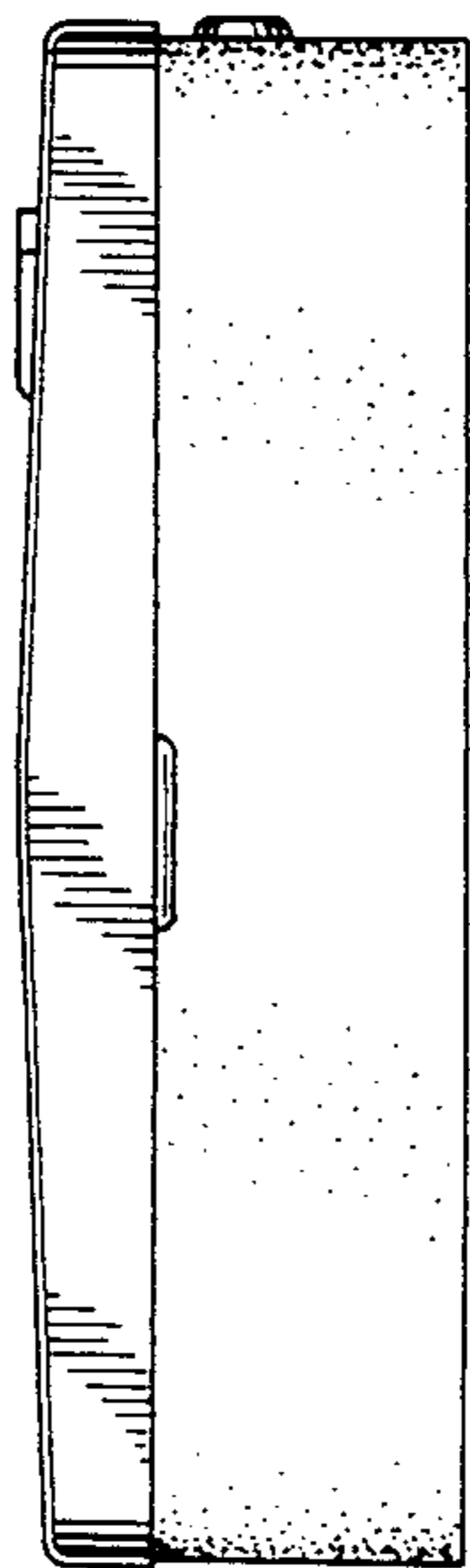


FIG. 4



FIG. 5

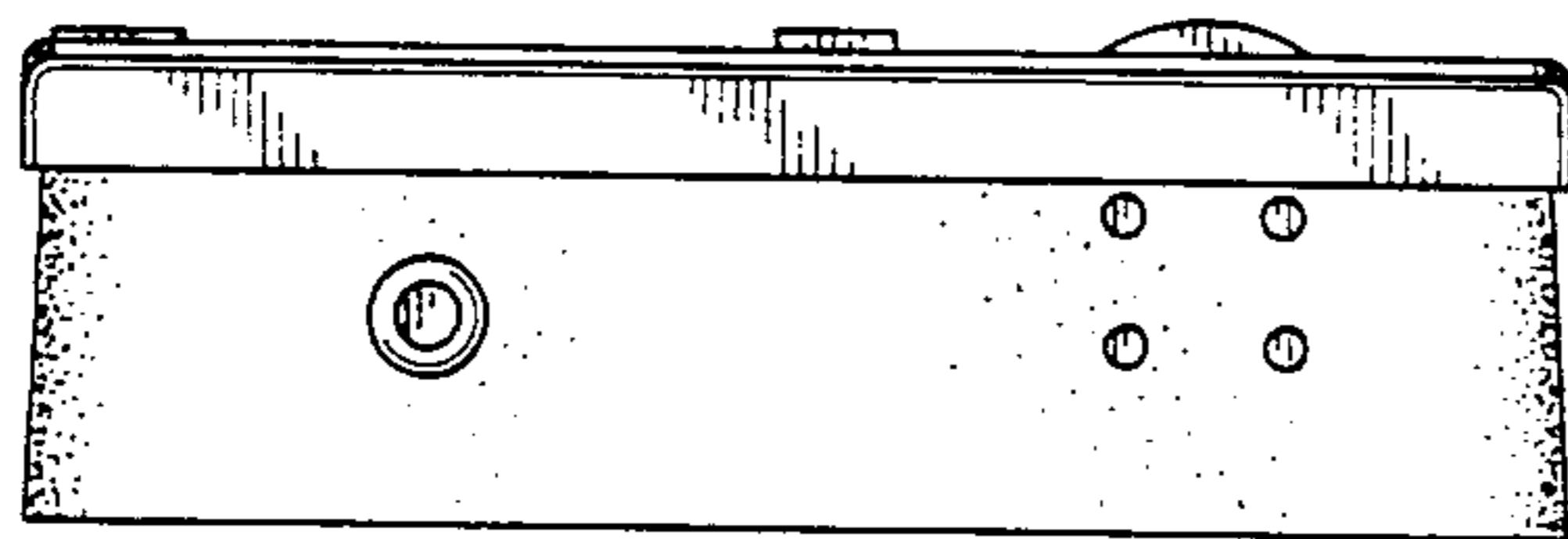


FIG. 6

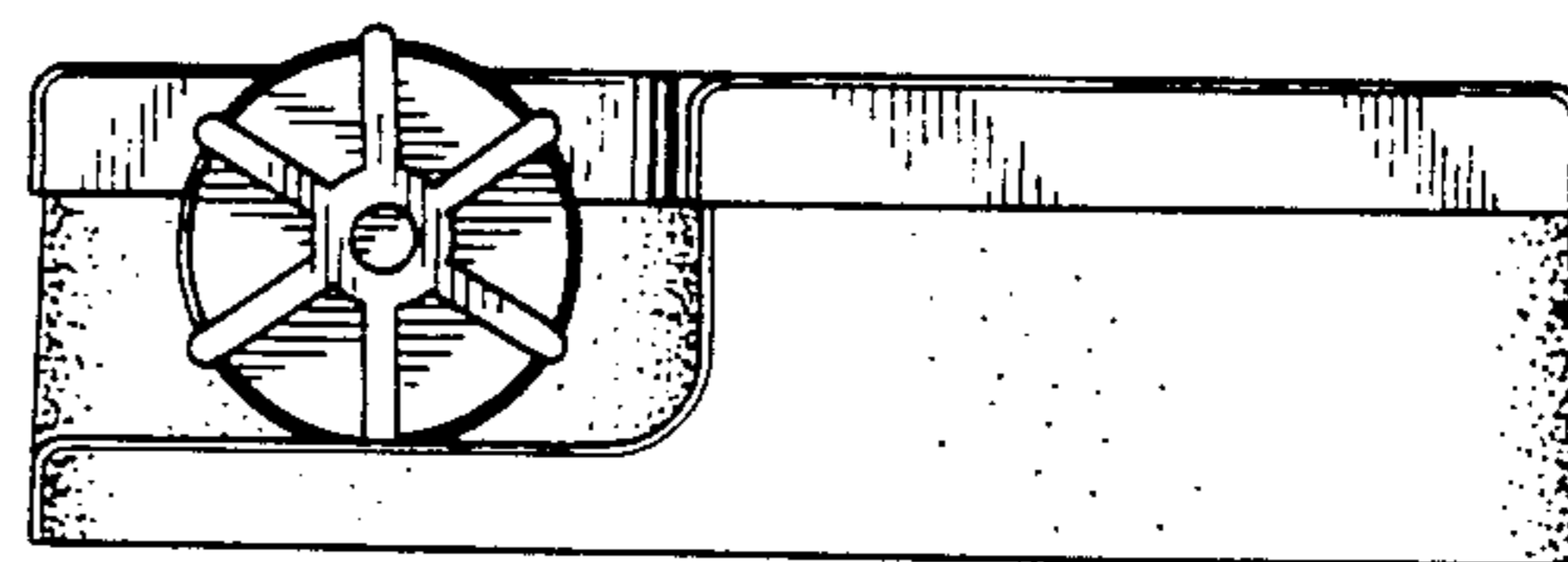


FIG. 7