

[54] RECONFIGURABLE TOY

[75] Inventor: Iwakichi Ogawa, Kashiwa, Japan

[73] Assignee: Takara Co., Ltd., Tokyo, Japan

[\*\*] Term: 14 Years

[21] Appl. No.: 518,376

[22] Filed: Jul. 29, 1983

[52] U.S. Cl. .... D21/128; D21/87; D21/150; D21/166

[58] Field of Search ..... D21/82, 83, 87, 88, D21/89, 90, 128, 150, 166; D12/319, 320, 321; 446/71, 72, 73, 76, 77, 487

[56] References Cited

U.S. PATENT DOCUMENTS

D. 261,286	10/1981	Breneman	.....	D21/87
D. 261,287	10/1981	Hilko	.....	D21/87
4,456,384	6/1984	Murakami	.....	446/487

FOREIGN PATENT DOCUMENTS

5284520	1/1980	Japan	.....	446/487
2122908	1/1984	United Kingdom	.....	446/487
2128489	2/1984	United Kingdom	.....	446/487

Primary Examiner—Charles A. Rademaker  
Attorney, Agent, or Firm—Jackson, Jones & Price

[57] CLAIM

The ornamental design for a reconfigurable toy, substantially as shown and described.

DESCRIPTION

FIG. 1 is a front perspective view of a reconfigurable toy showing my new design in a toy vehicle configuration;

FIG. 2 is a top plan view;

FIG. 3 is a left elevational side view which is a mirror image of the right elevational side view;

FIG. 4 is a front elevational view;

FIG. 5 is a rear elevational view;

FIG. 6 is a bottom plan view;

FIG. 7 is a front elevational view of the design shown in FIGS. 1 through 6 in a toy robot configuration;

FIG. 8 is a left elevational side view which is a mirror image of the right elevational side view of the embodiment of FIG. 7;

FIG. 9 is a top plan view of the embodiment of FIG. 7;

FIG. 10 is a rear elevational view of the embodiment of FIG. 7, and

FIG. 11 is a bottom plan view of the embodiment of FIG. 7.

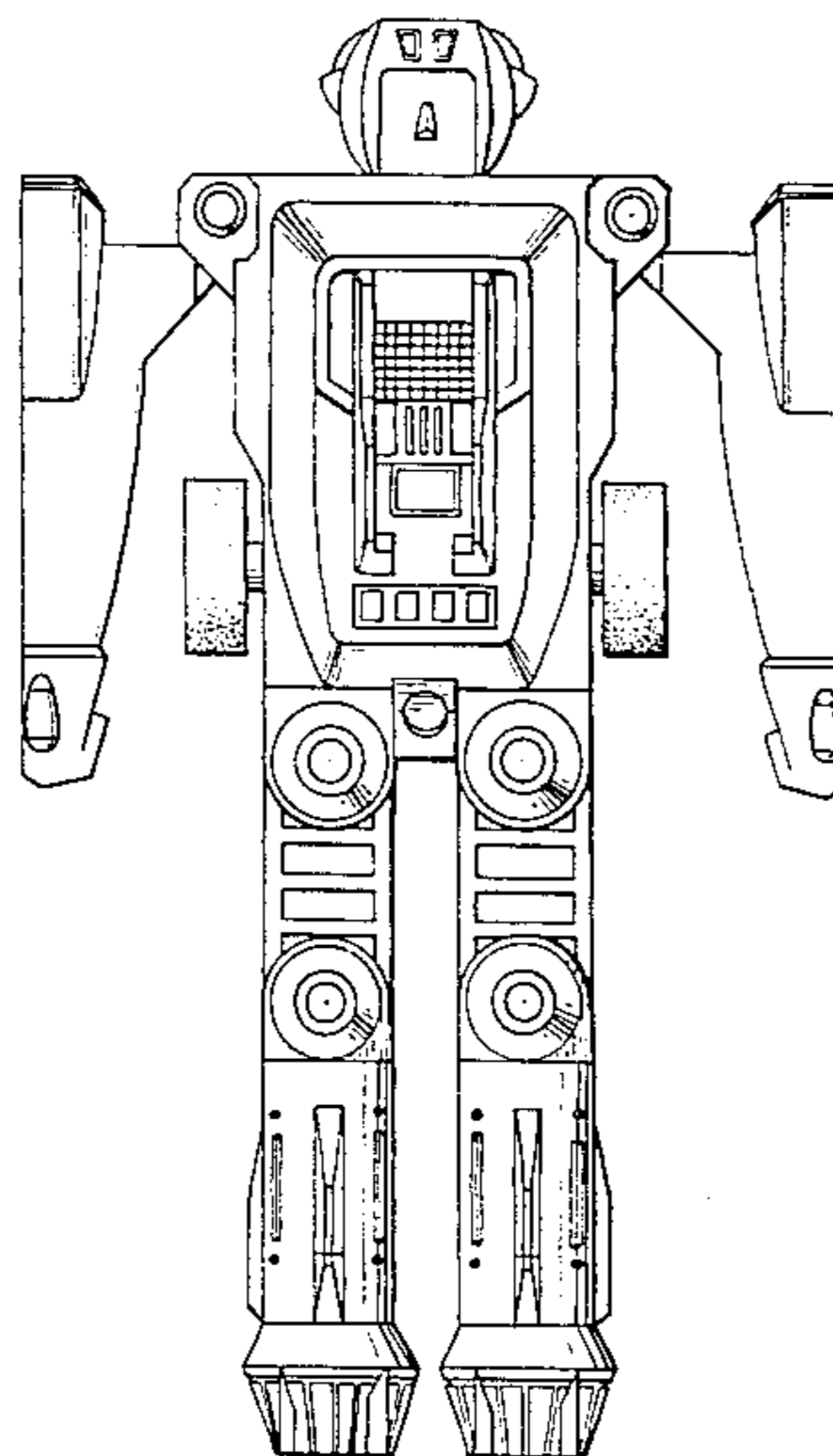
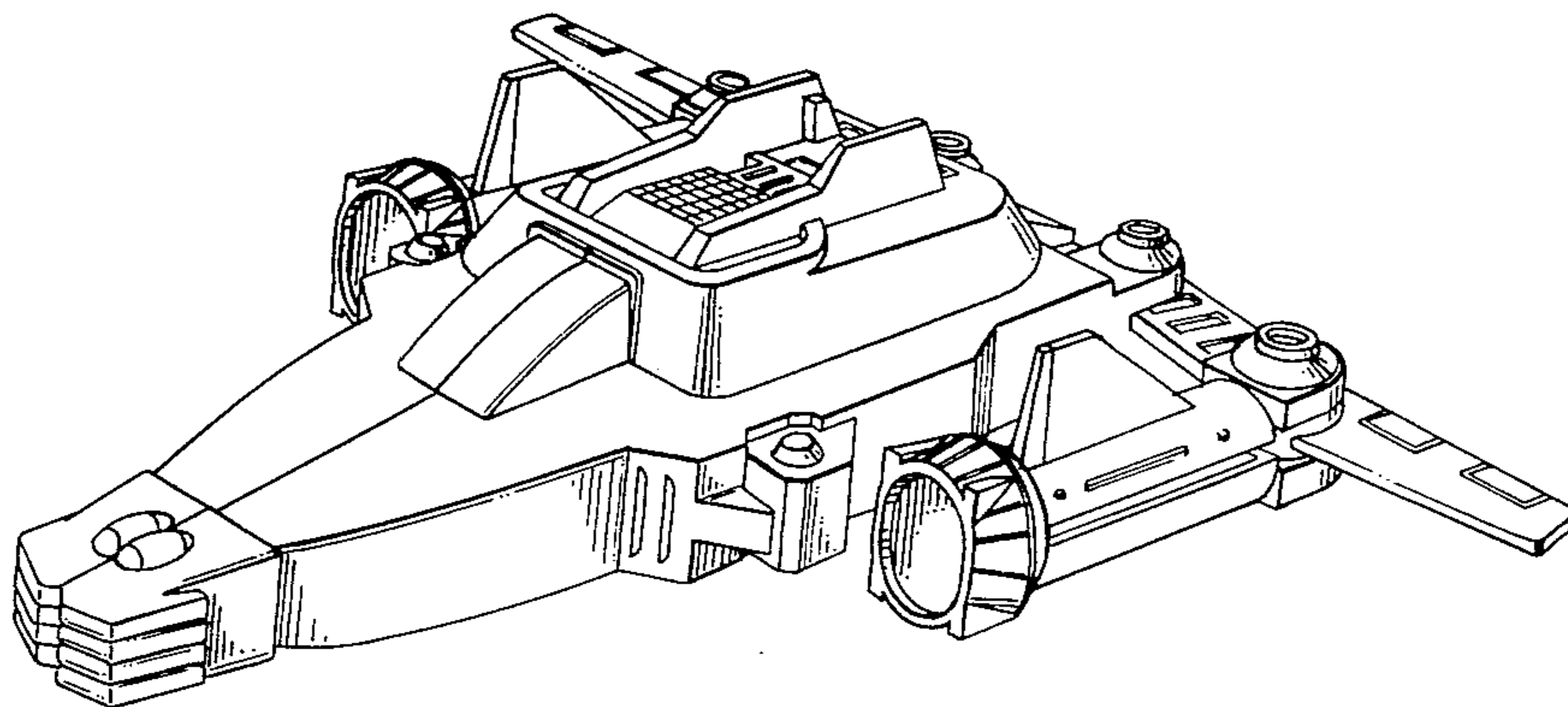


FIG. 1

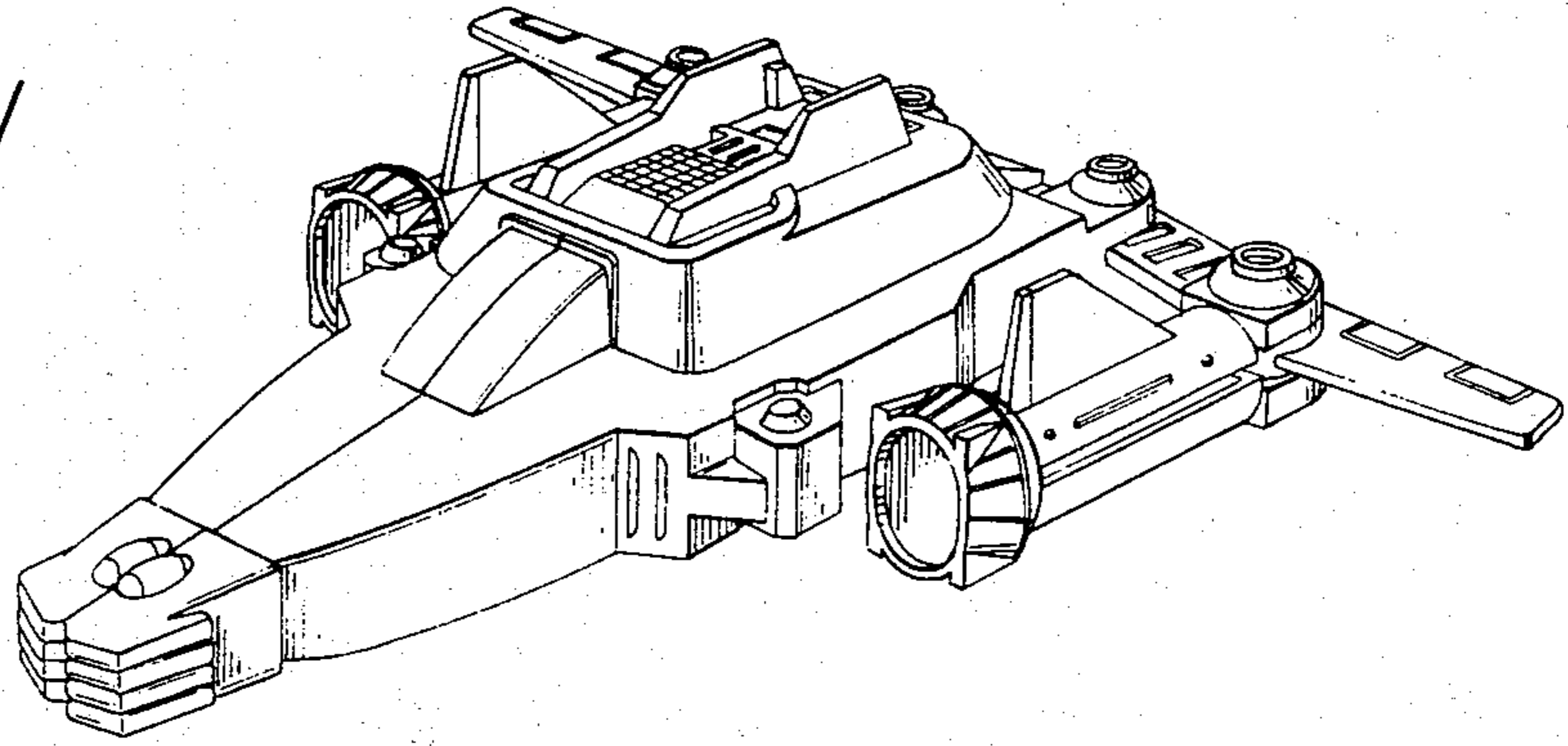


FIG. 2

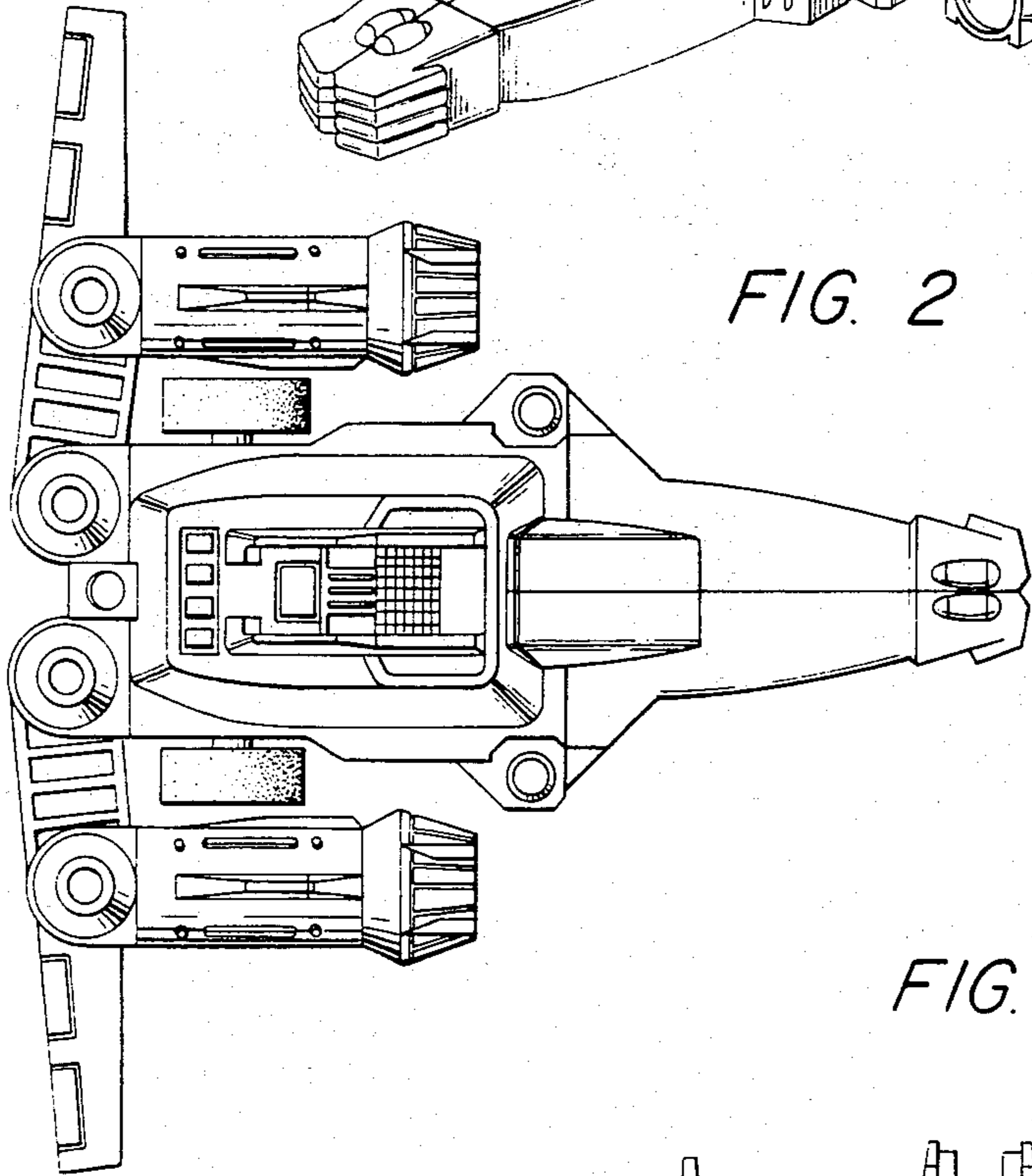


FIG. 4

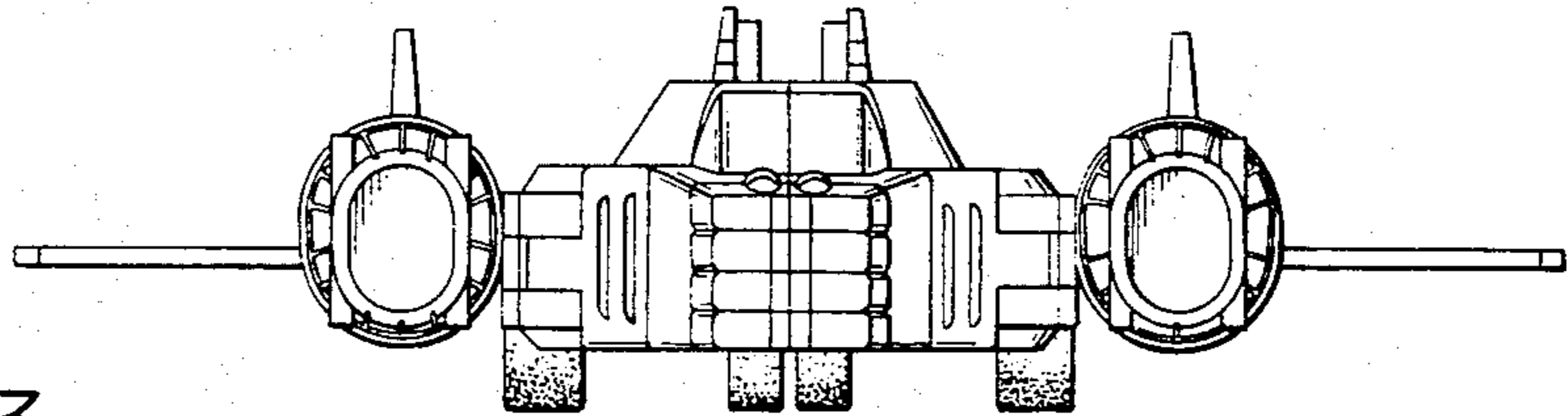


FIG. 3

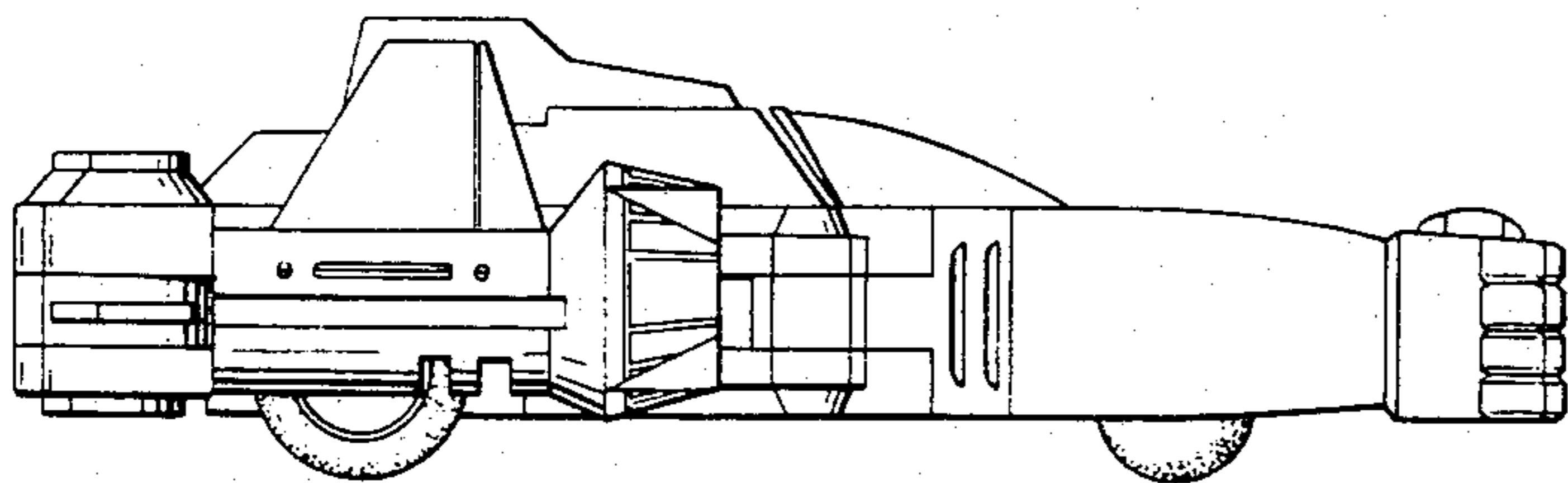


FIG. 5

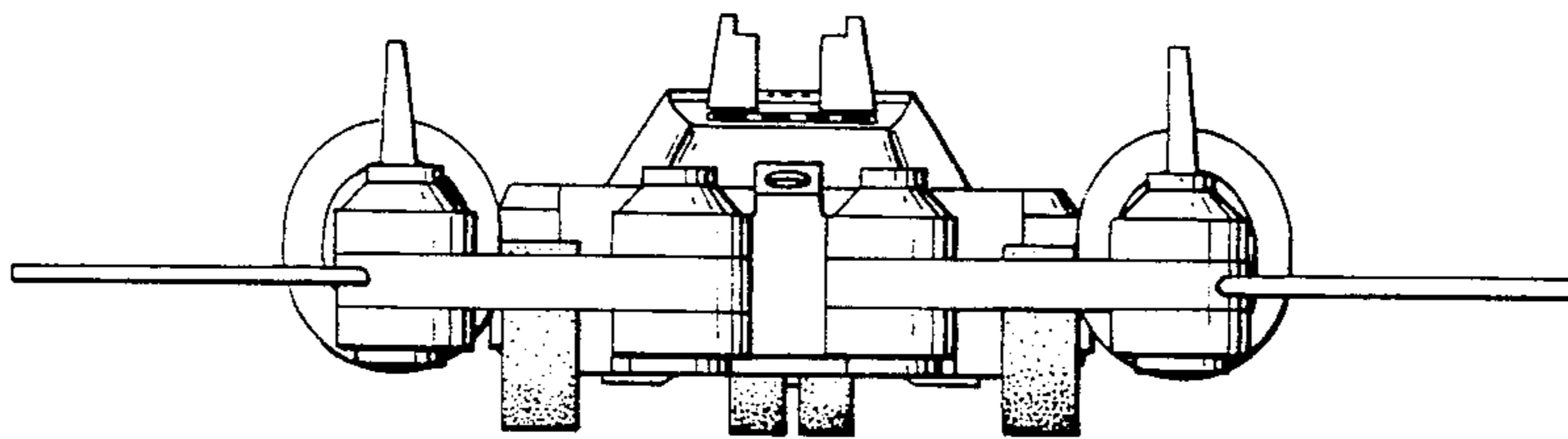


FIG. 6

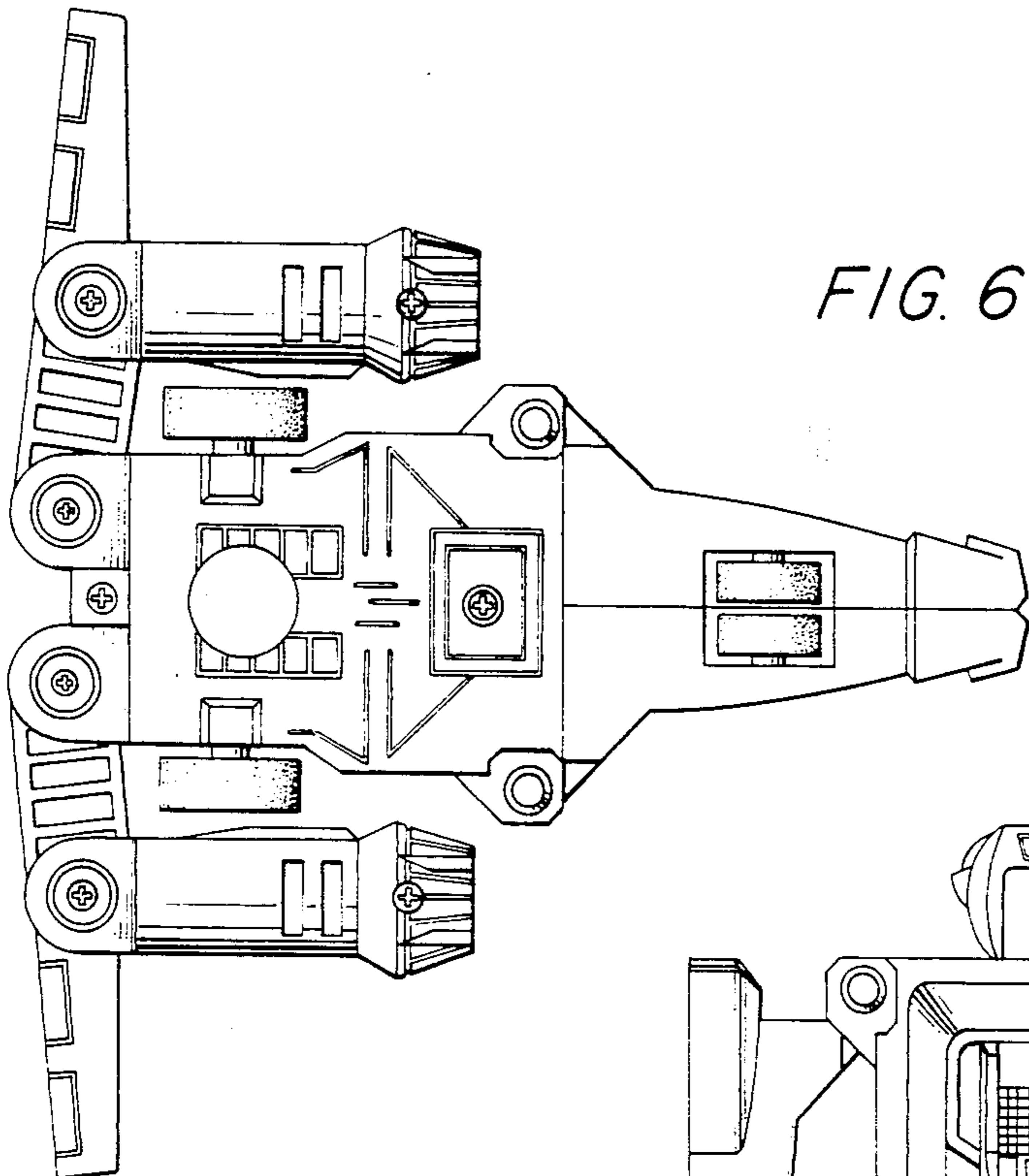


FIG. 7

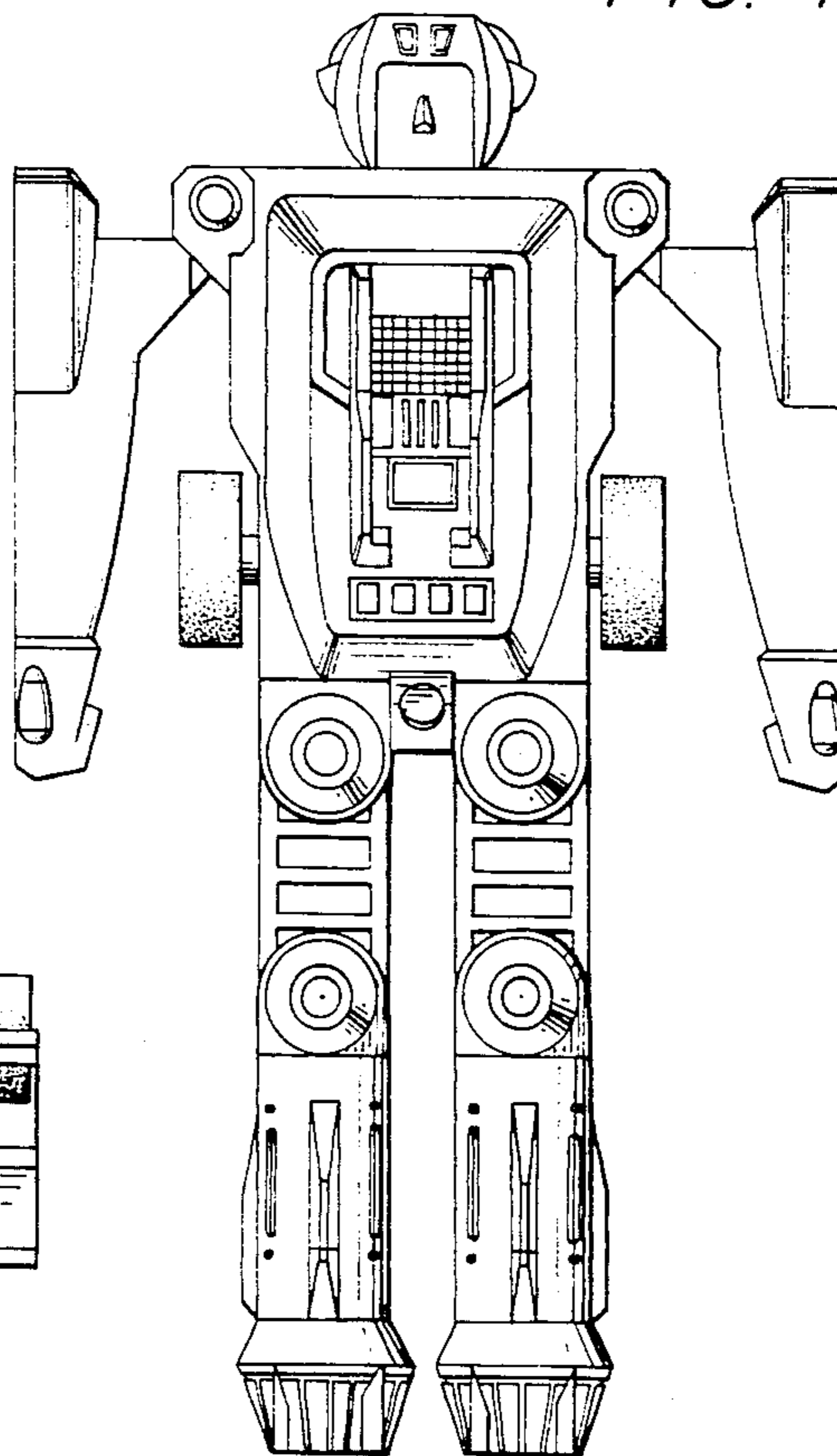


FIG. 9

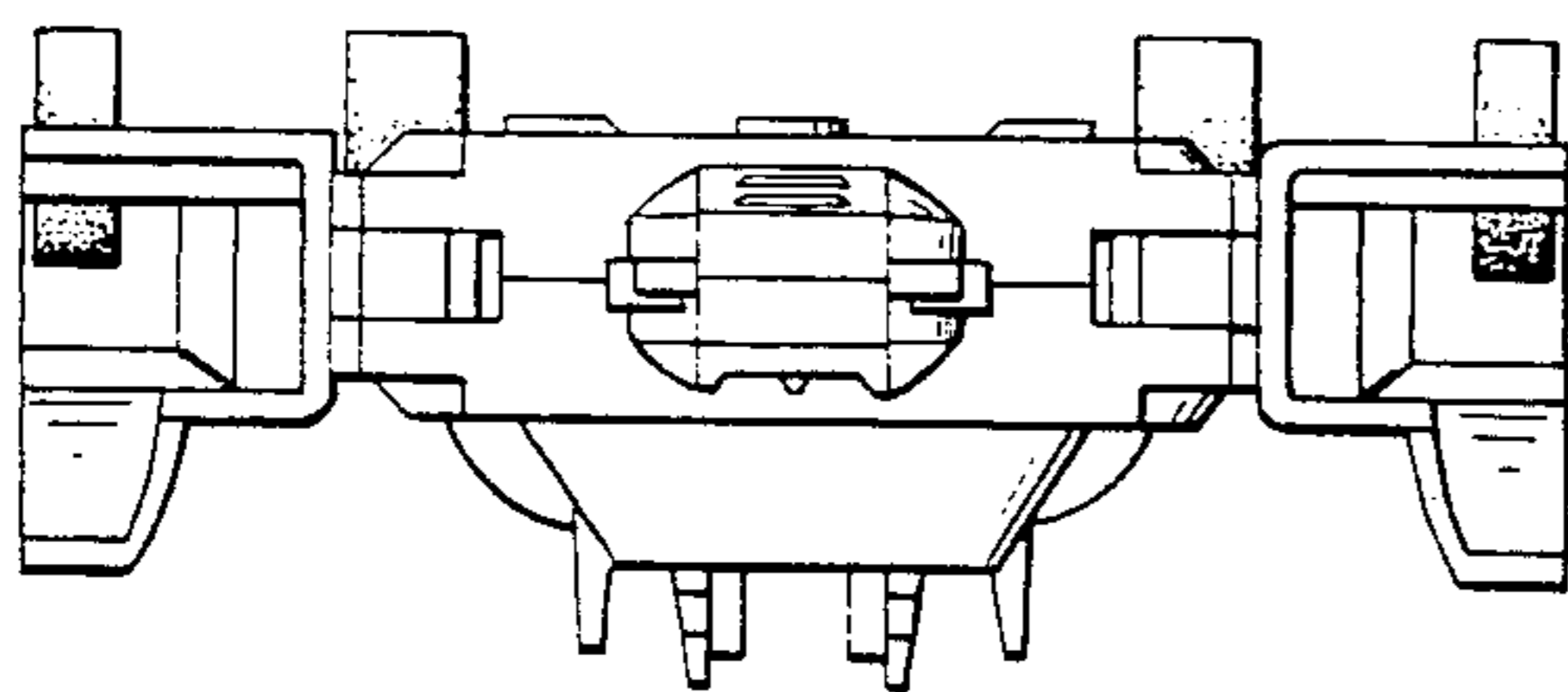


FIG. 8

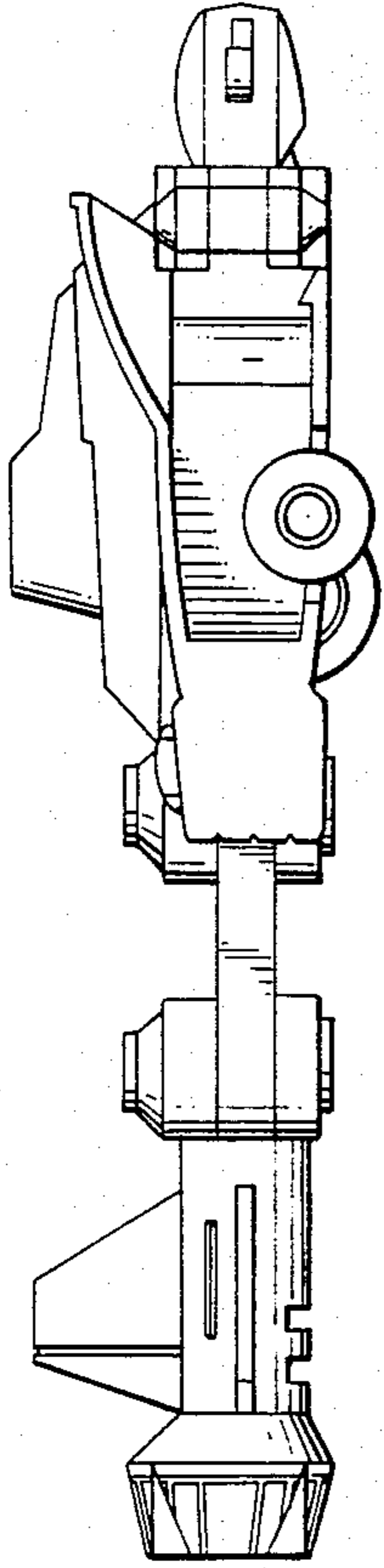


FIG. 10

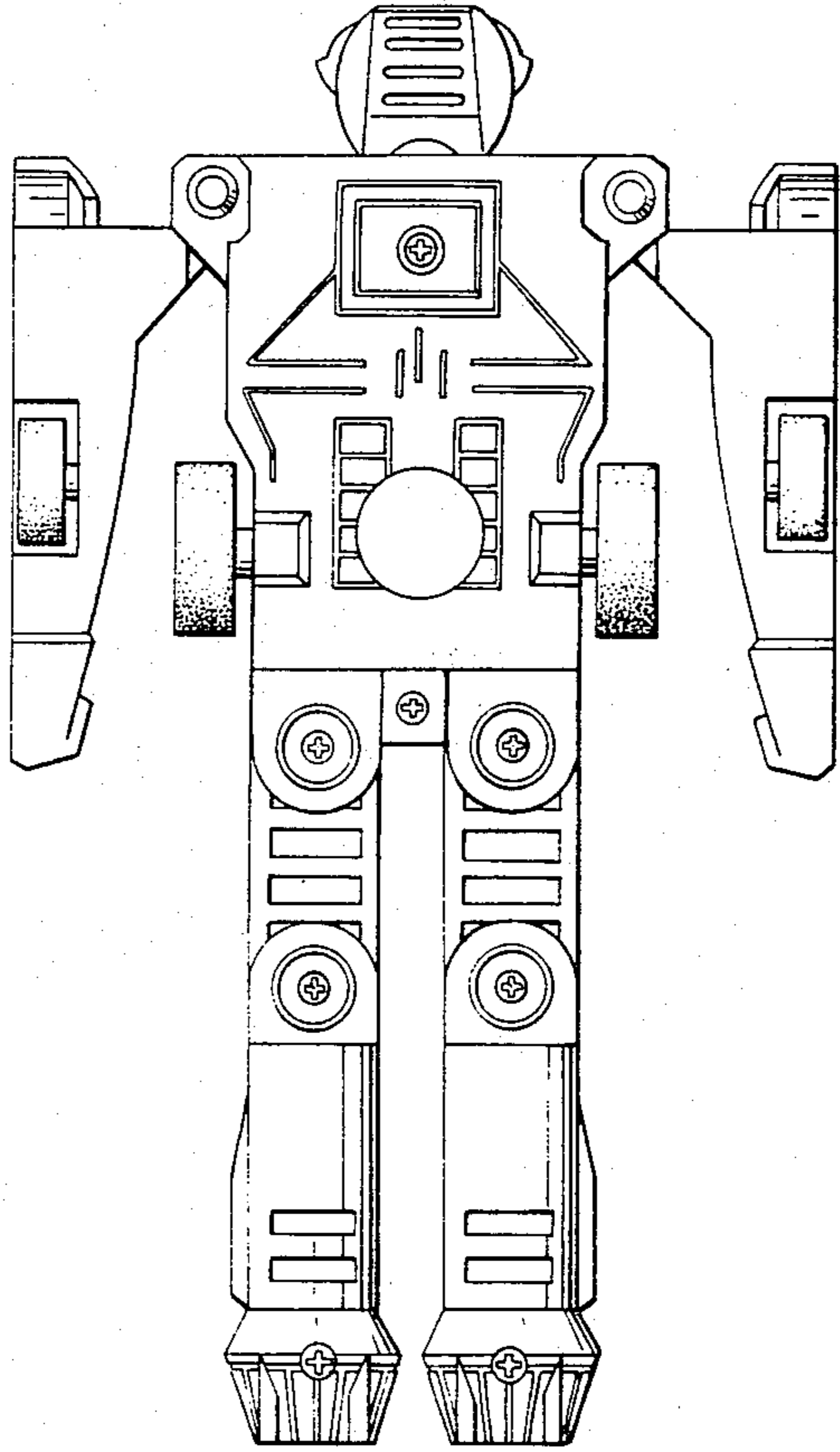


FIG. 11

