

[54] **NOTE PAD HOLDER**

[76] **Inventor: Carl G. Cantonis, 2040 Redondo Place, Fullerton, Calif. 92635**

[**] **Term: 14 Years**

[21] **Appl. No.: 372,468**

[22] **Filed: Apr. 28, 1982**

[52] **U.S. Cl. D19/28; D3/66; D19/24; D19/97**

[58] **Field of Search D4/36, 38, 1; D19/26, D19/24, 28-31, 75, 86, 92; 281/15 B; 15/171-174, DIG. 4; D3/66**

[56] **References Cited**

U.S. PATENT DOCUMENTS

1,957,601 5/1934 Kersting D4/38
2,792,581 5/1957 Woyton .

OTHER PUBLICATIONS

Current Cat. 1981, p. 58, Item "A".
Osborn Cat. No. 150; 1918, p. 814.

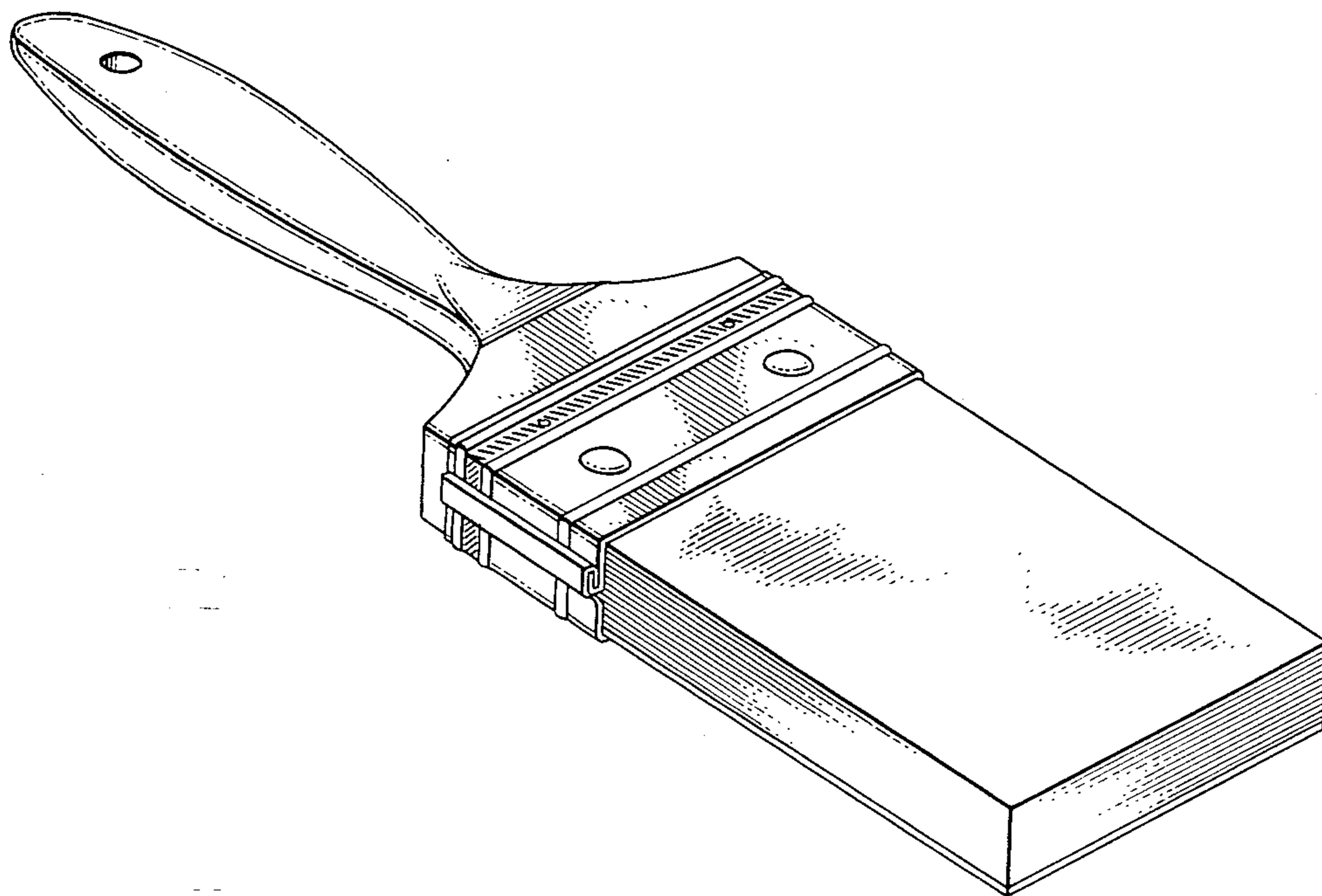
Primary Examiner—George P. Word

[57] **CLAIM**

The ornamental design for a note pad holder, as shown.

DESCRIPTION

FIG. 1 is a perspective view of a note pad holder showing my new design;
FIG. 2 is a top plan view;
FIG. 3 is an end elevational view;
FIG. 4 is a side elevational view;
FIG. 5 is an end elevational view opposite to that of FIG. 3; and
FIG. 6 is a bottom plan view.



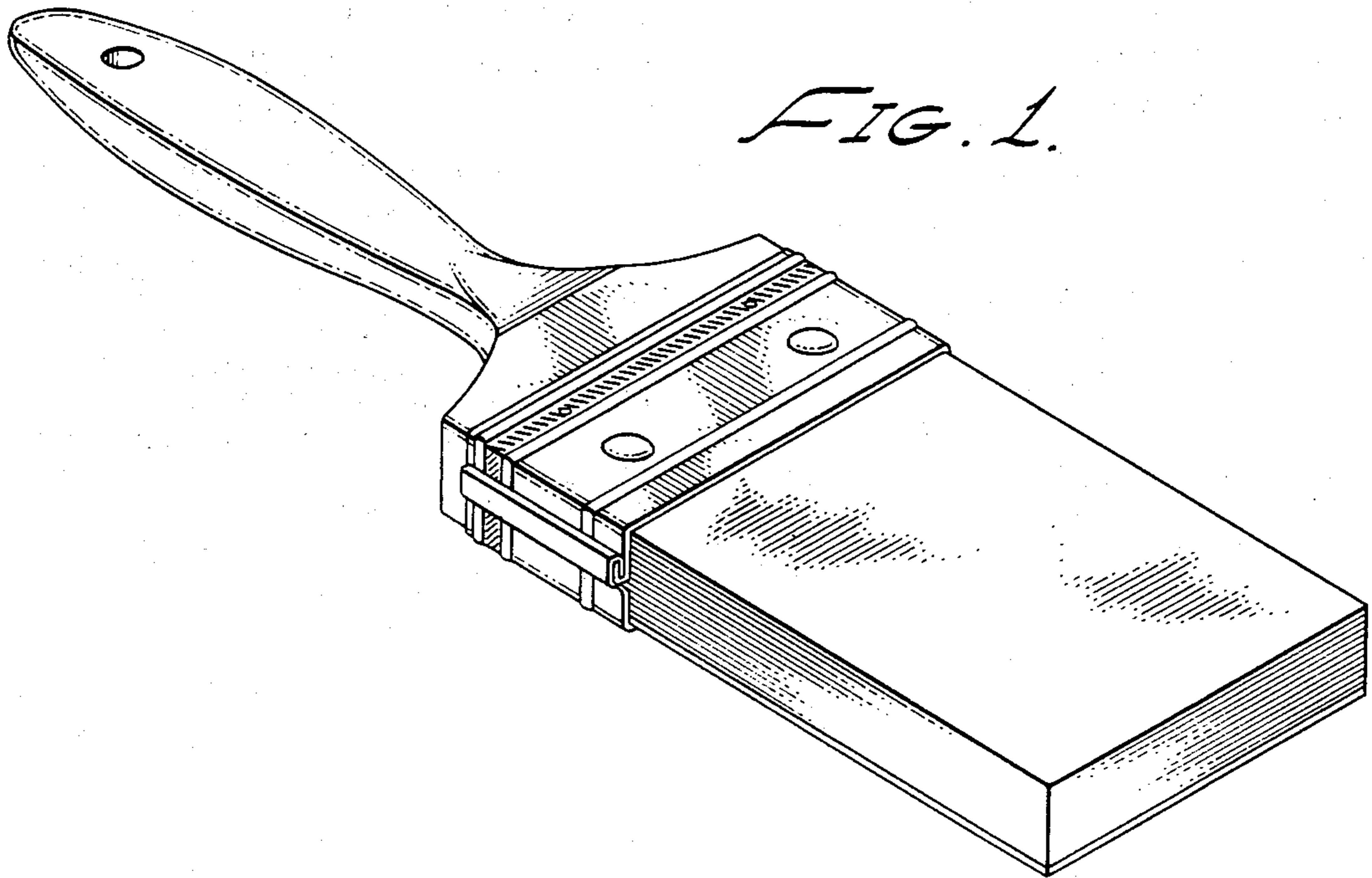


FIG. 1.

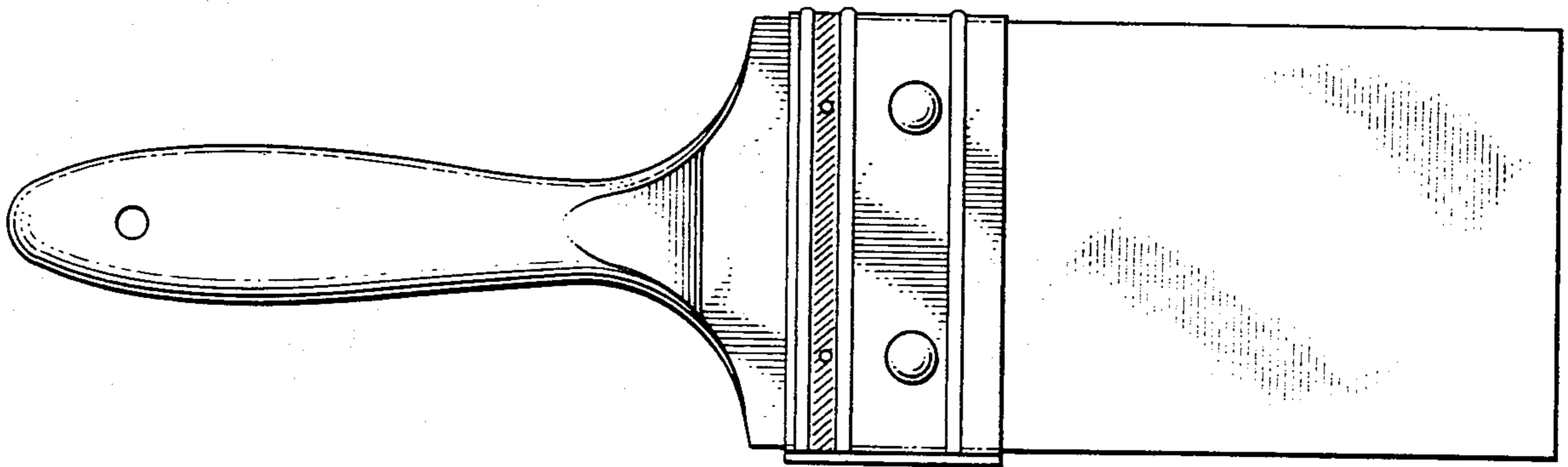


FIG. 2.

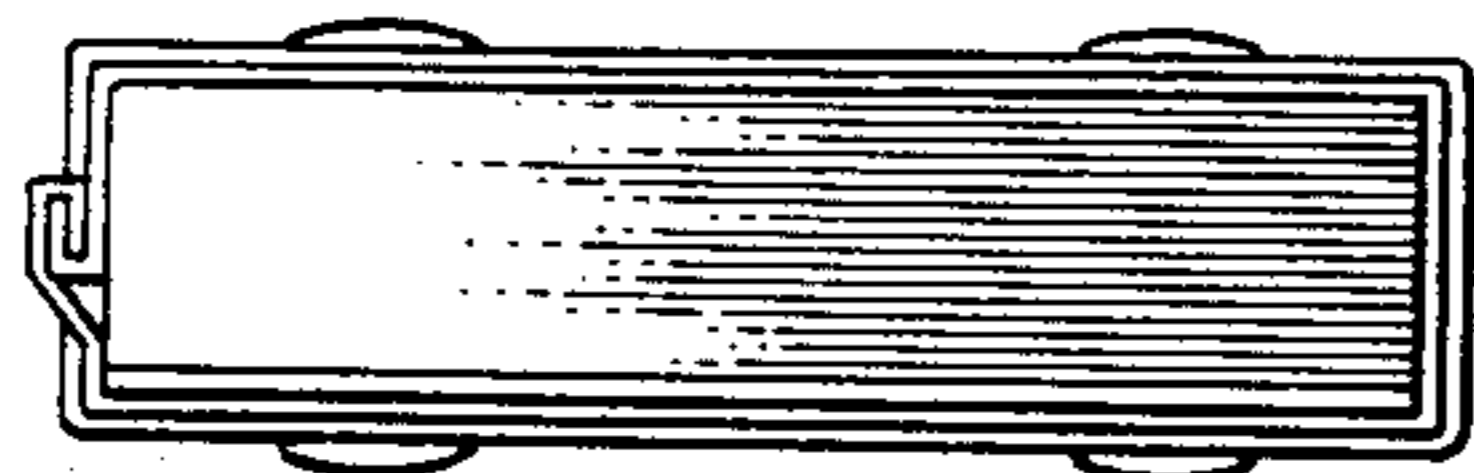


FIG. 3.

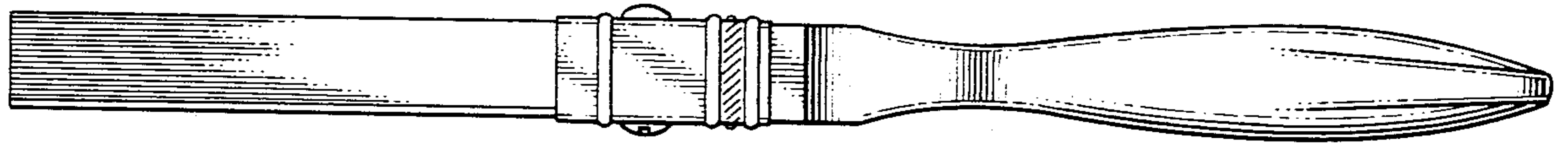


FIG. 4.

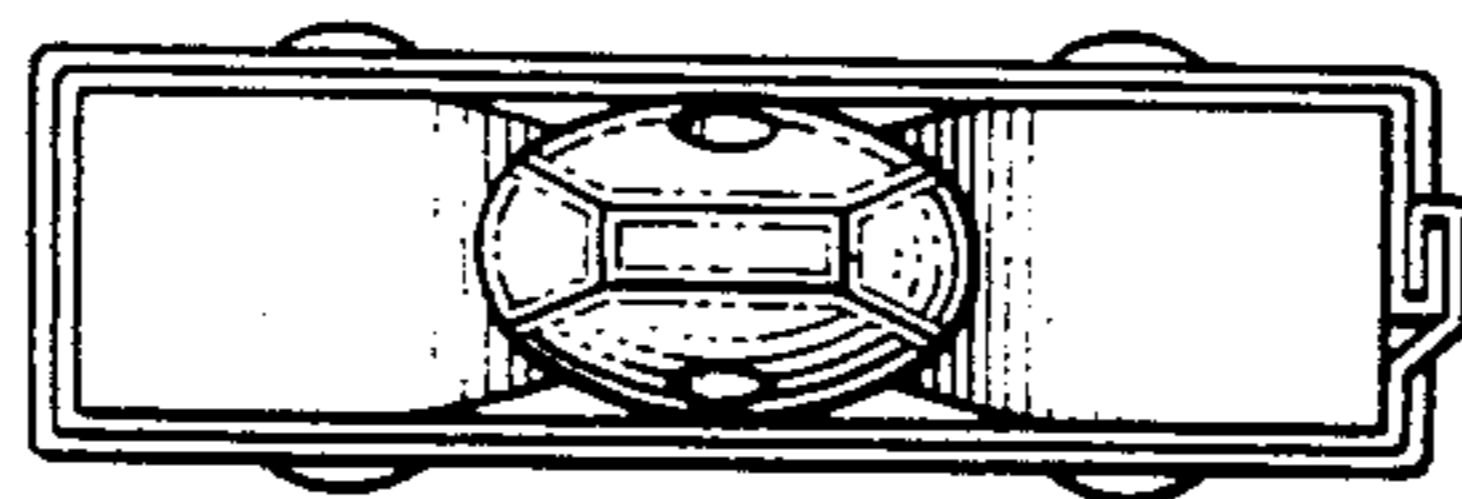


FIG. 5.

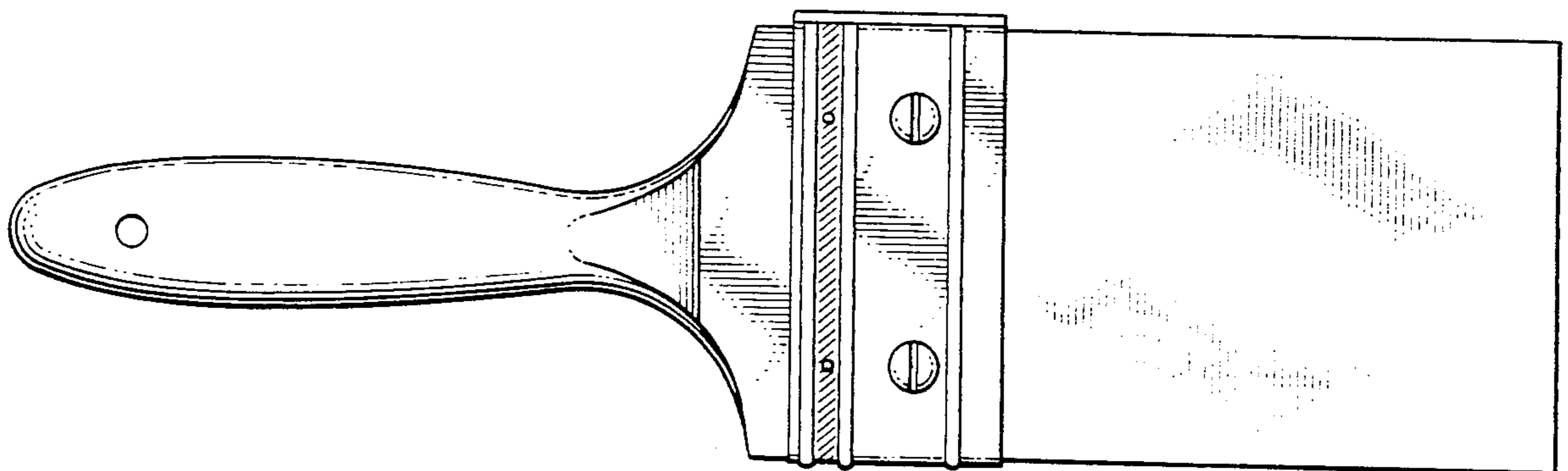


FIG. 6.