

United States Patent [19]

Anderson

[11] Patent Number: **Des. 278,623**

[45] Date of Patent: **** Apr. 30, 1985**

[54] TELEPHONE WIRE AERIAL ENCLOSURE

[75] Inventor: Lyle R. Anderson, Oakdale, Minn.

[73] Assignee: Minnesota Mining and Manufacturing Company, St. Paul, Minn.

[**] Term: 14 Years

[21] Appl. No.: 405,354

[22] Filed: Aug. 5, 1982

[52] U.S. Cl. D13/24

[58] Field of Search D13/24, 13; 174/72 R, 174/84 C, 88 R, 91, 92, 138 F

[56] **References Cited**

U.S. PATENT DOCUMENTS

2,891,101 6/1959 Kolis 174/92 X
3,054,849 9/1962 Colbert 174/92

3,916,082 10/1975 Gillemot 174/92 X
3,992,569 11/1976 Hankins 174/92

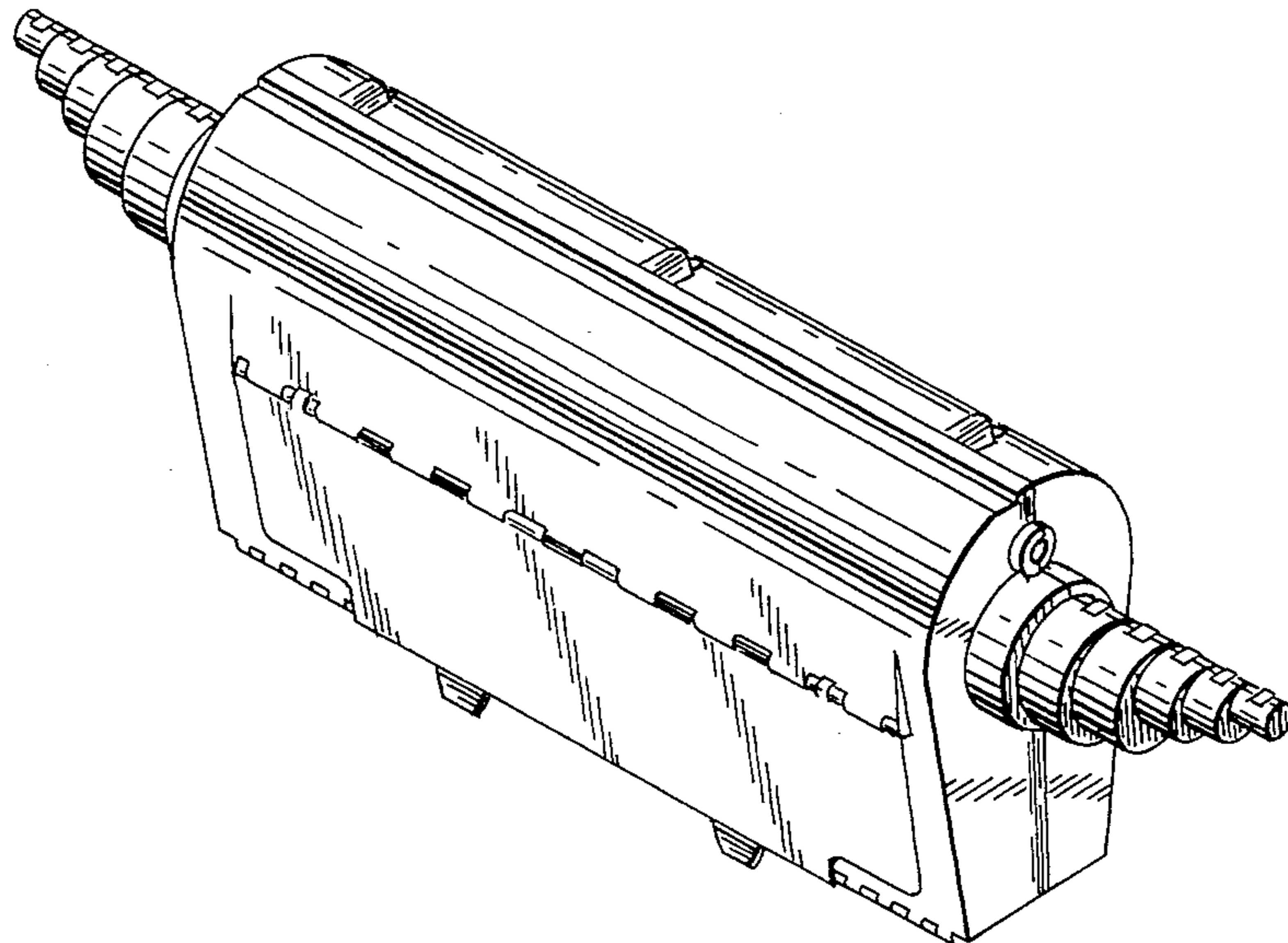
Primary Examiner—Susan J. Lucas
Attorney, Agent, or Firm—Donald M. Sell; James A. Smith; William L. Huebsch

[57] **CLAIM**

The ornamental design for a telephone wire aerial enclosure, as shown and described.

DESCRIPTION

FIG. 1 is a perspective view of a telephone wire aerial enclosure showing my new design; FIG. 2 is a top view thereof on an enlarged scale; FIG. 3 is a left side view thereof on an enlarged scale; FIG. 4 is a right side view thereof on an enlarged scale; FIG. 5 is a bottom view thereof on an enlarged scale; and FIG. 6 is an end view thereof on an enlarged scale, the opposite end being a mirror image.



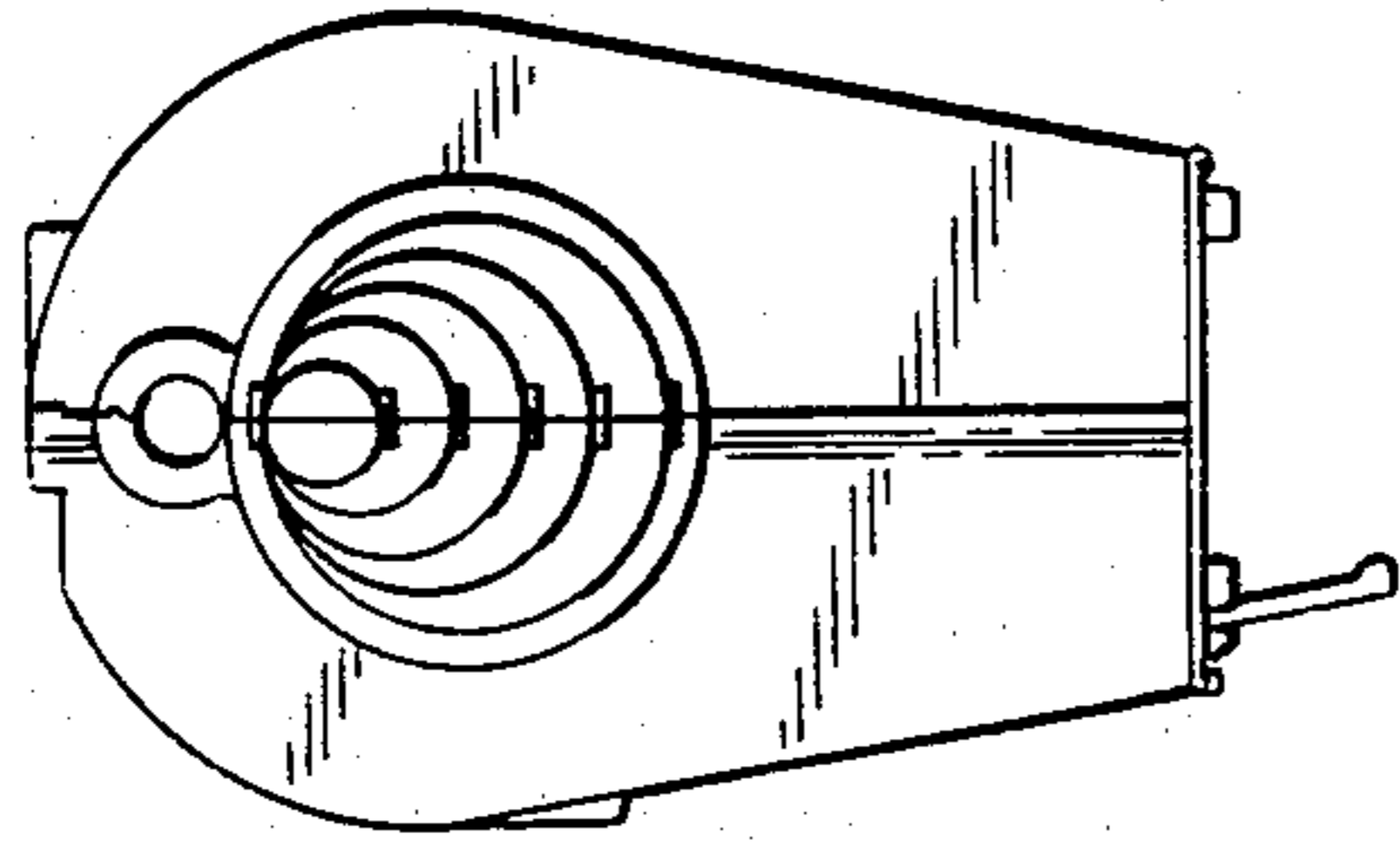


FIG. 6

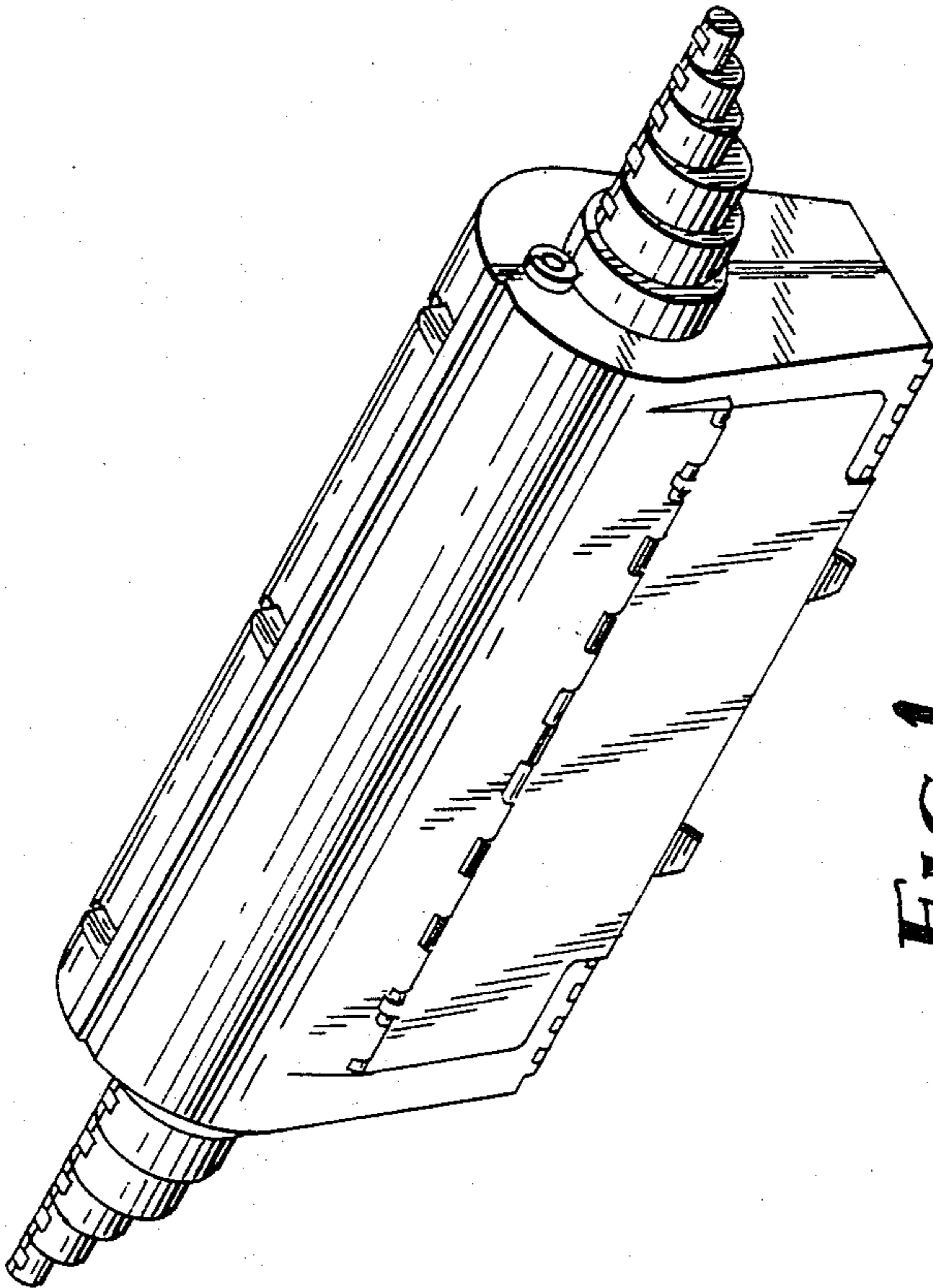


FIG. 1

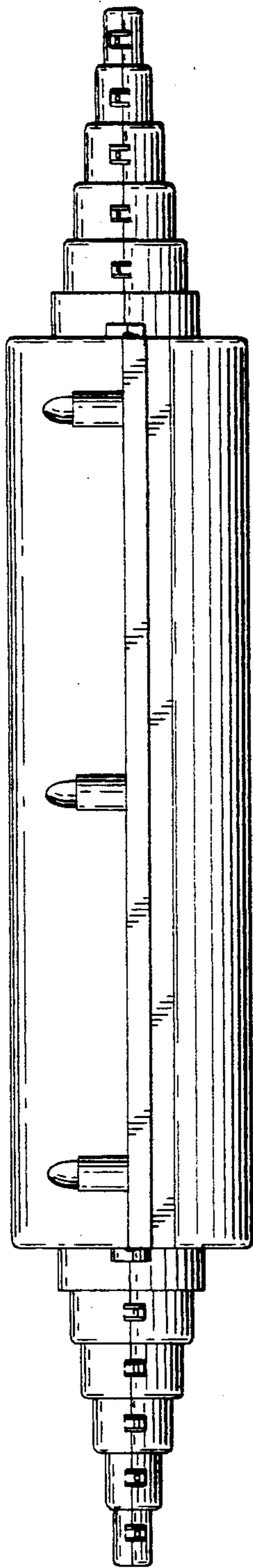


FIG. 2

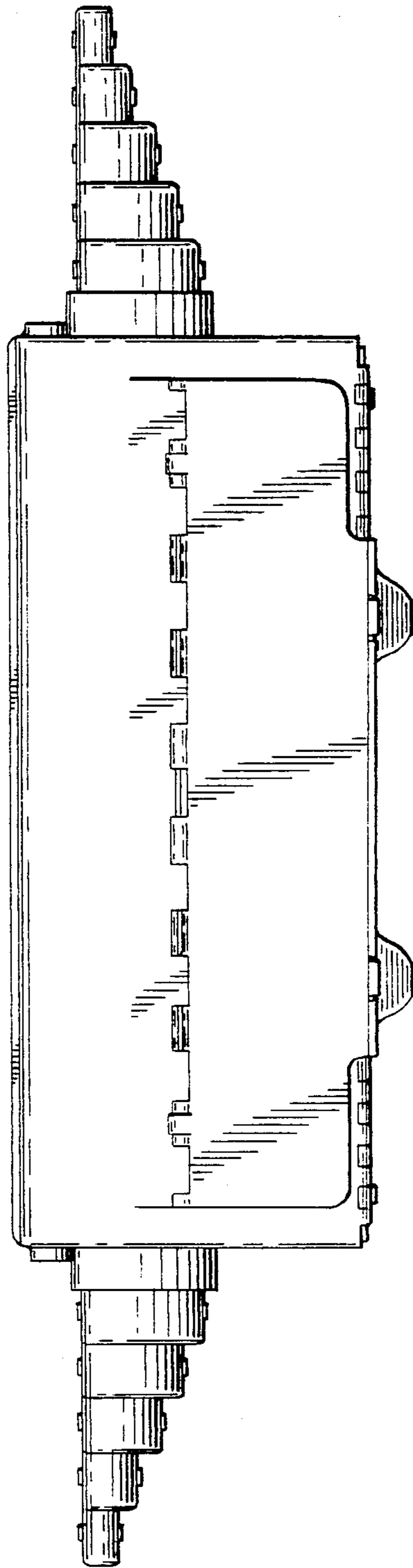


FIG. 3

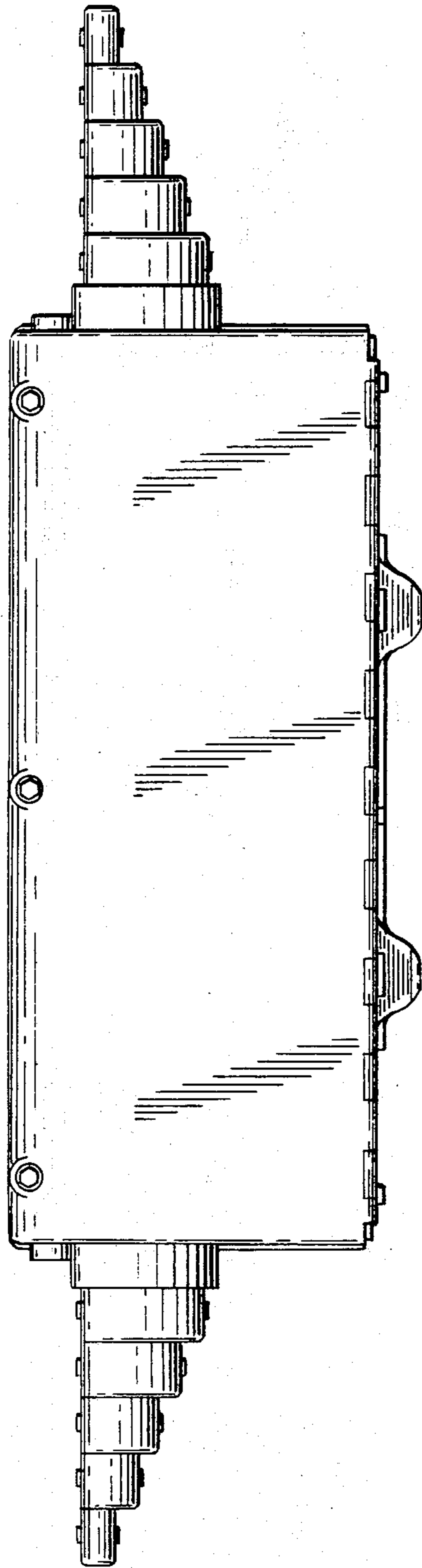


FIG. 4

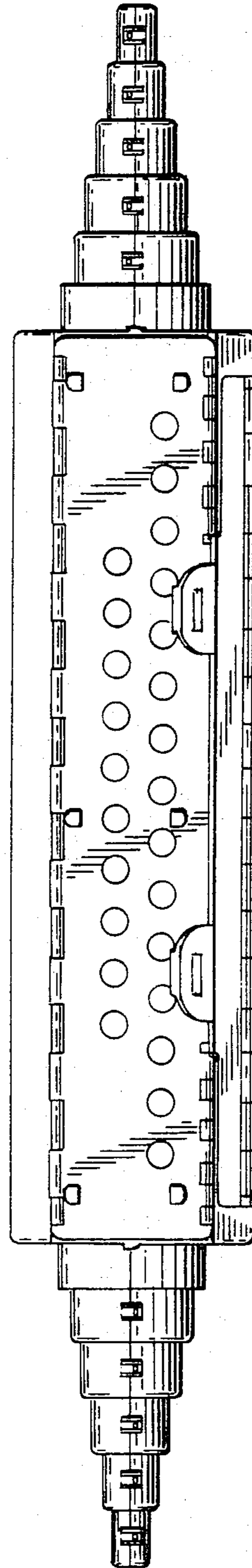


FIG. 5