

[54] **AUXILIARY ENGINE MOUNT FOR A BOAT
TRANSOM**

[76] Inventor: **Gary B. Hunnell**, 4038 E. University,
Des Moines, Iowa 50317

[**] Term: **14 Years**

[21] Appl. No.: **395,318**

[22] Filed: **Jul. 6, 1982**

[52] U.S. Cl. **D12/317; D15/4**

[58] Field of Search **D15/4; D12/317;**
248/640, 641, 643

[56] **References Cited**

U.S. PATENT DOCUMENTS

D. 201,263 6/1965 Chambers D15/4
2,808,218 10/1957 Steller D12/317

3,558,092 1/1971 Hanson 248/352

Primary Examiner—James M. Gandy
Attorney, Agent, or Firm—Rudolph L. Lowell

[57] **CLAIM**

The ornamental design for an auxiliary engine mount
for a boat transom, substantially as shown.

DESCRIPTION

FIG. 1 is a front top perspective view of an auxiliary
engine mount for a boat transom showing my new de-
sign;

FIG. 2 is a right side elevational view thereof;

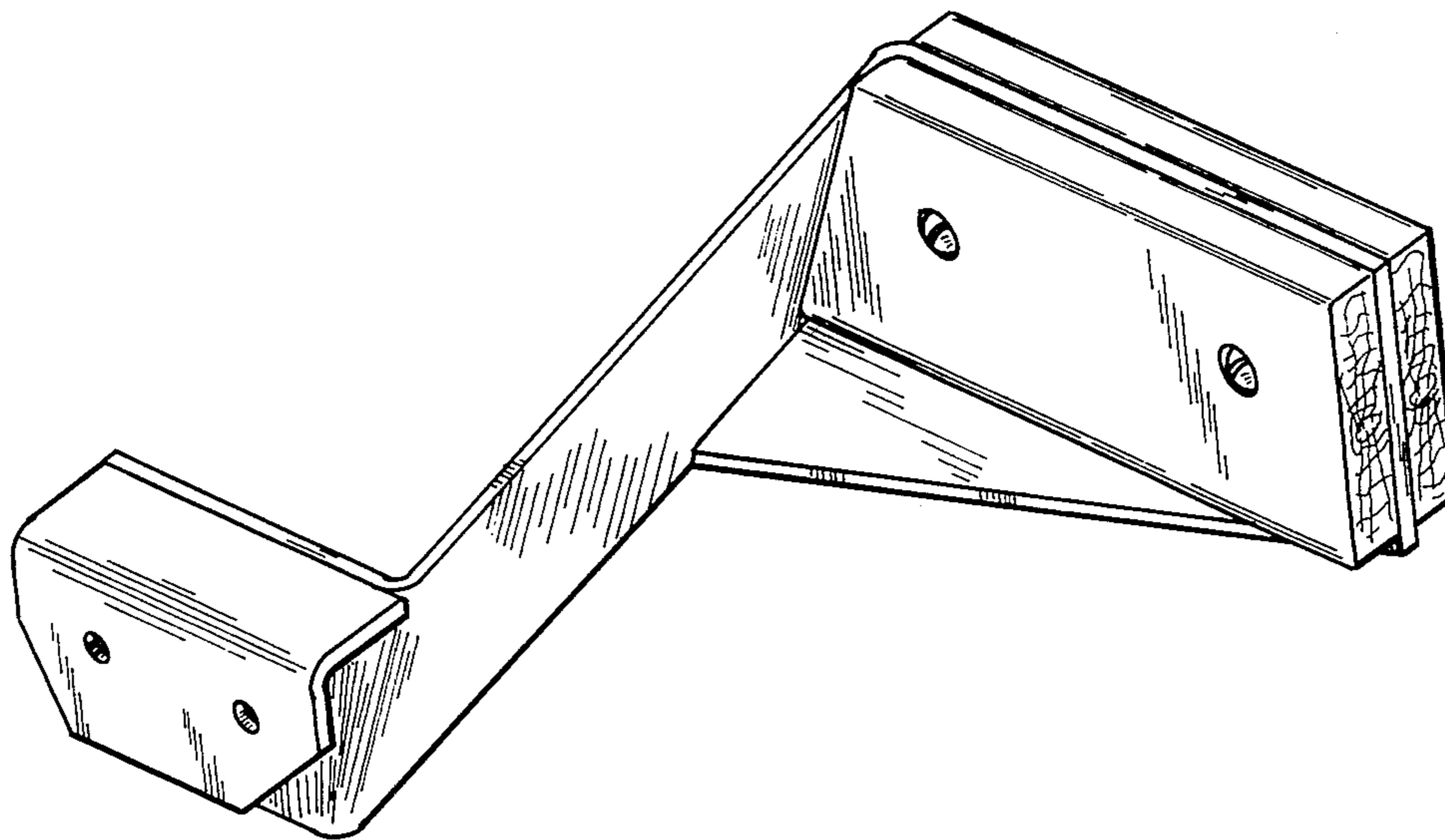
FIG. 3 is a top plan view thereof;

FIG. 4 is a front elevational view thereof;

FIG. 5 is a left side elevational view thereof;

FIG. 6 is a rear elevational view thereof, and

FIG. 7 is a bottom plan view thereof.



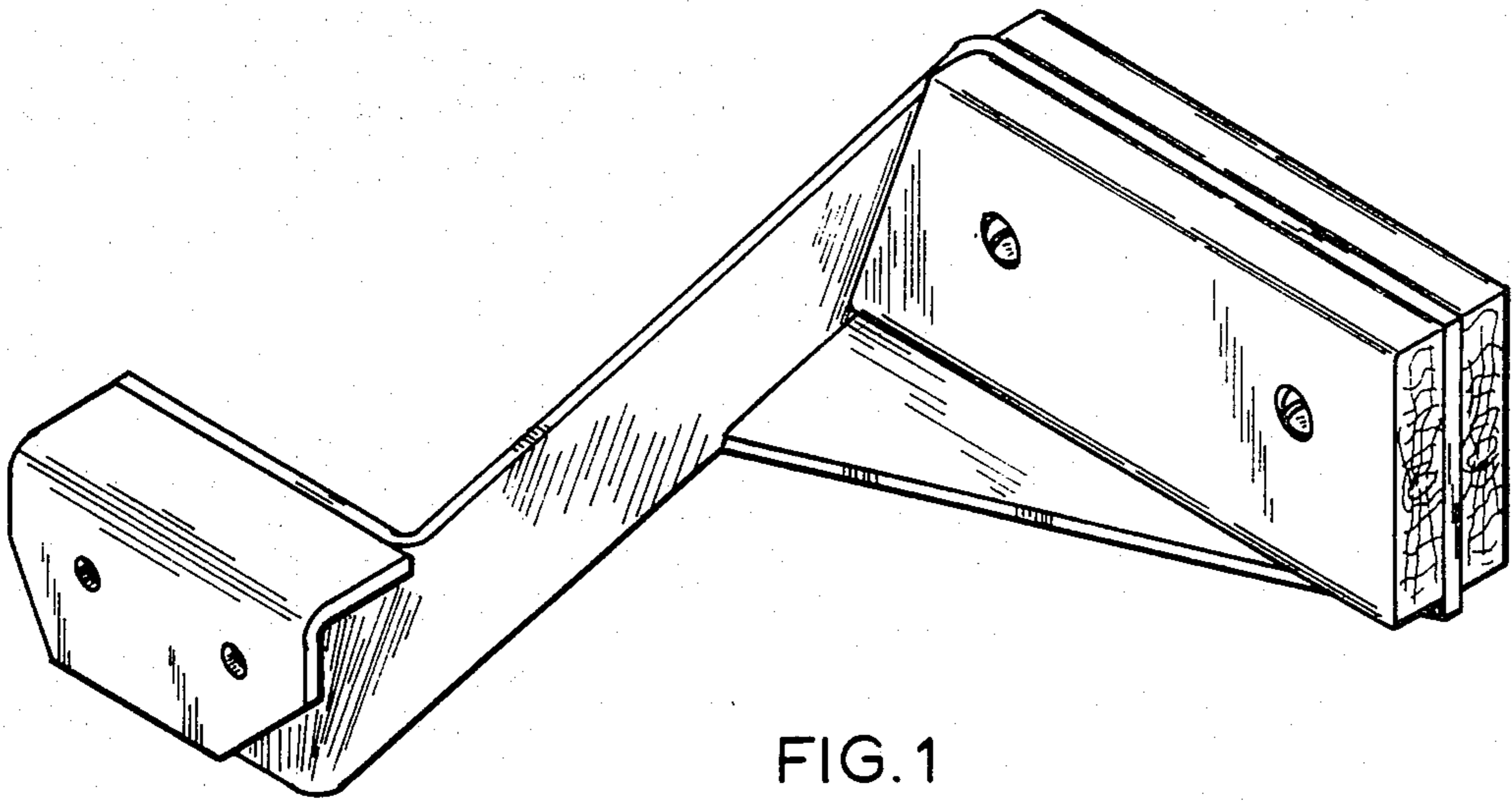


FIG. 1

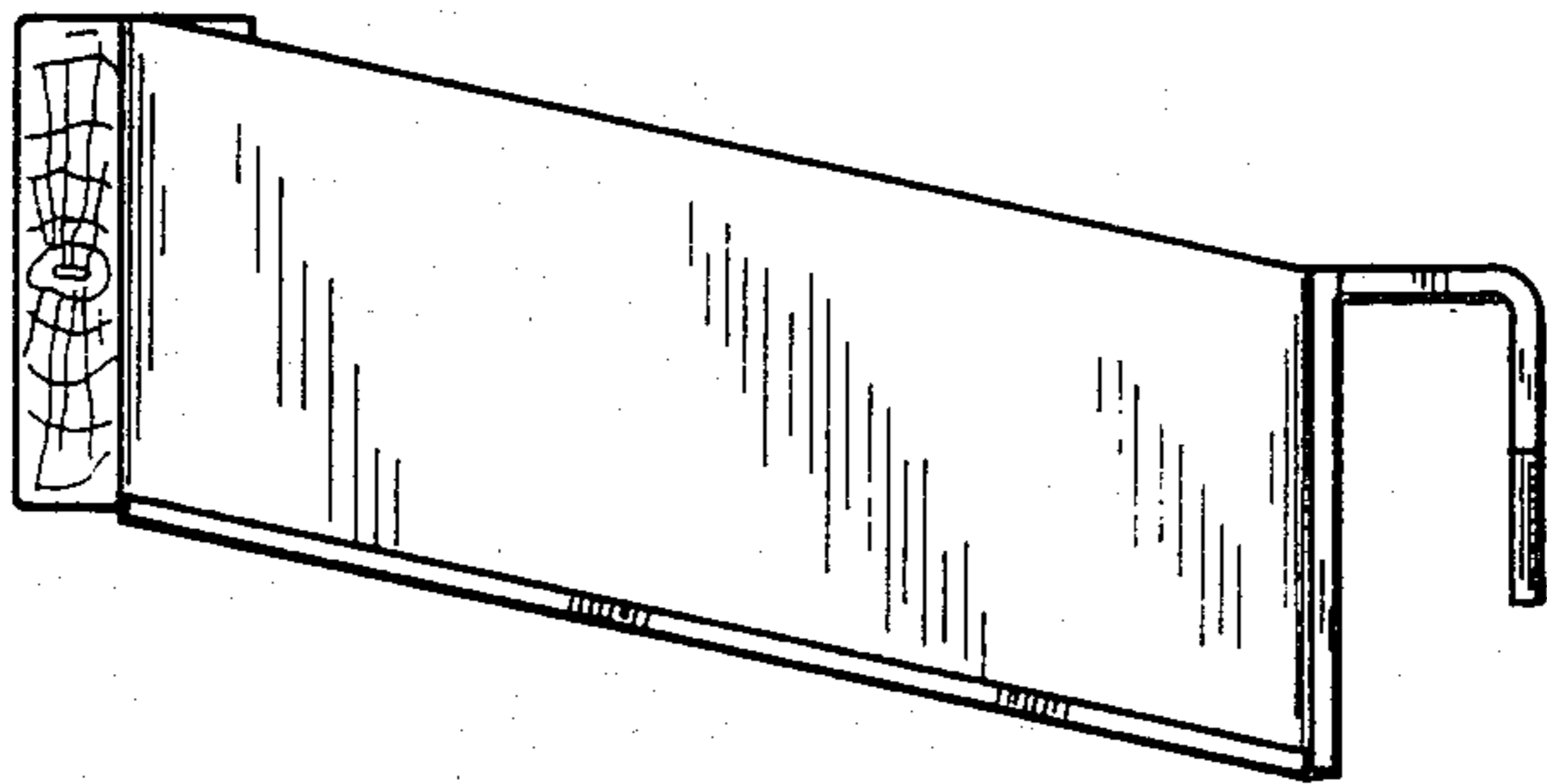


FIG. 2

FIG. 3

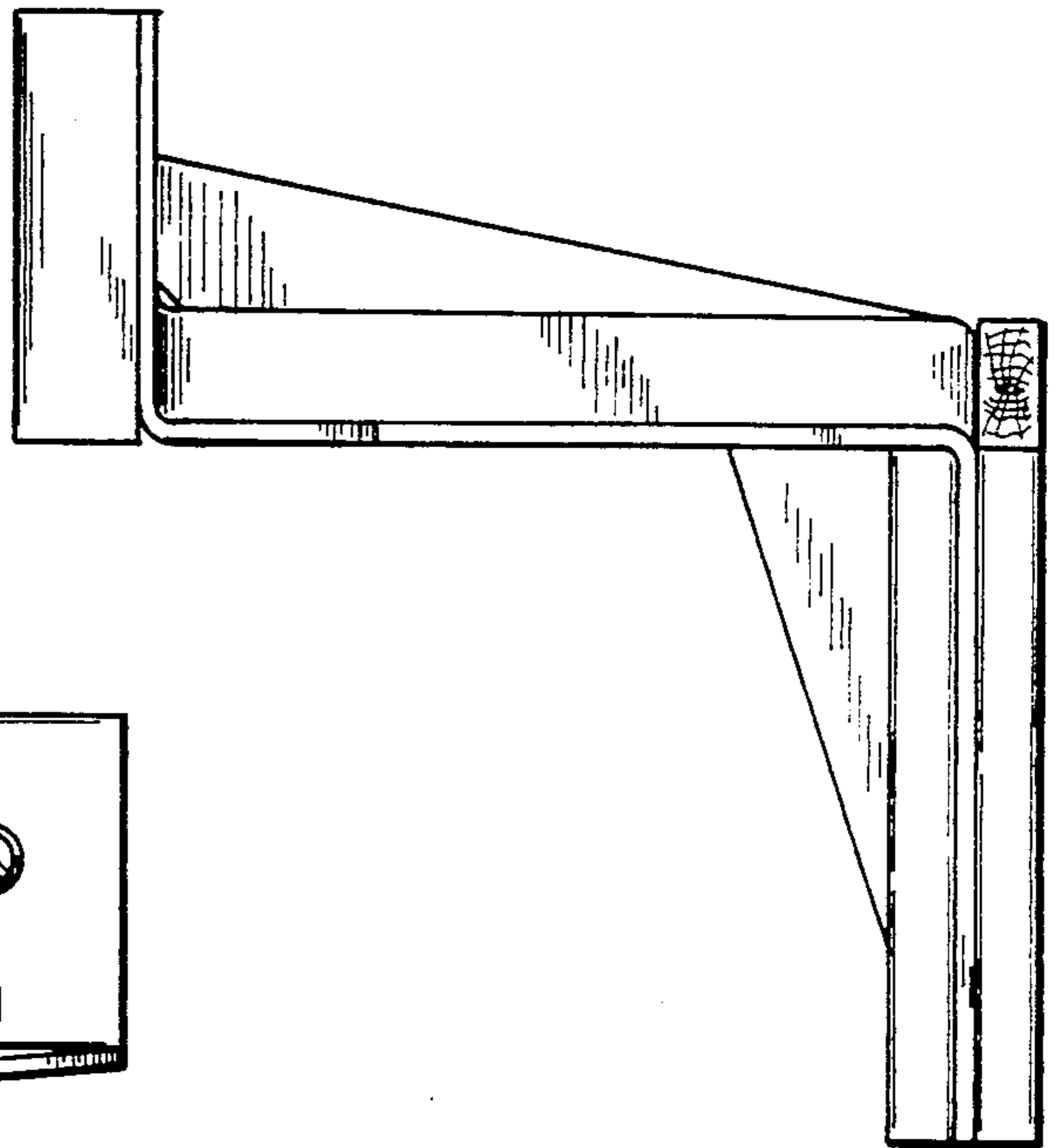


FIG. 4

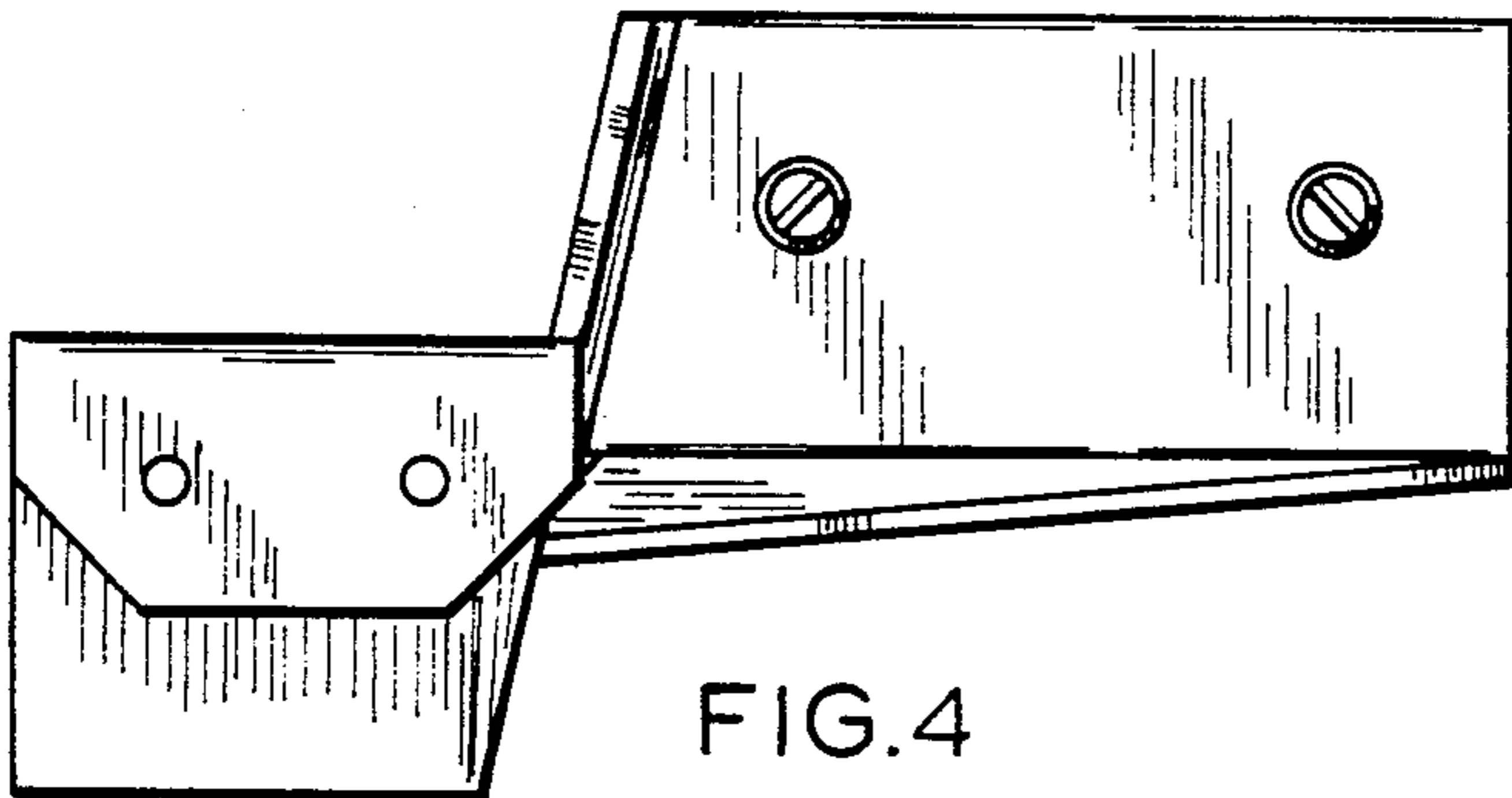


FIG. 5

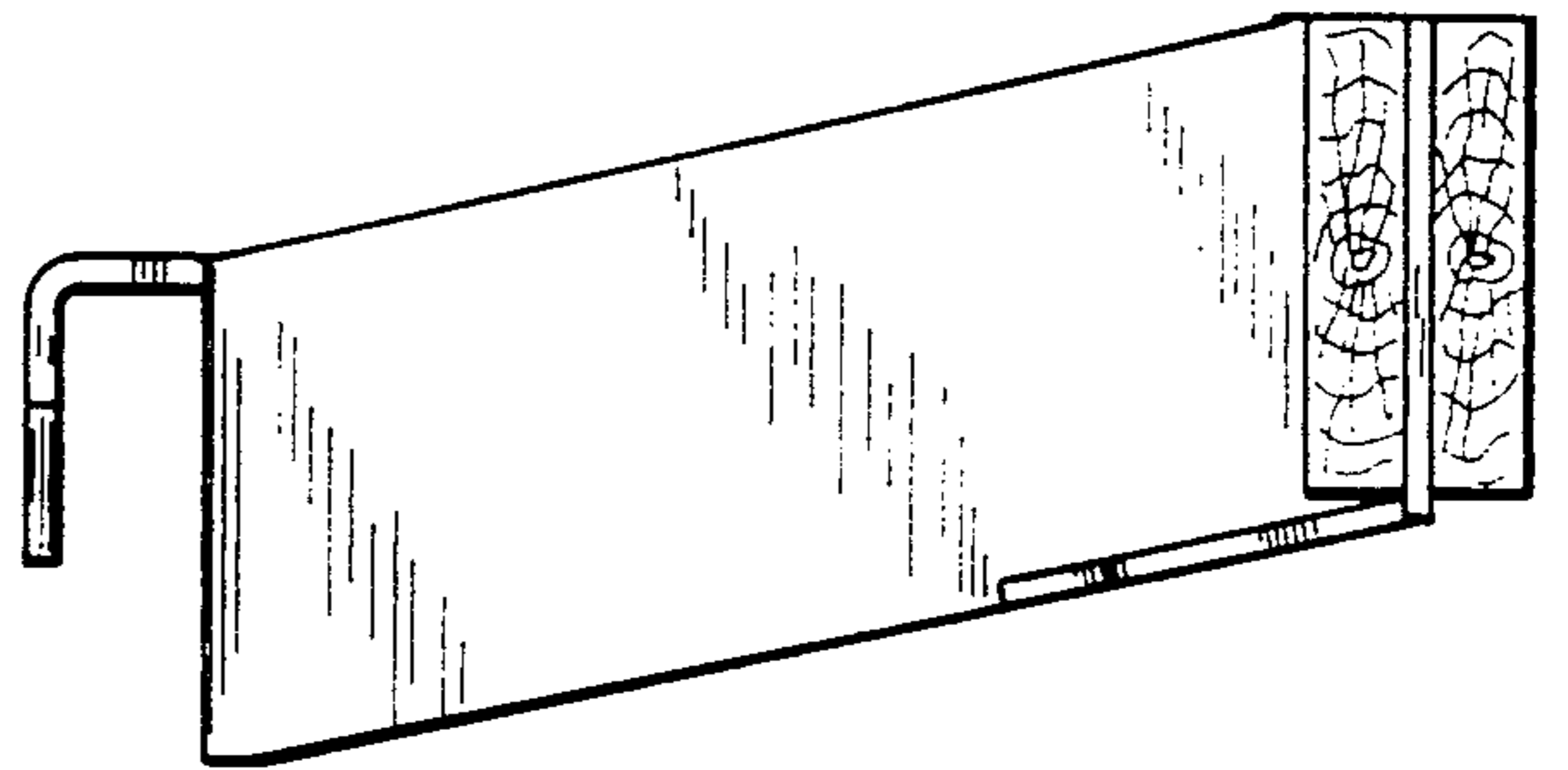


FIG. 6

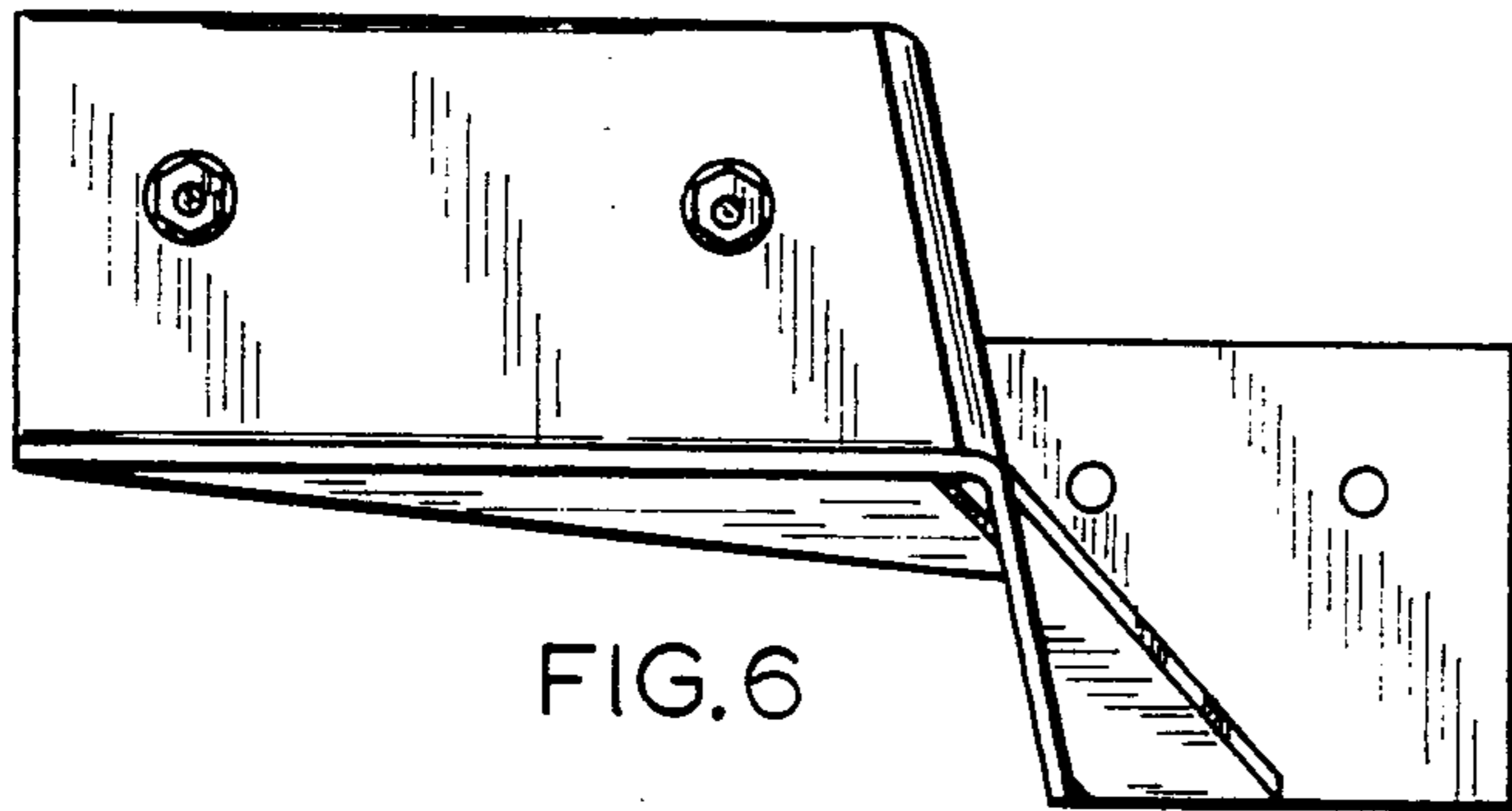


FIG. 7

