

[54] **BICYCLE BRAKE SHOE**

[75] **Inventor: Richard C. Everett, West Linn, Oreg.**

[73] **Assignee: Kool-Stop International, Inc., Lake Oswego, Oreg.**

[**] **Term: 14 Years**

[21] **Appl. No.: 412,787**

[22] **Filed: Aug. 30, 1982**

[52] **U.S. Cl. D12/180**

[58] **Field of Search D12/180; 188/24.12, 188/24.21, 24.22, 250 B, 264 A**

[56] **References Cited**

U.S. PATENT DOCUMENTS

4,036,333 7/1977 Mathauser 188/24.12

Primary Examiner—James M. Gandy

Attorney, Agent, or Firm—Edward E. Roberts

[57] **CLAIM**

The ornamental design for a bicycle brake shoe, as shown.

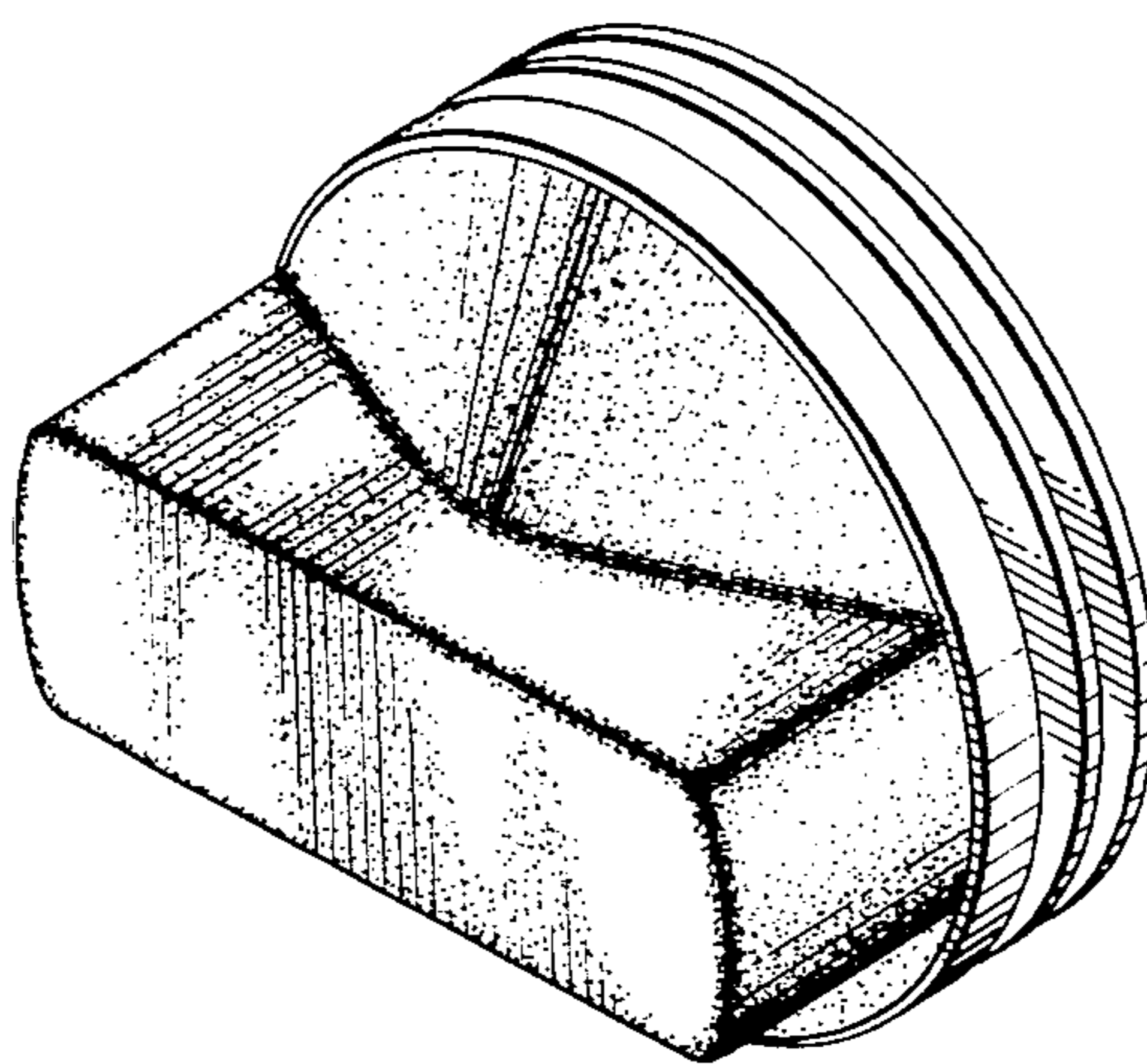
DESCRIPTION

FIG. 1 is a top, front and left side perspective view of a bicycle brake shoe showing my new design;

FIG. 2 is a bottom, back and right side perspective view thereof;

FIG. 3 is a front elevational view thereof; and

FIG. 4 is a left side elevational view thereof.



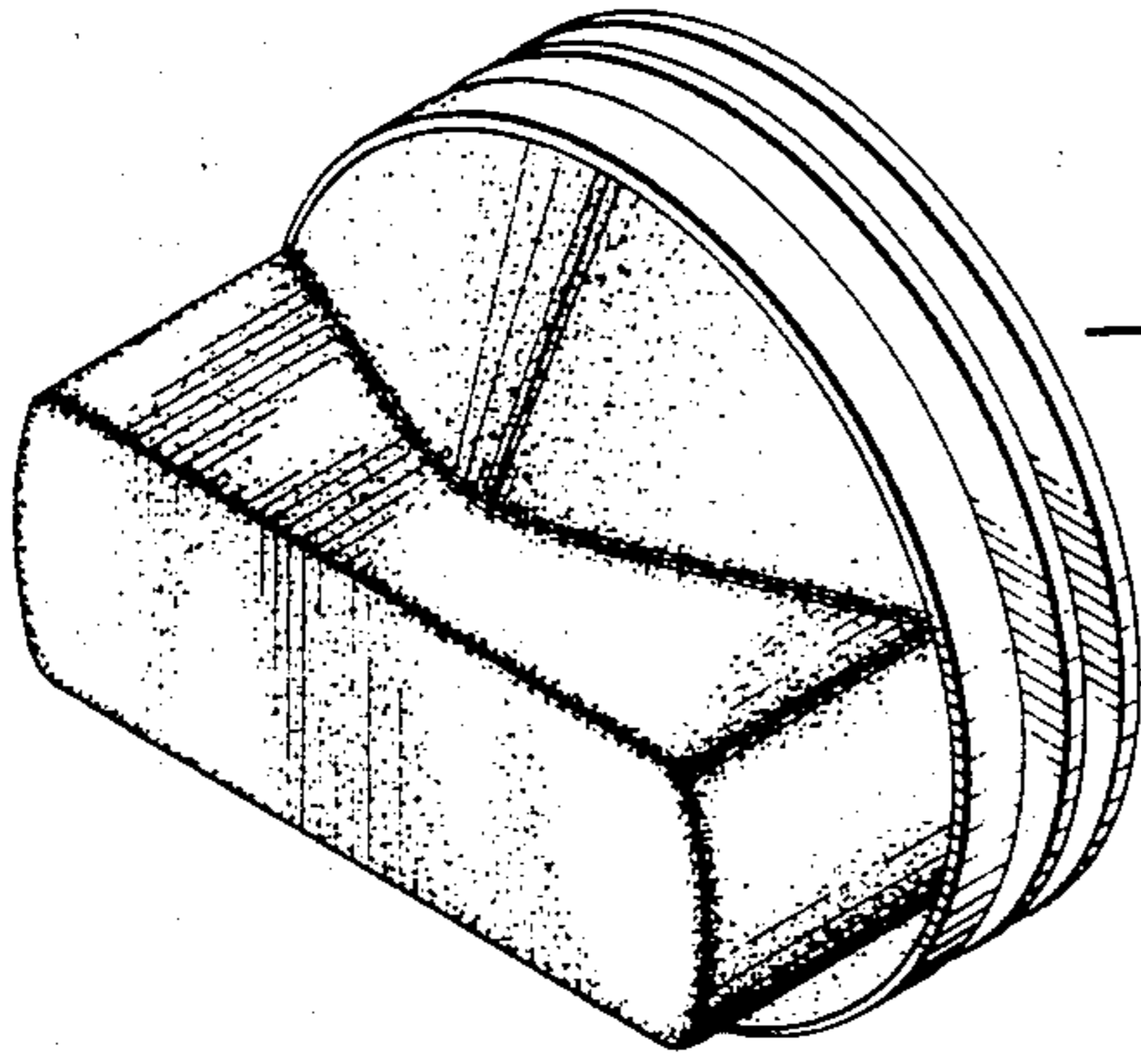


FIG. 1.

FIG. 2.

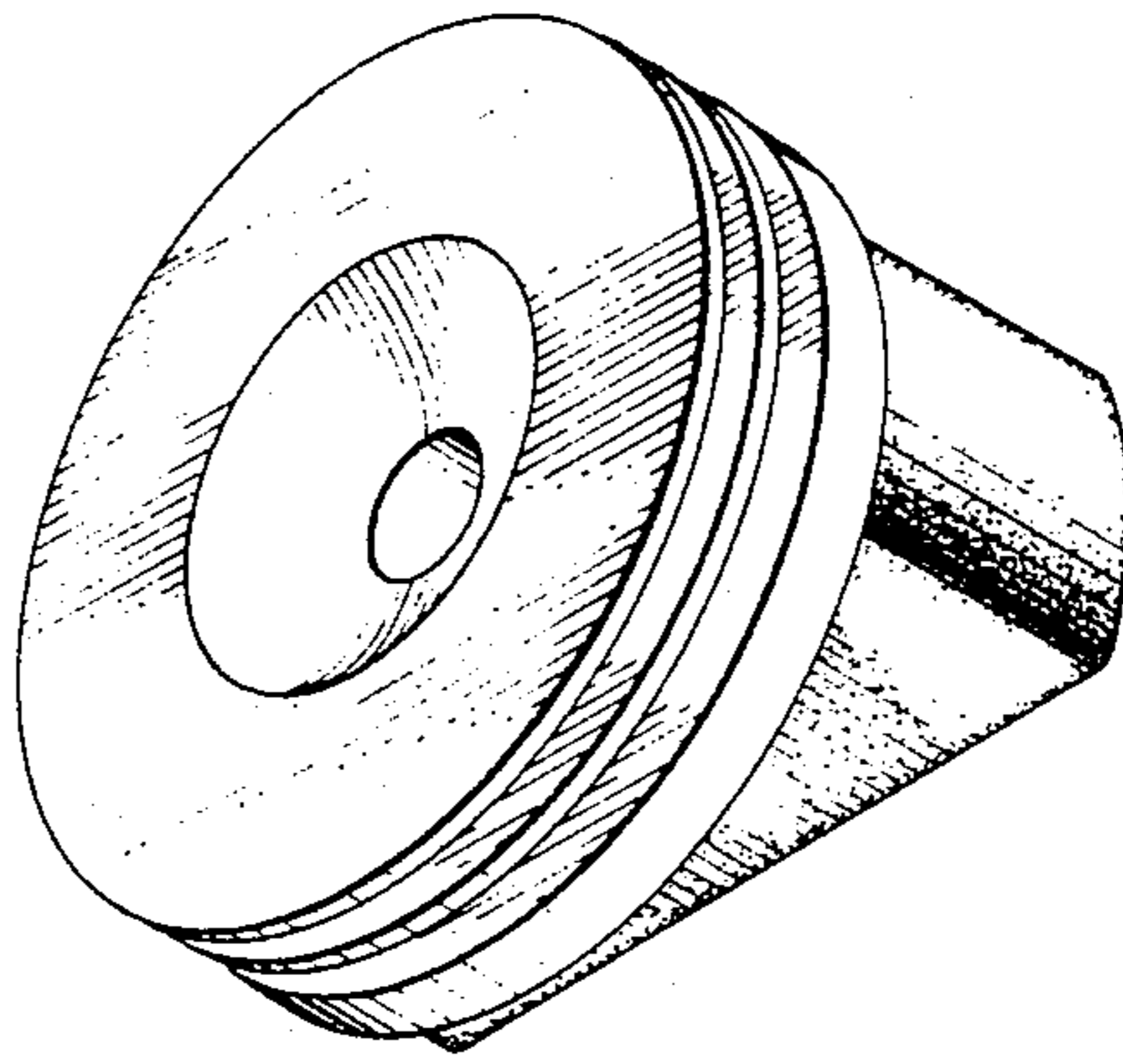


FIG. 3.

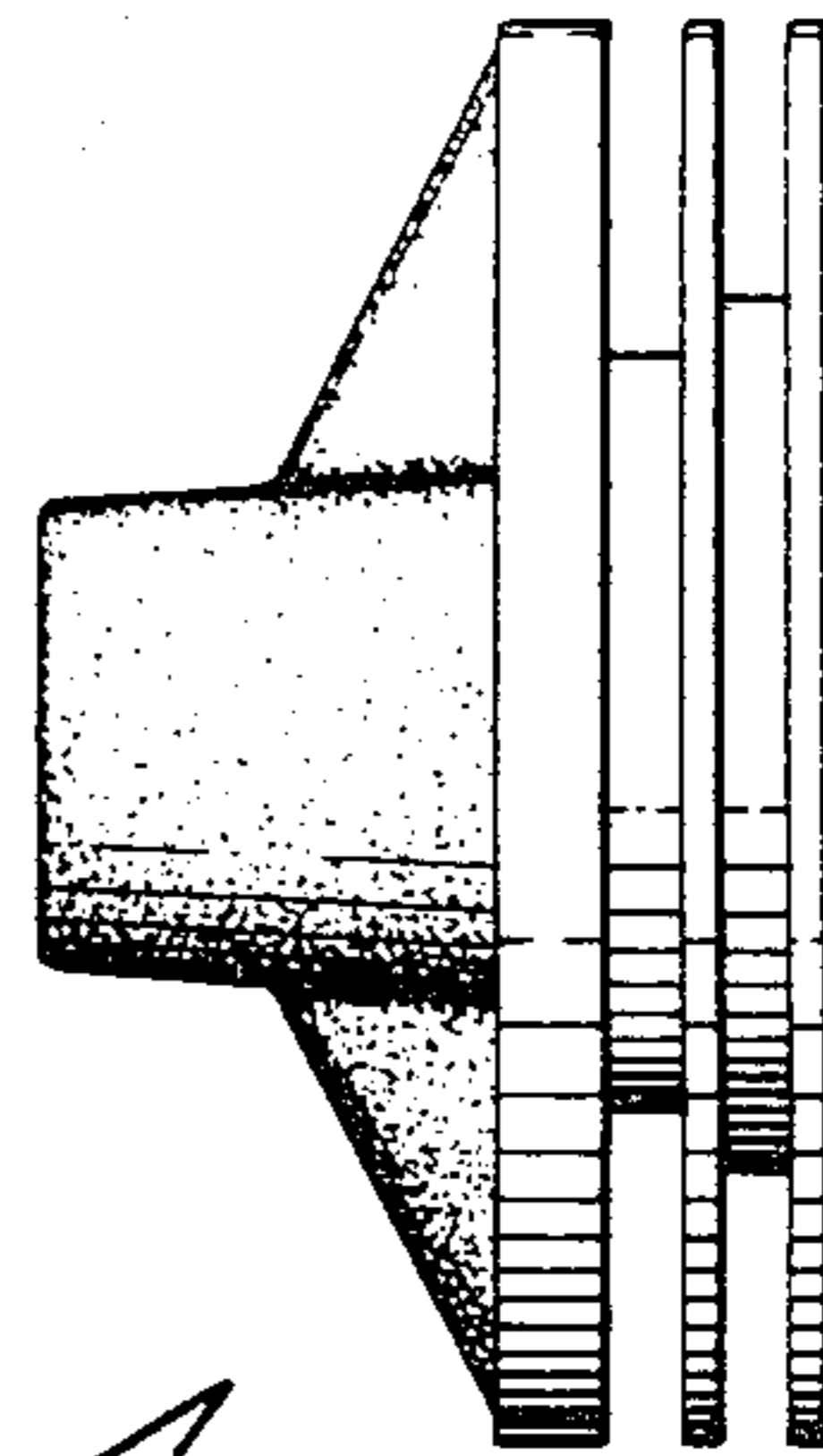
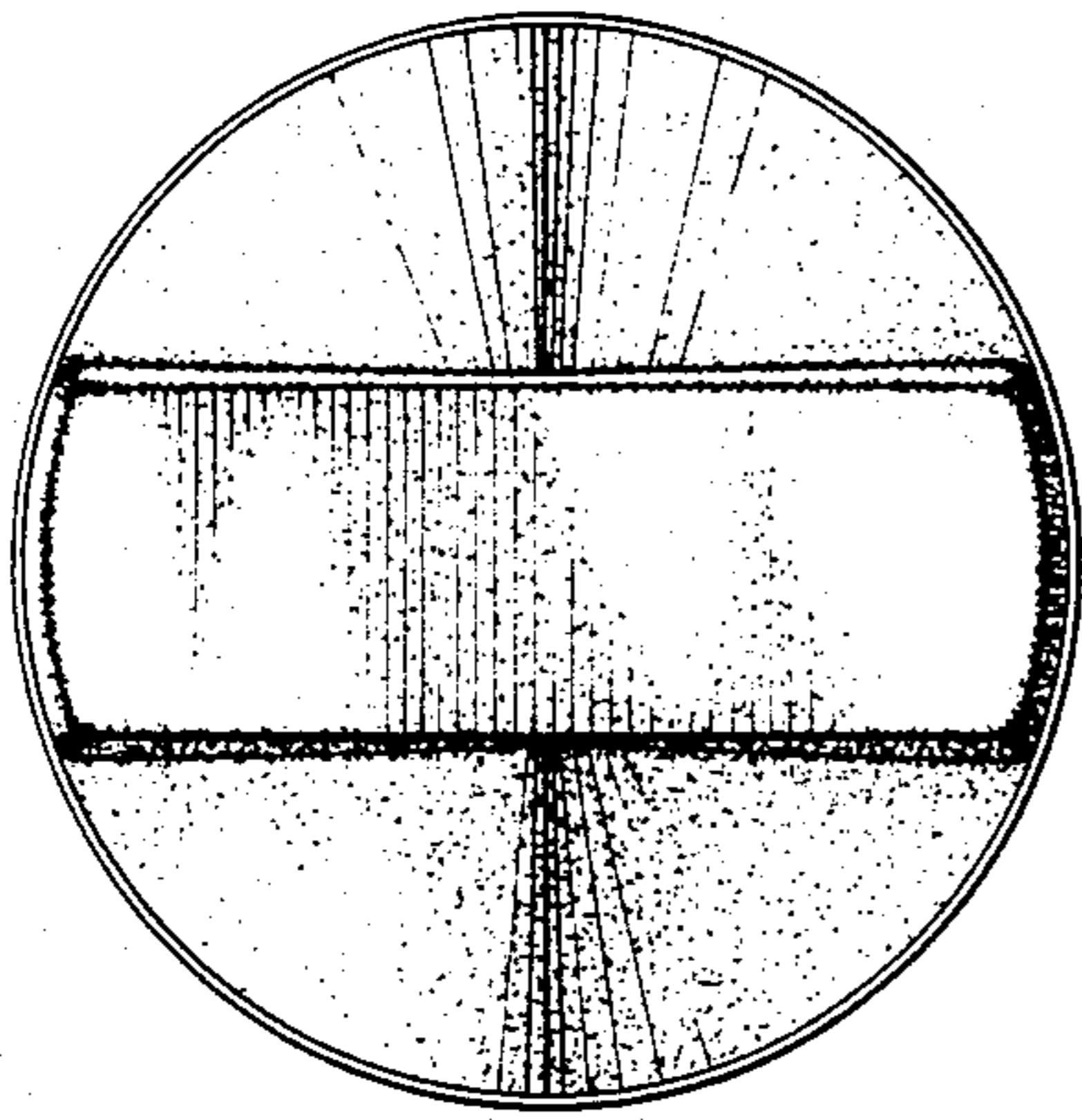


FIG. 4.