

[54] BICYCLE STAND

[76] Inventors: Robert M. Collison, 11621 NE. Fargo St., Portland, Oreg. 97220; John V. Myers, 9950 SW. Riverwood La., Tigard, Oreg. 97223

[**] Term: 14 Years

[21] Appl. No.: 406,394

[22] Filed: Aug. 9, 1982

[52] U.S. Cl. D12/115

[58] Field of Search D12/115; 211/20, 22, 211/17

[56] References Cited

U.S. PATENT DOCUMENTS

3,820,662	6/1974	Steers	211/2
4,050,583	9/1977	Szabo	211/2
4,306,660	12/1981	Livingston	211/2

Primary Examiner—James M. Gandy
Attorney, Agent, or Firm—Lee R. Schermerhorn

[57] CLAIM

The ornamental design for a bicycle stand, substantiall as shown and described.

DESCRIPTION

FIG. 1 is a perspective view of a bicycle stand showin our new design.

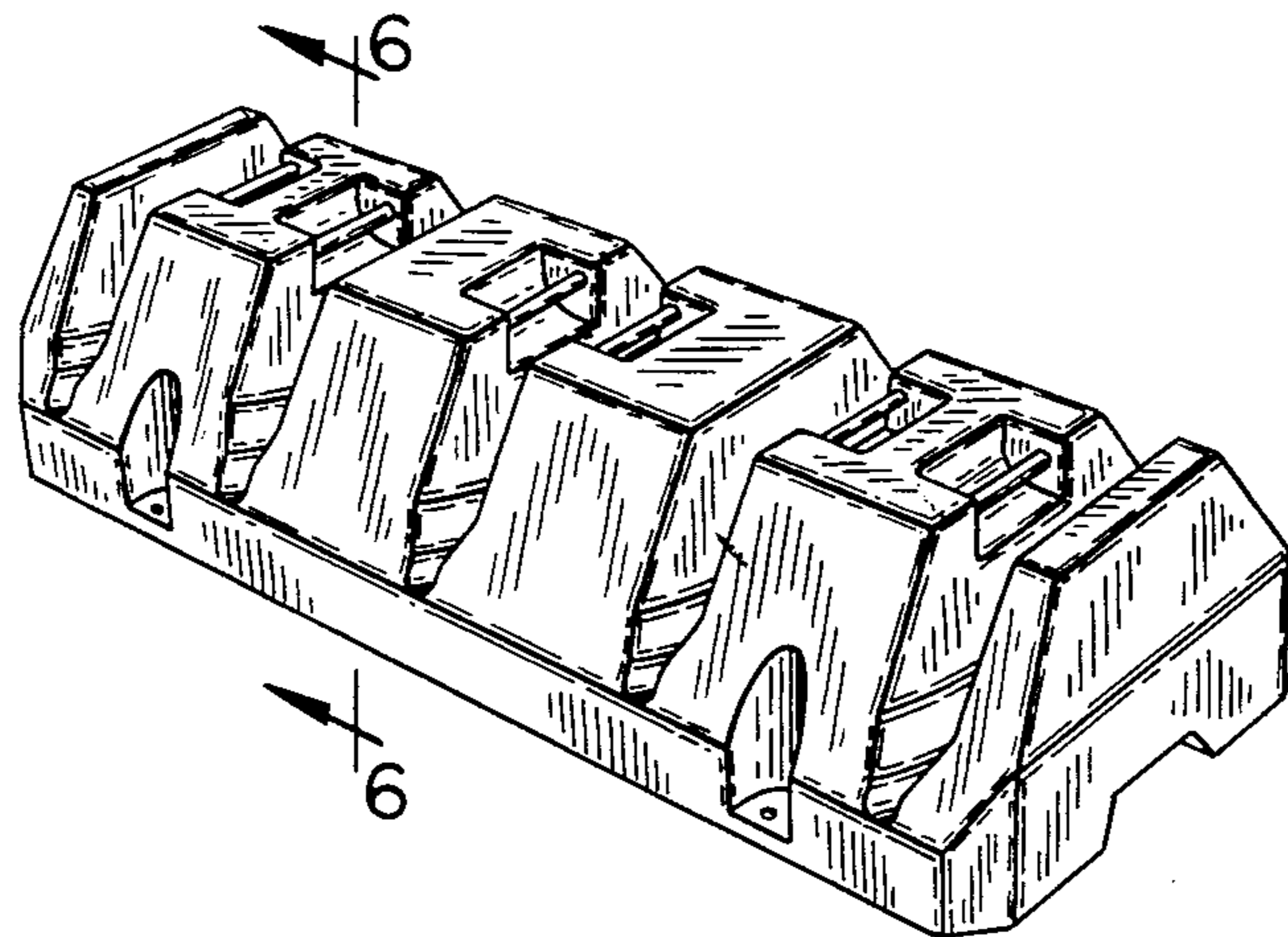
FIG. 2 is an end elevation view.

FIG. 3 is a side elevation view.

FIG. 4 is a top plan view.

FIG. 5 is a bottom plan view.

FIG. 6 is a sectional view on the line 6—6 in FIG. 1.



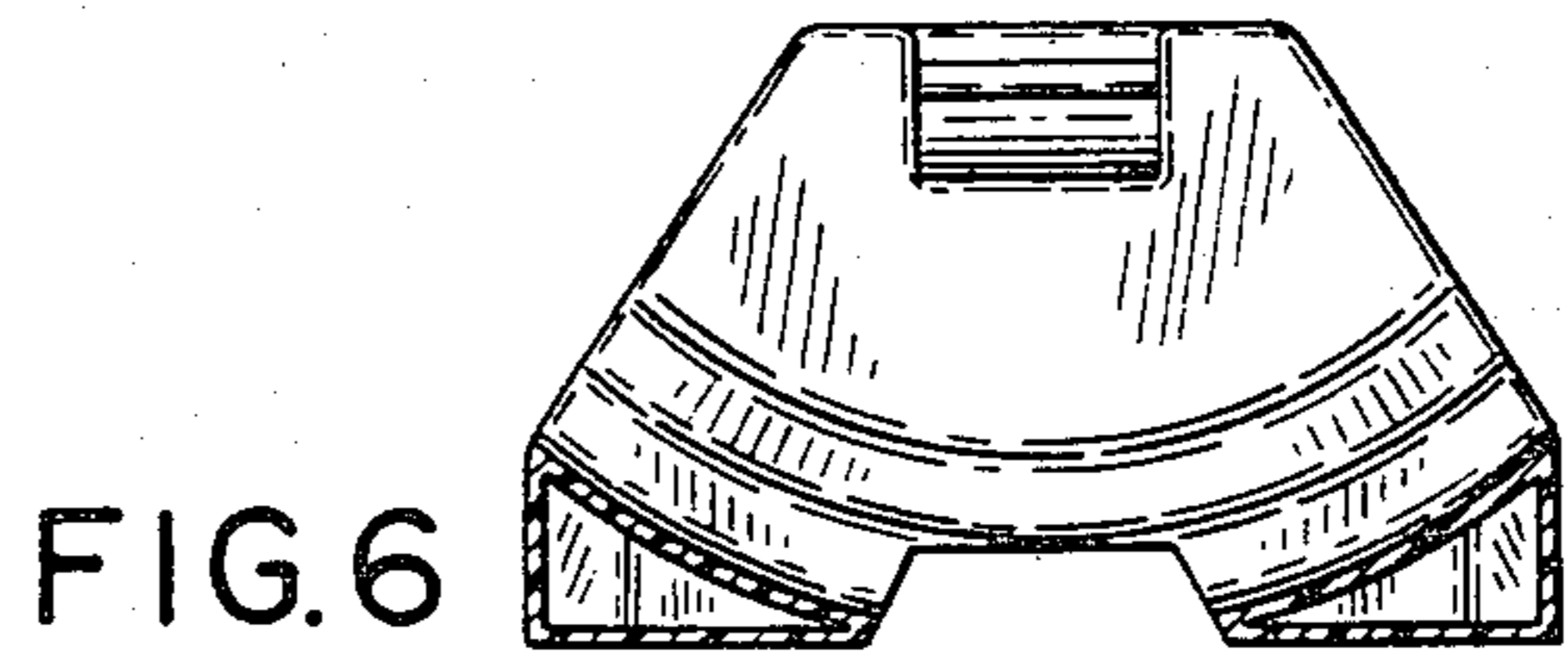
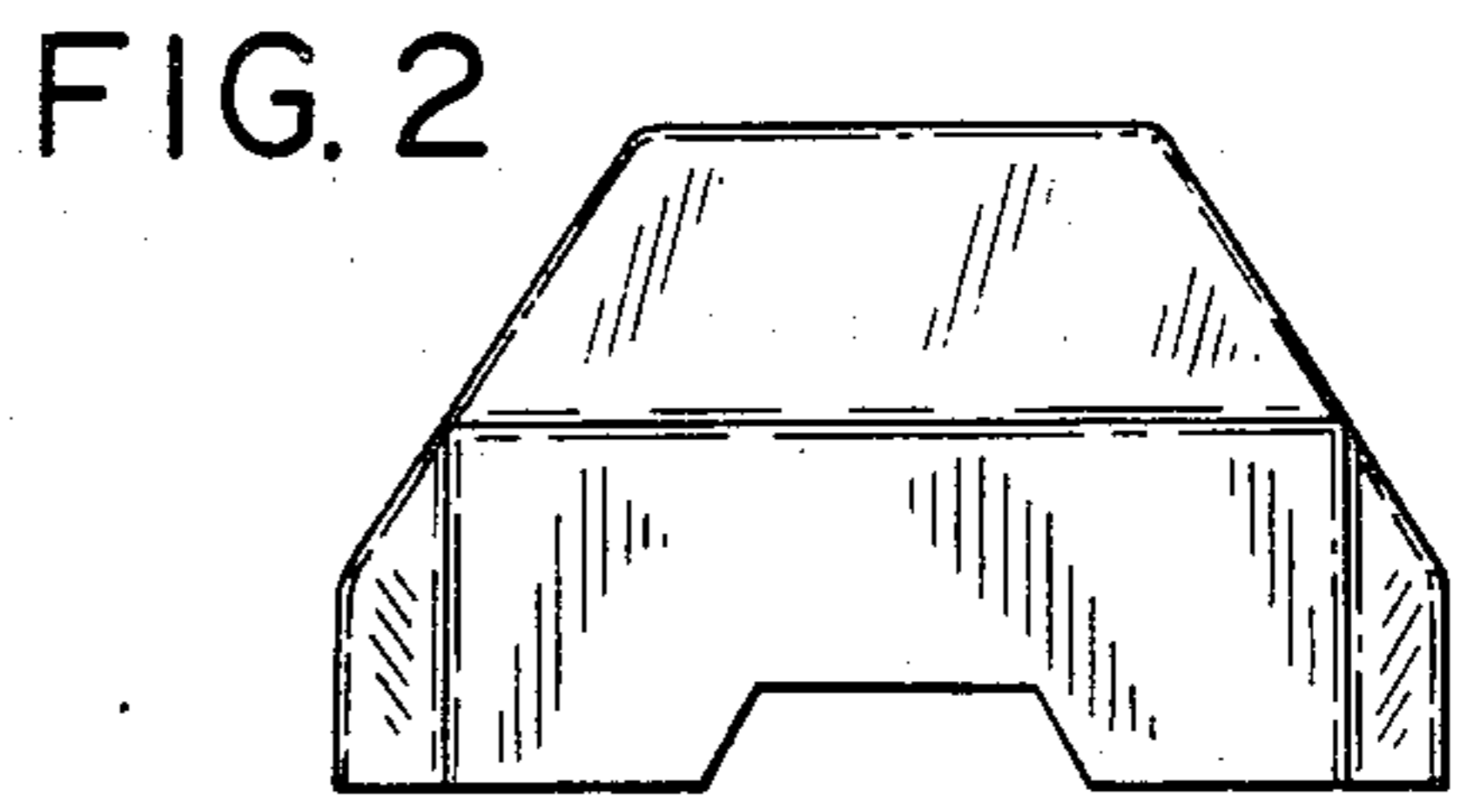
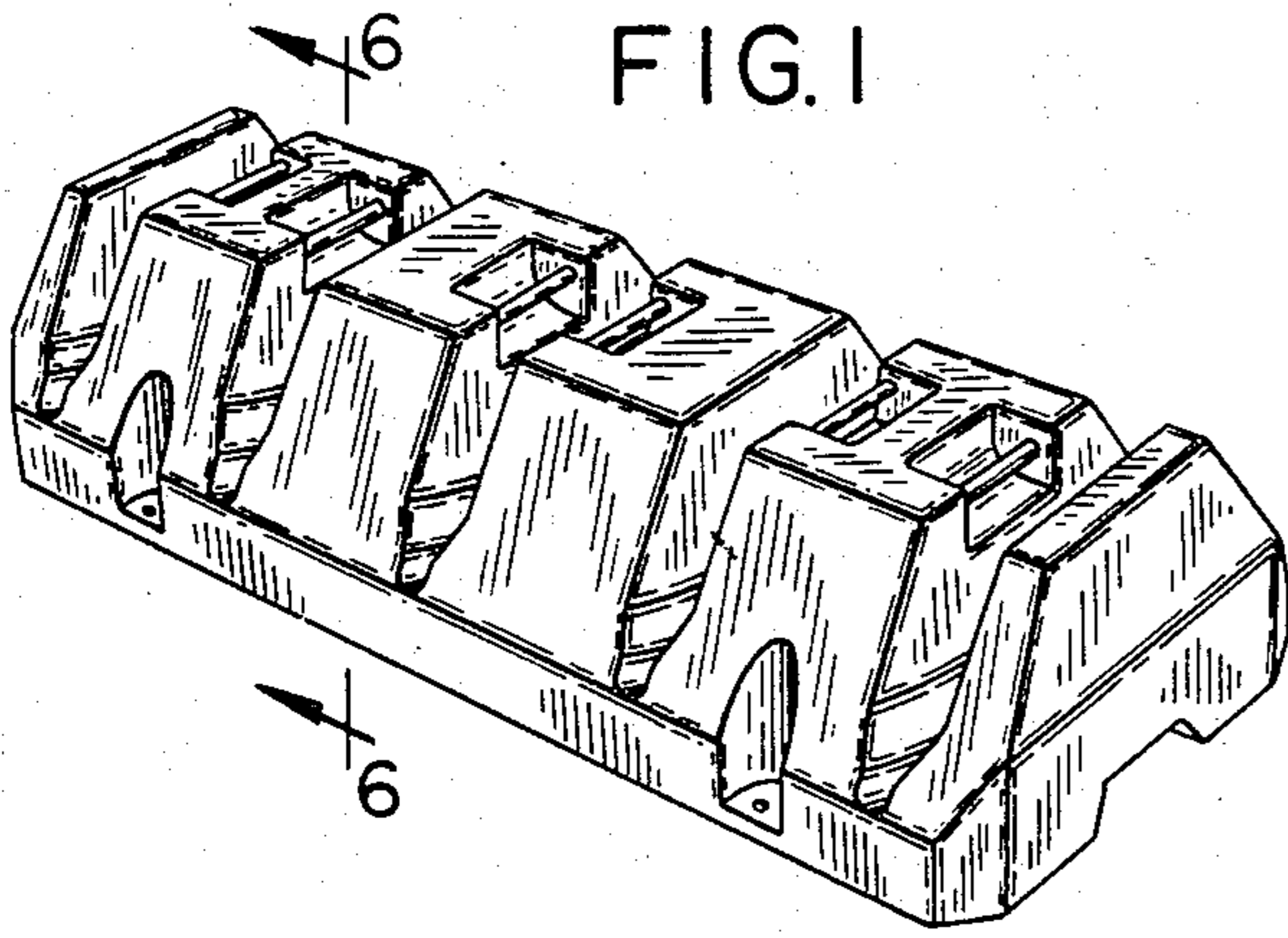


FIG. 3

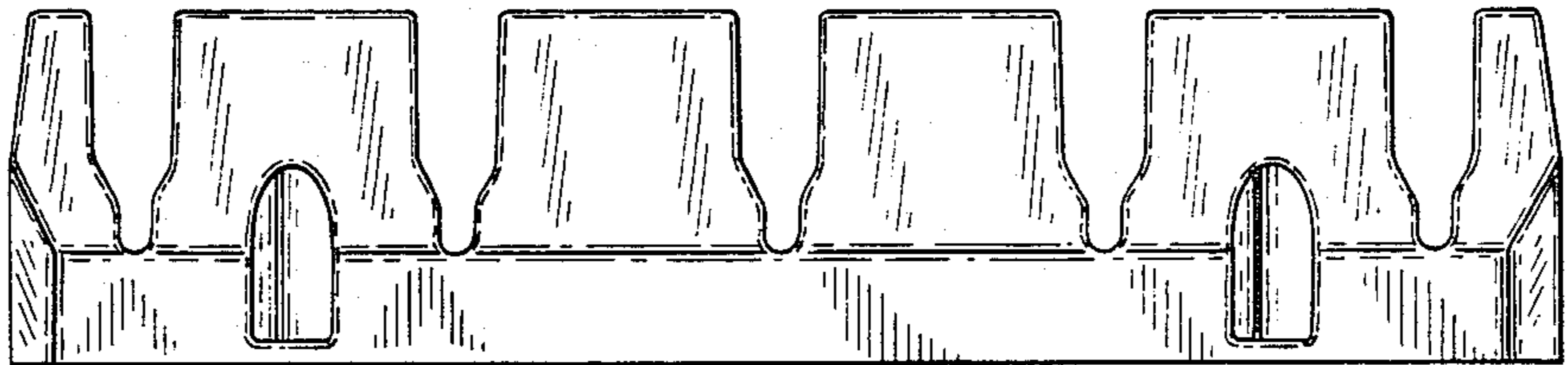


FIG. 4

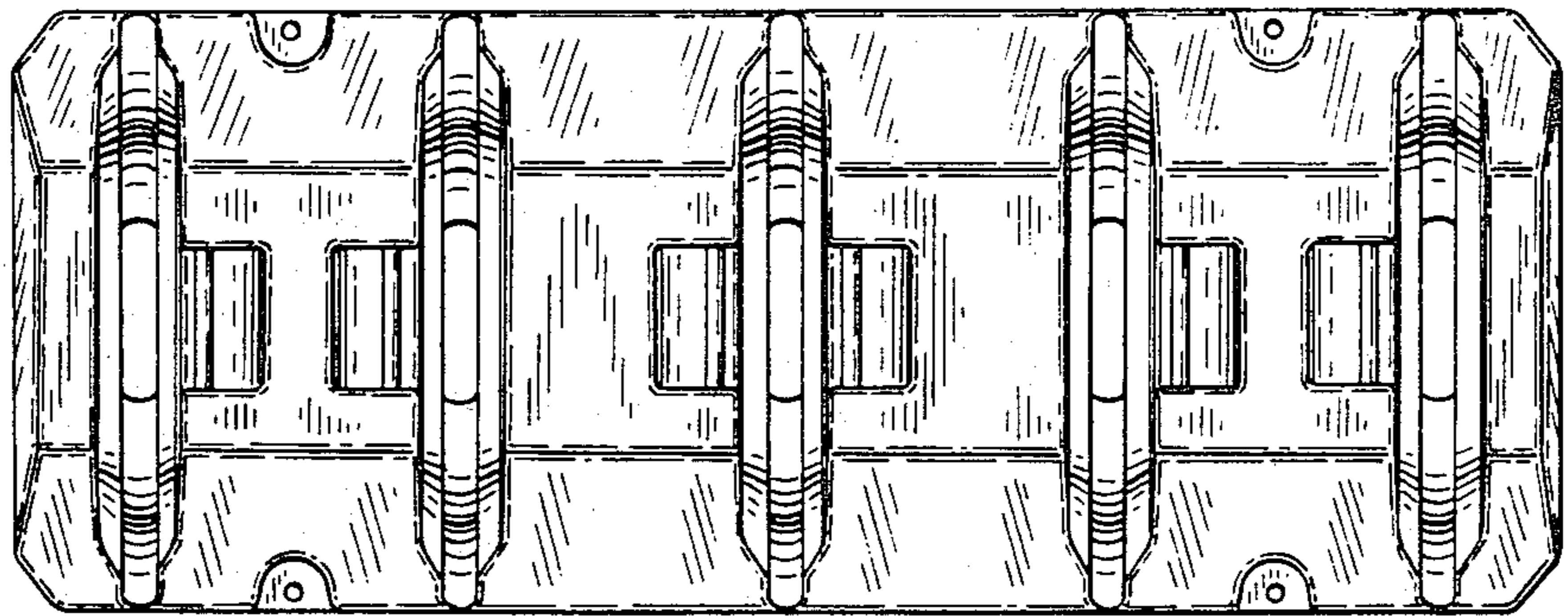


FIG. 5

