

[54] TRAILER FOR A THREE-WHEEL CYCLE OR THE LIKE

[75] Inventors: Denny B. Law, San Marcos; Bernhardt P. Goettker, Escondido, both of Calif.

[73] Assignee: Unique Functional Products, San Marcos, Calif.

[**] Term: 14 Years

[21] Appl. No.: 369,518

[22] Filed: Apr. 19, 1982

[52] U.S. Cl. D12/101

[58] Field of Search D12/101; 280/400, 414.1, 280/789, 800, 656; 414/495, 537

[56] References Cited

U.S. PATENT DOCUMENTS

D. 269,961	8/1983	Law	D12/101
3,025,985	3/1962	Crawford	280/414.1
3,713,553	1/1973	Curtis et al.	414/537
4,334,677	6/1982	Tata	D12/101

Primary Examiner—James M. Gandy
Attorney, Agent, or Firm—Duane C. Bowen

[57] CLAIM

The ornamental design for a trailer for a three-wheel cycle or the like, as shown.

DESCRIPTION

FIG. 1 is a perspective view of a trailer for a three-wheel cycle or the like showing my new design; FIG. 2 is a top plan view thereof; FIG. 3 is a side elevational view thereof; FIG. 4 is a front end elevational view thereof; FIG. 5 is a rear end elevational view thereof; and FIG. 6 is a bottom plan view thereof.

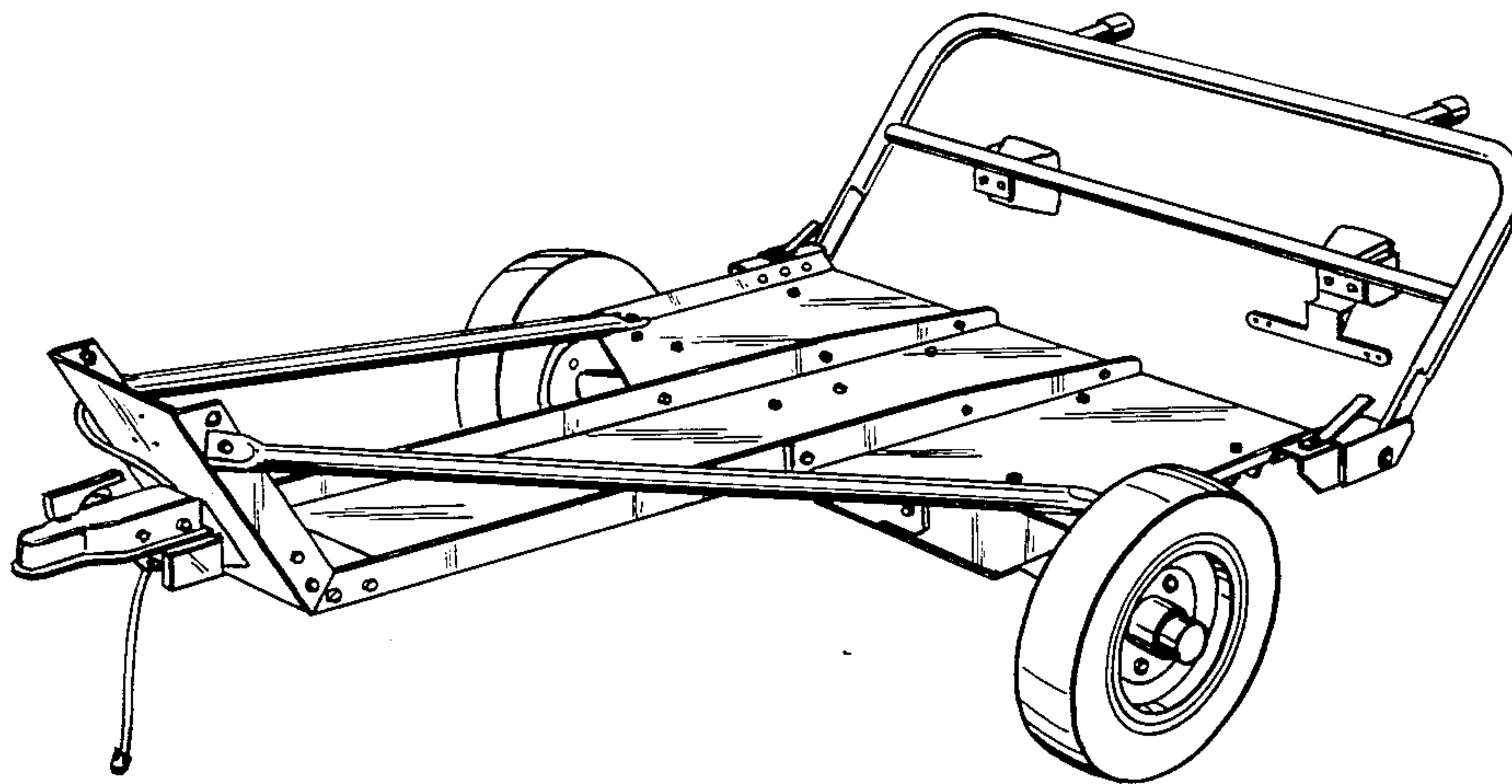


Fig. 1

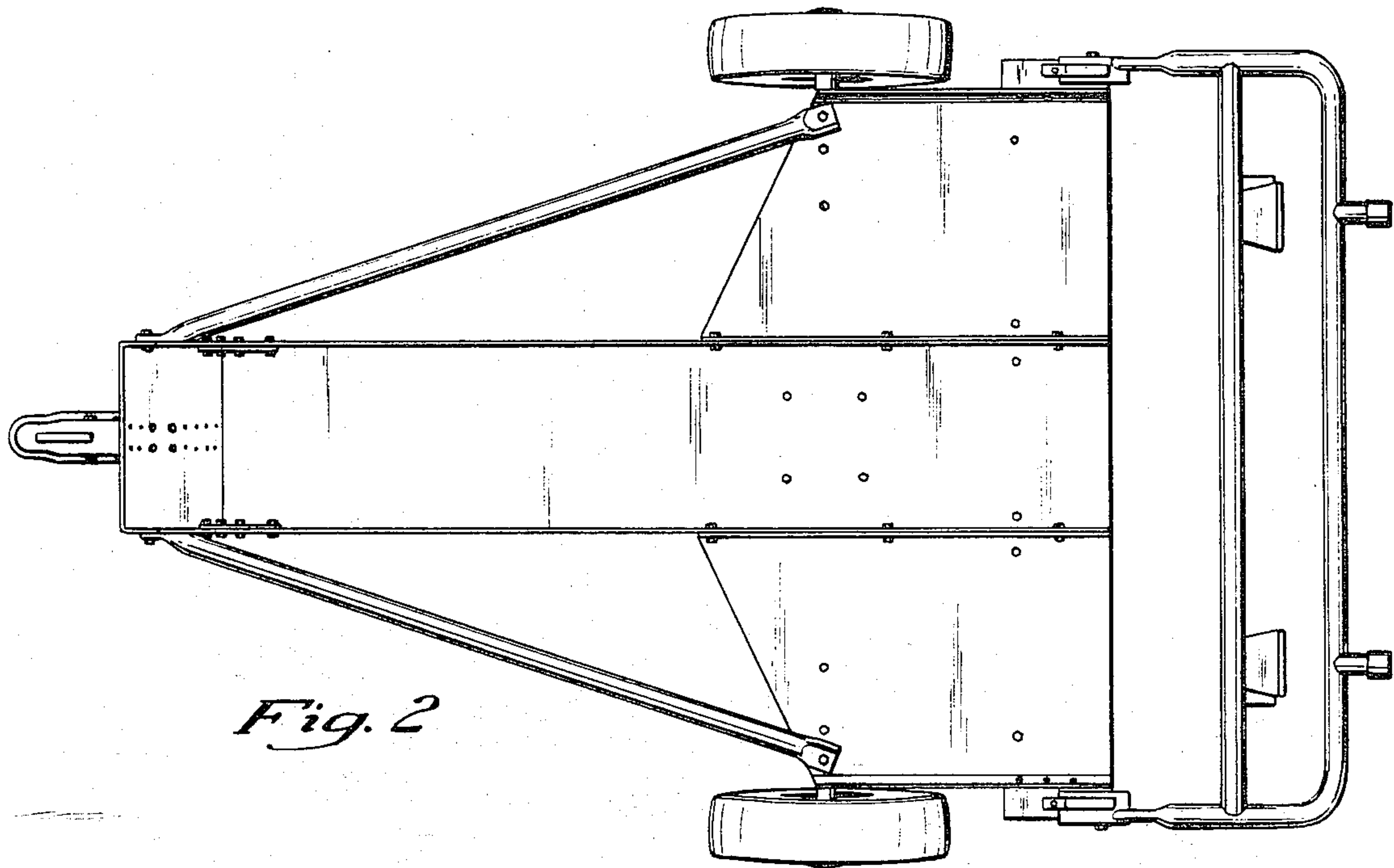
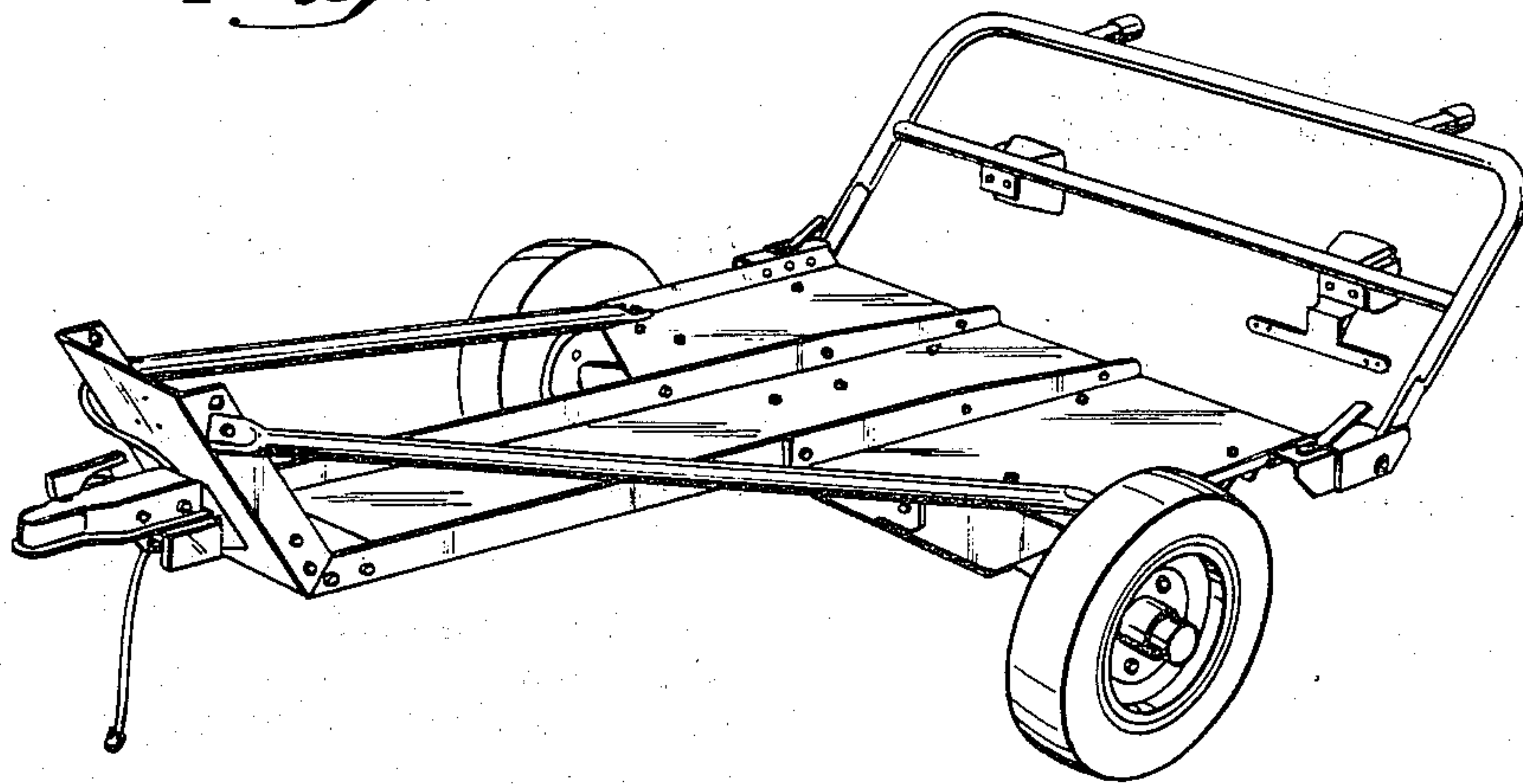


Fig. 2

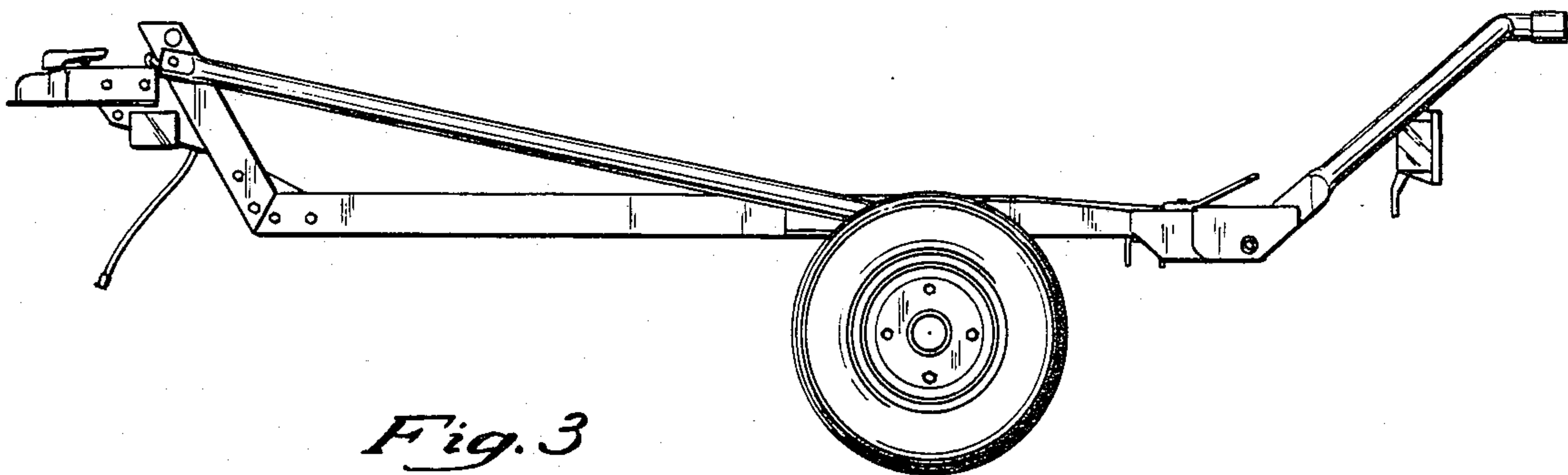


Fig. 3

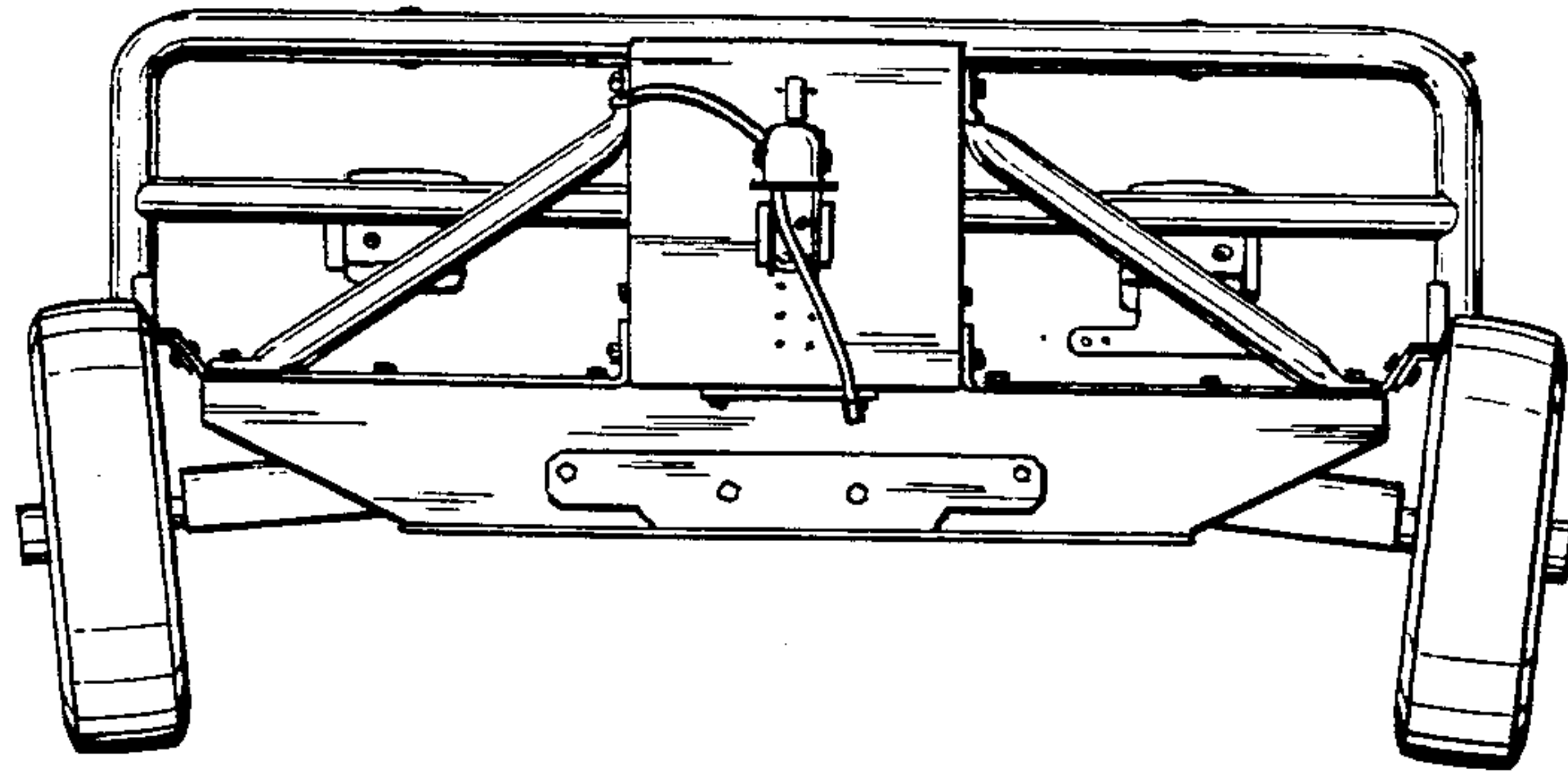


Fig. 4

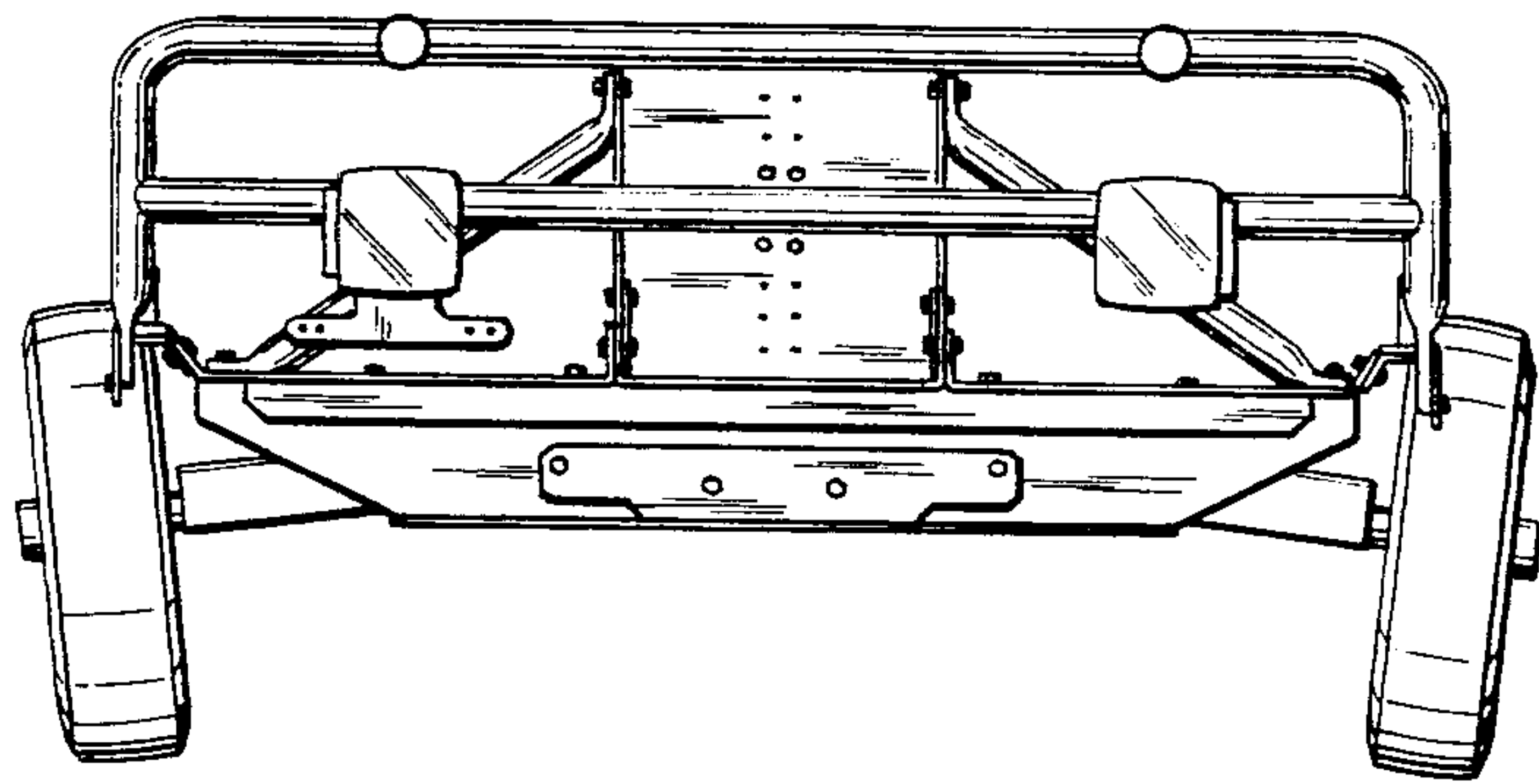


Fig. 5

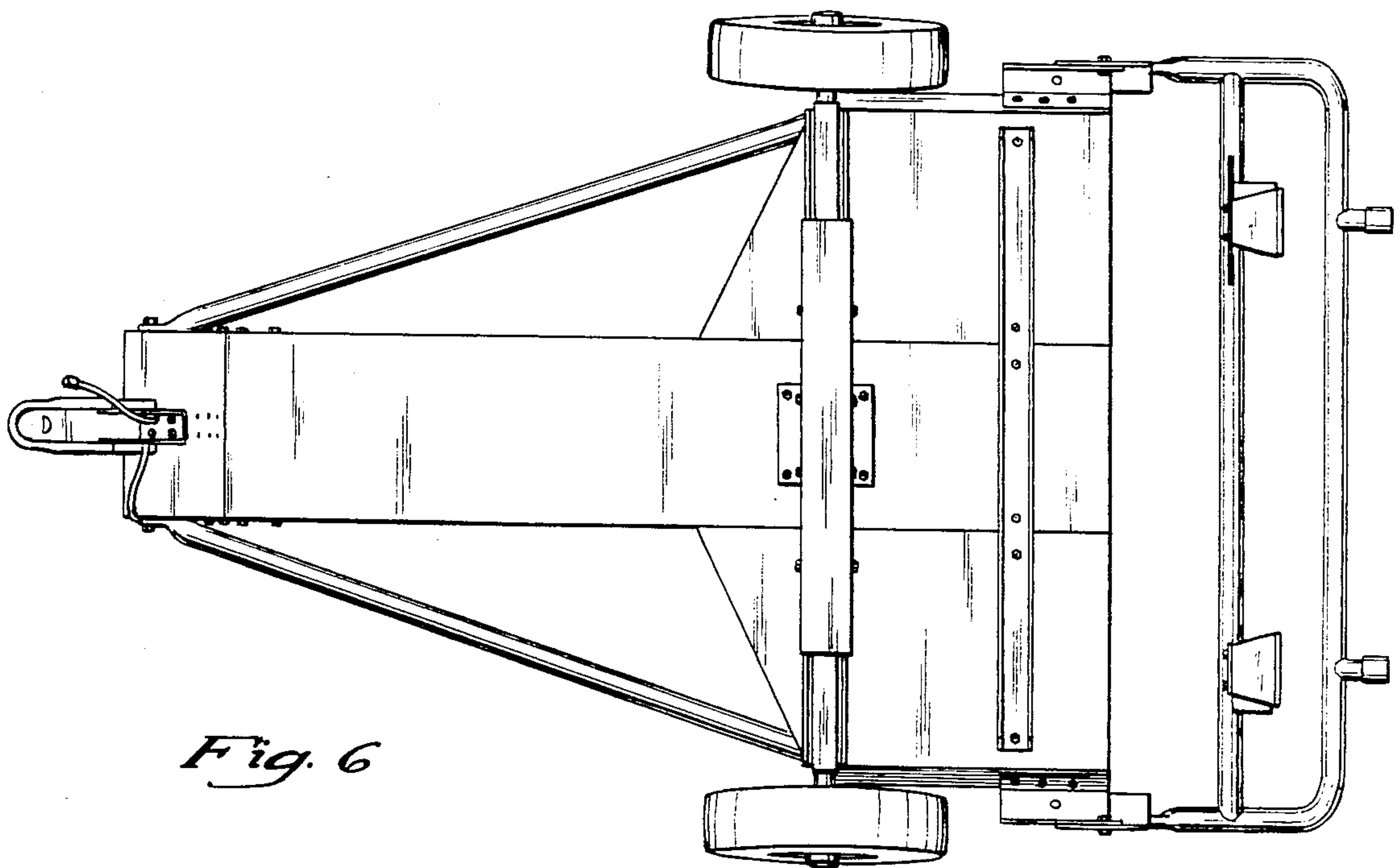


Fig. 6

UNITED STATES PATENT AND TRADEMARK OFFICE

Certificate

Patent No. D-278,615

Patented April 30, 1985

On petition requesting issuance of a certificate for correction of inventorship pursuant to 35 USC 256, it has been found that the above-identified patent, through error and without any deceptive intent, improperly sets forth the inventorship. Accordingly, it is hereby certified that the correct inventorship of this patent is Denny B. Law and Bernhardt P. Goettker.

Signed and Sealed this twenty-first Day of October, 1986.

BRADLEY R. GARRIS,
*Office of the Deputy Assistant
Commissioner for Patents.*