

[54] **PLANTER**

2,153,492 4/1939 Workman ..... 52/73  
3,760,534 9/1973 Choux et al. .... 47/39

[76] **Inventor: Kenneth D. Einsel, 903 N. Saint Joseph Ave., Hastings, Nebr. 68901**

*Primary Examiner*—B. J. Bullock  
*Attorney, Agent, or Firm*—George R. Nimmer

[\*\*] **Term: 14 Years**

[21] **Appl. No.: 448,596**

[57] **CLAIM**

[22] **Filed: Dec. 10, 1982**

The ornamental design for a planter, as shown and described.

**Related U.S. Application Data**

**DESCRIPTION**

[63] Continuation-in-part of Ser. No. 239,638, Mar. 2, 1981, abandoned.

FIG. 1 is a perspective view of a planter showing my new design;

[52] **U.S. Cl. .... D11/152**

FIG. 2 is a top plan view thereof;

[58] **Field of Search .... D11/143, 152, 153; 47/39; 52/65, 73**

FIG. 3 is a side elevational view thereof, all sides being identical;

FIG. 4 is a bottom plan view thereof;

[56] **References Cited**

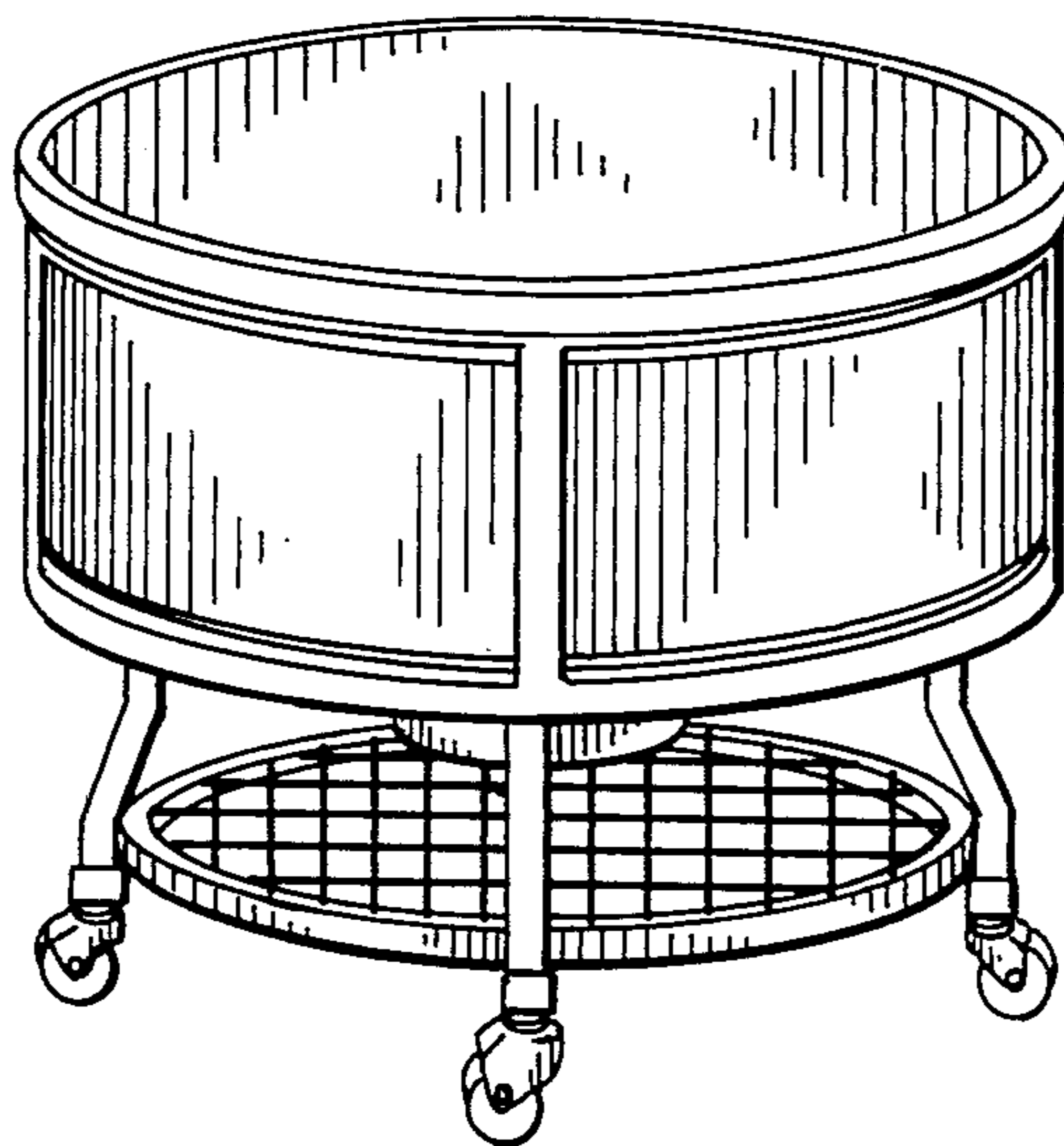
FIG. 5 is a perspective view of a second embodiment of the design of FIG. 1, the only difference being an increase in diameter;

**U.S. PATENT DOCUMENTS**

D. 236,569 9/1975 Kramer ..... D6/182  
1,474,753 11/1923 Zrebic ..... 47/39  
1,928,799 10/1933 Stevens ..... 47/39

FIG. 6 is a top plan view of FIG. 5;

FIG. 7 is a side elevational view of FIG. 5, all sides being identical.



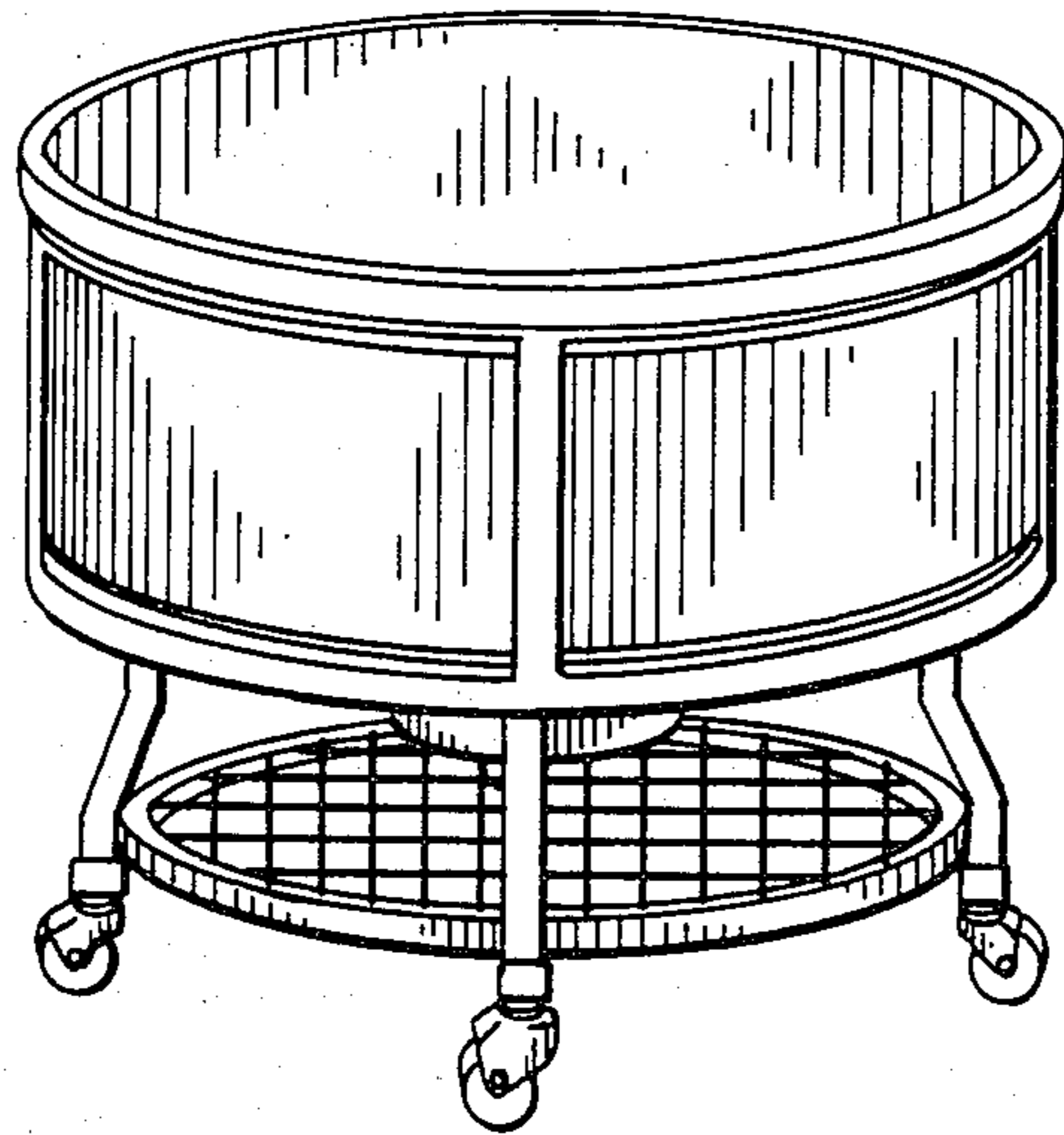


FIG. 1

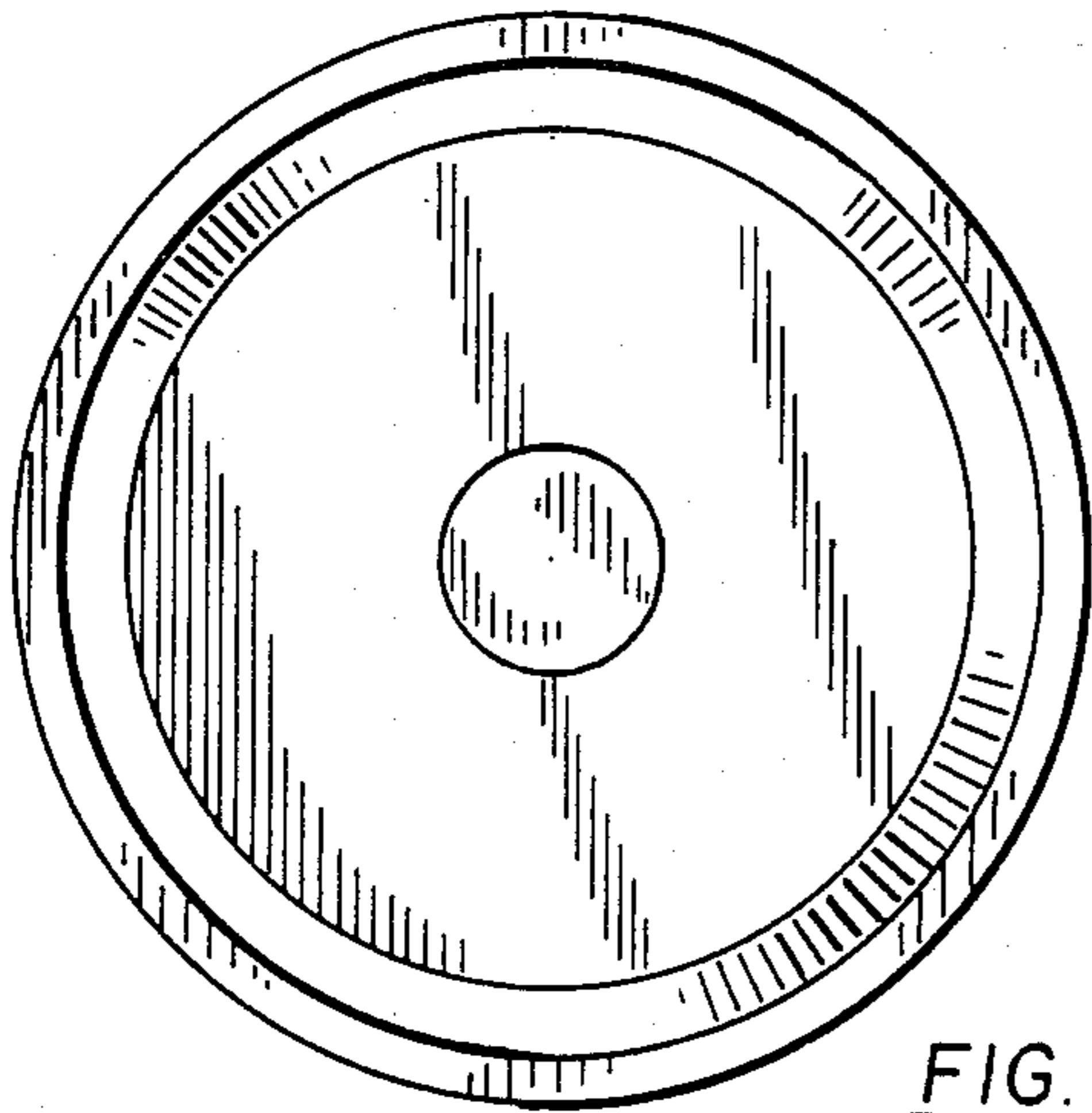


FIG. 2

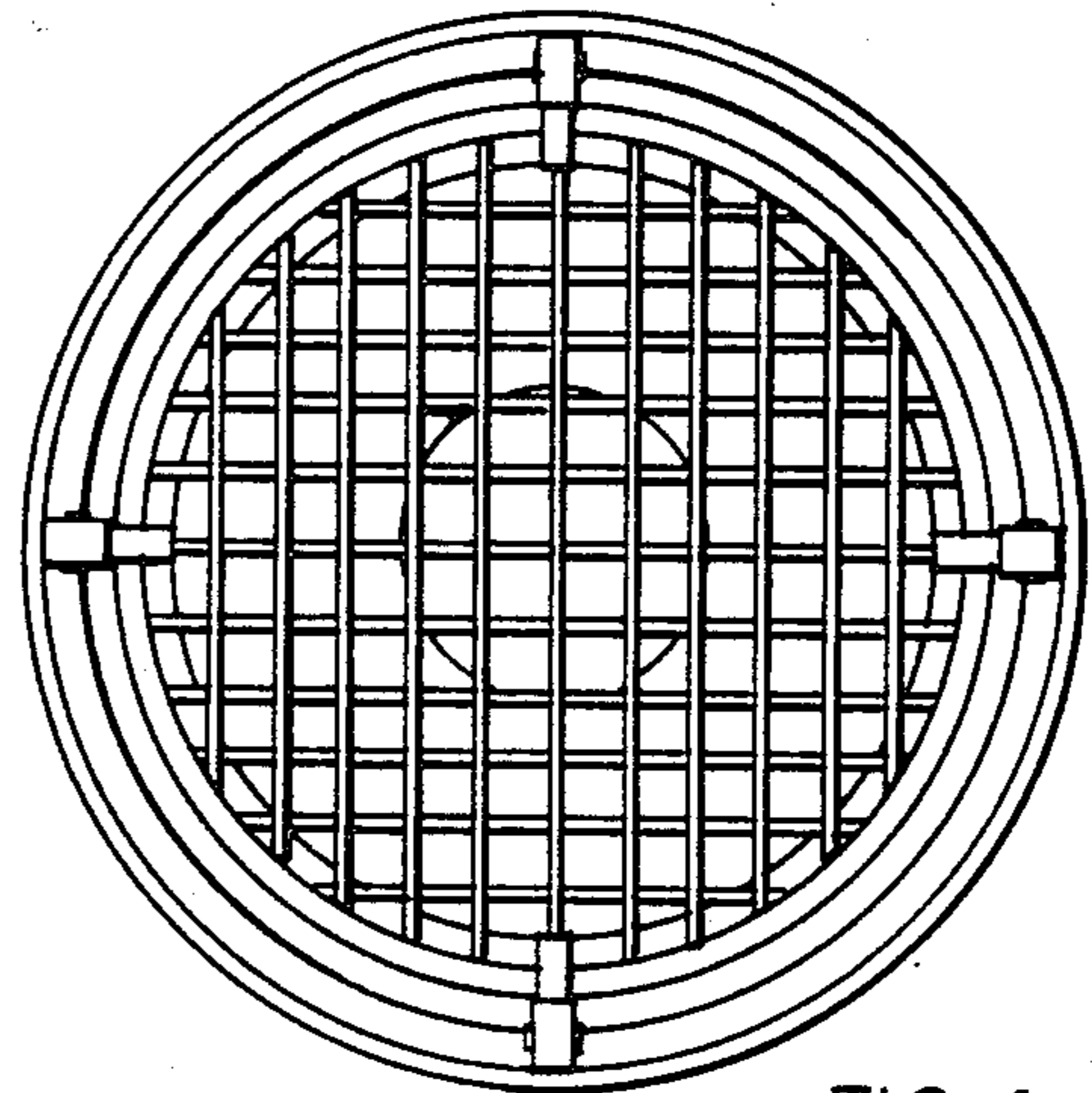


FIG. 4

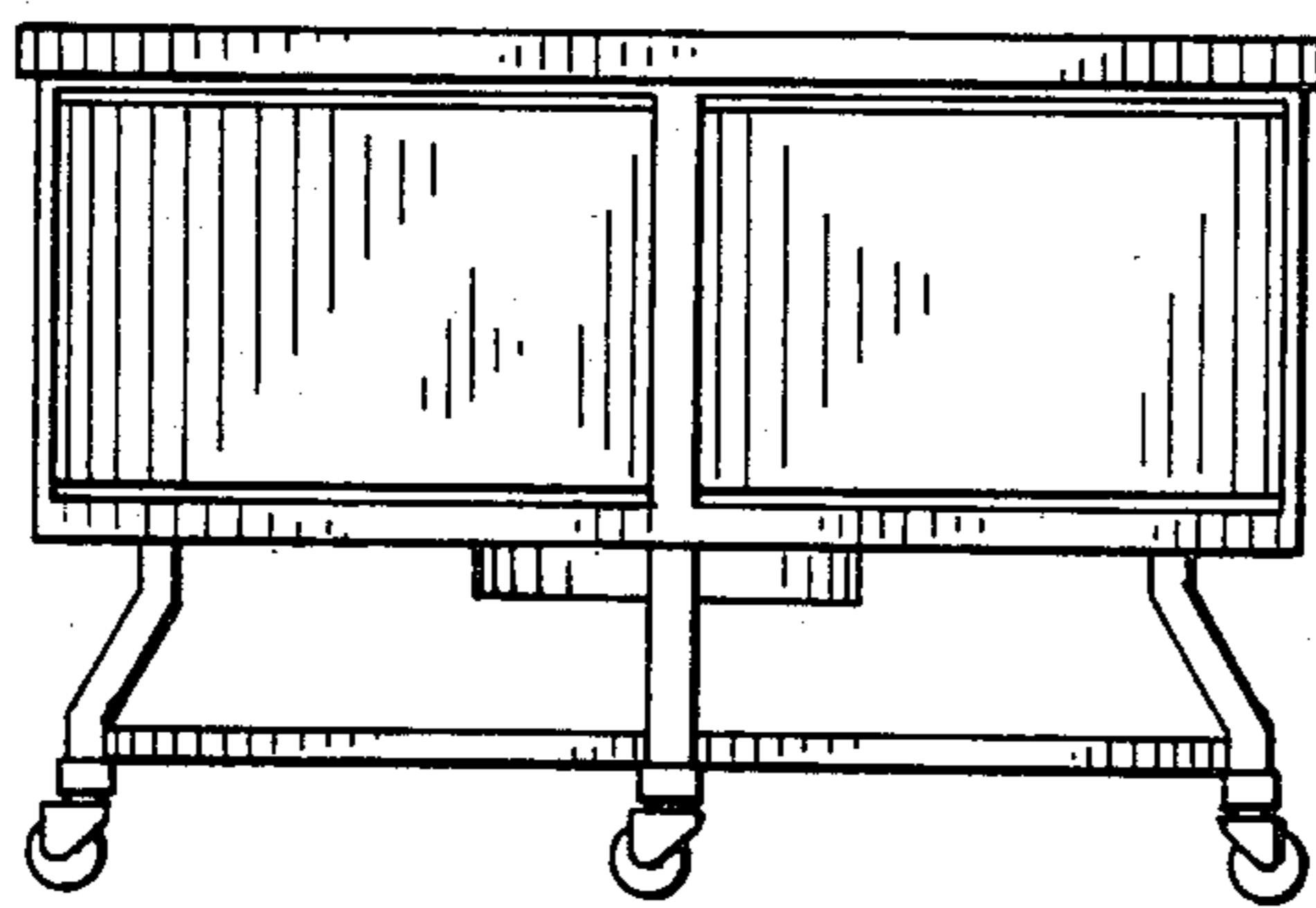


FIG. 3

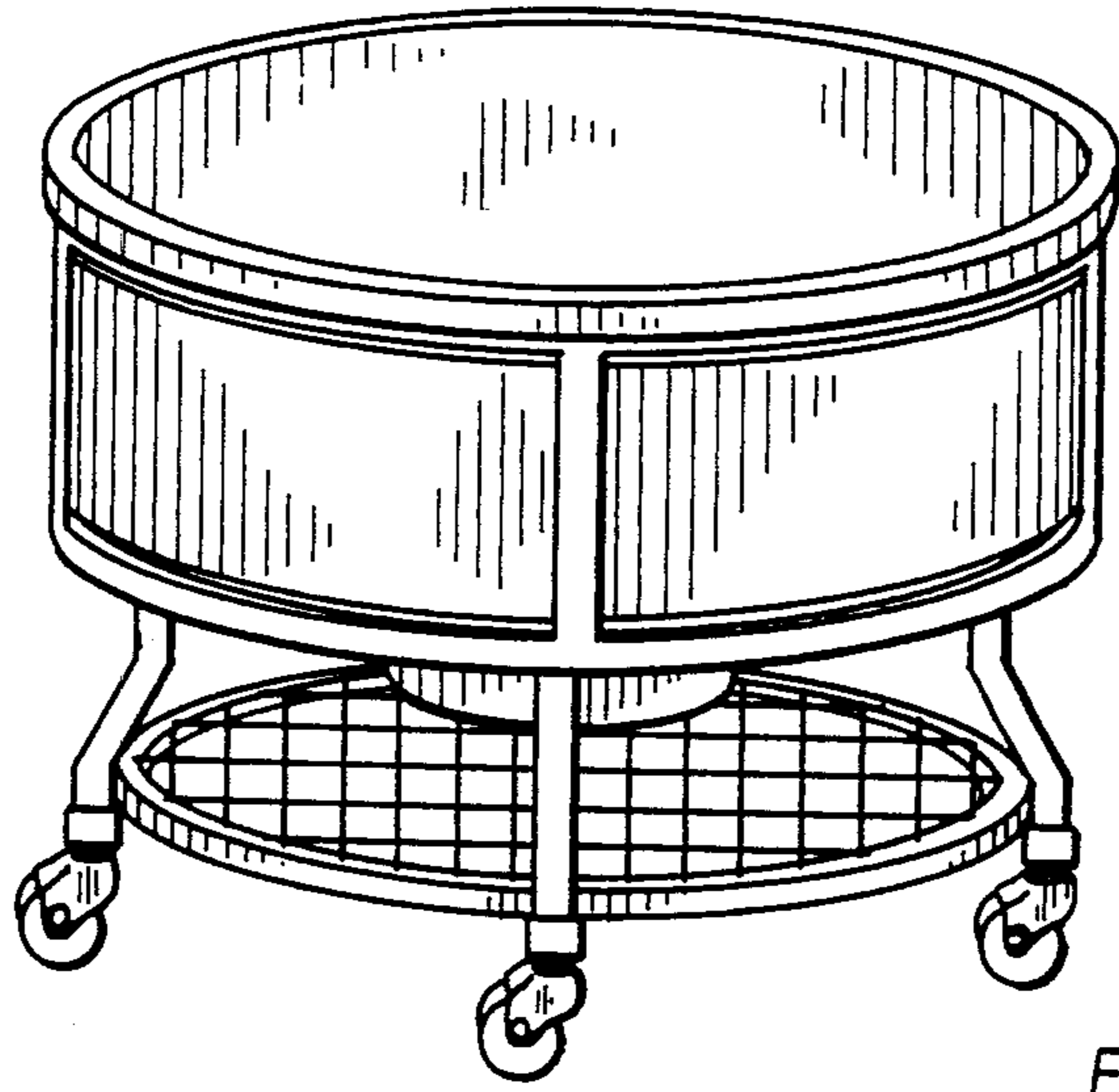


FIG. 5

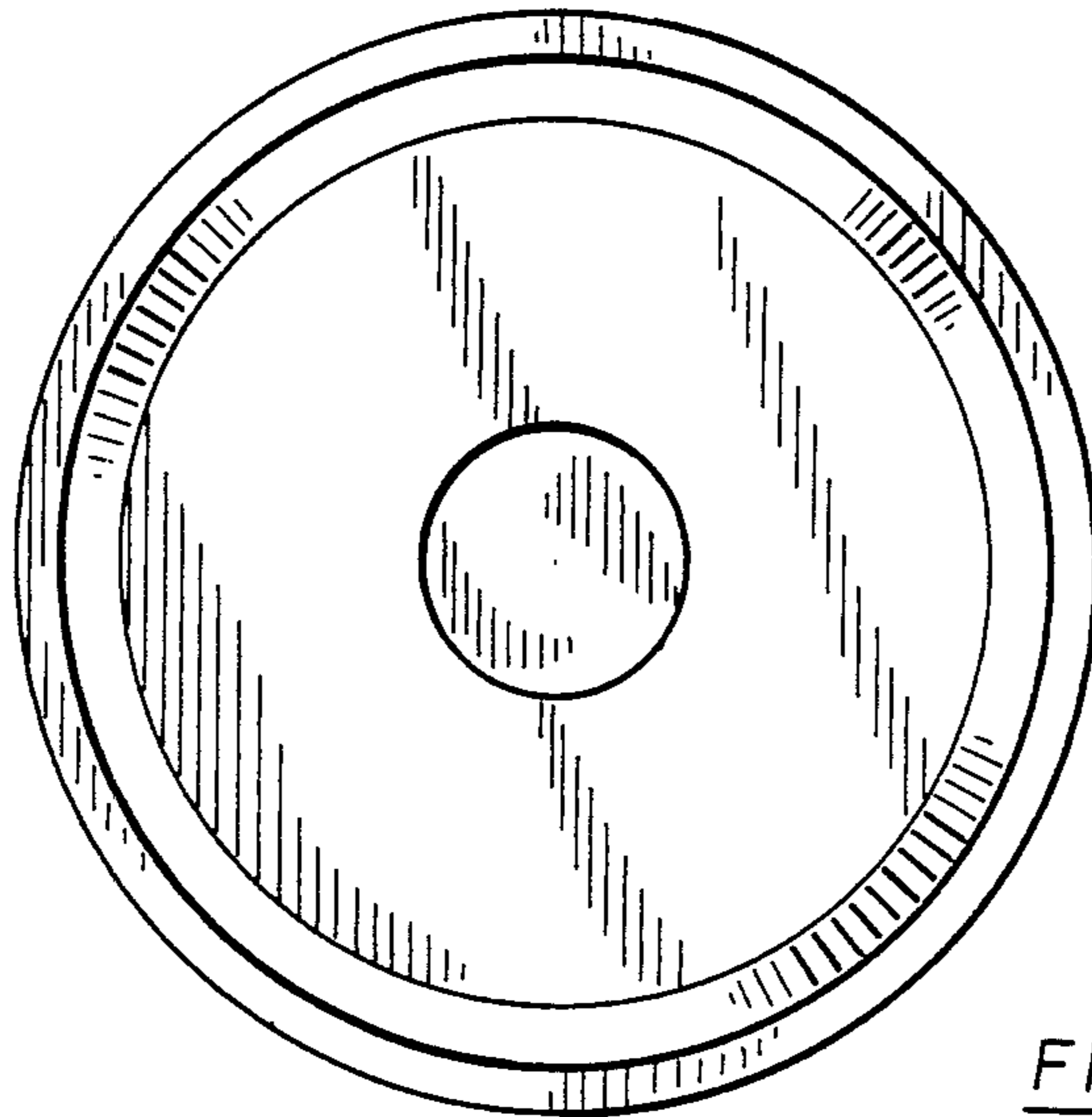


FIG. 6

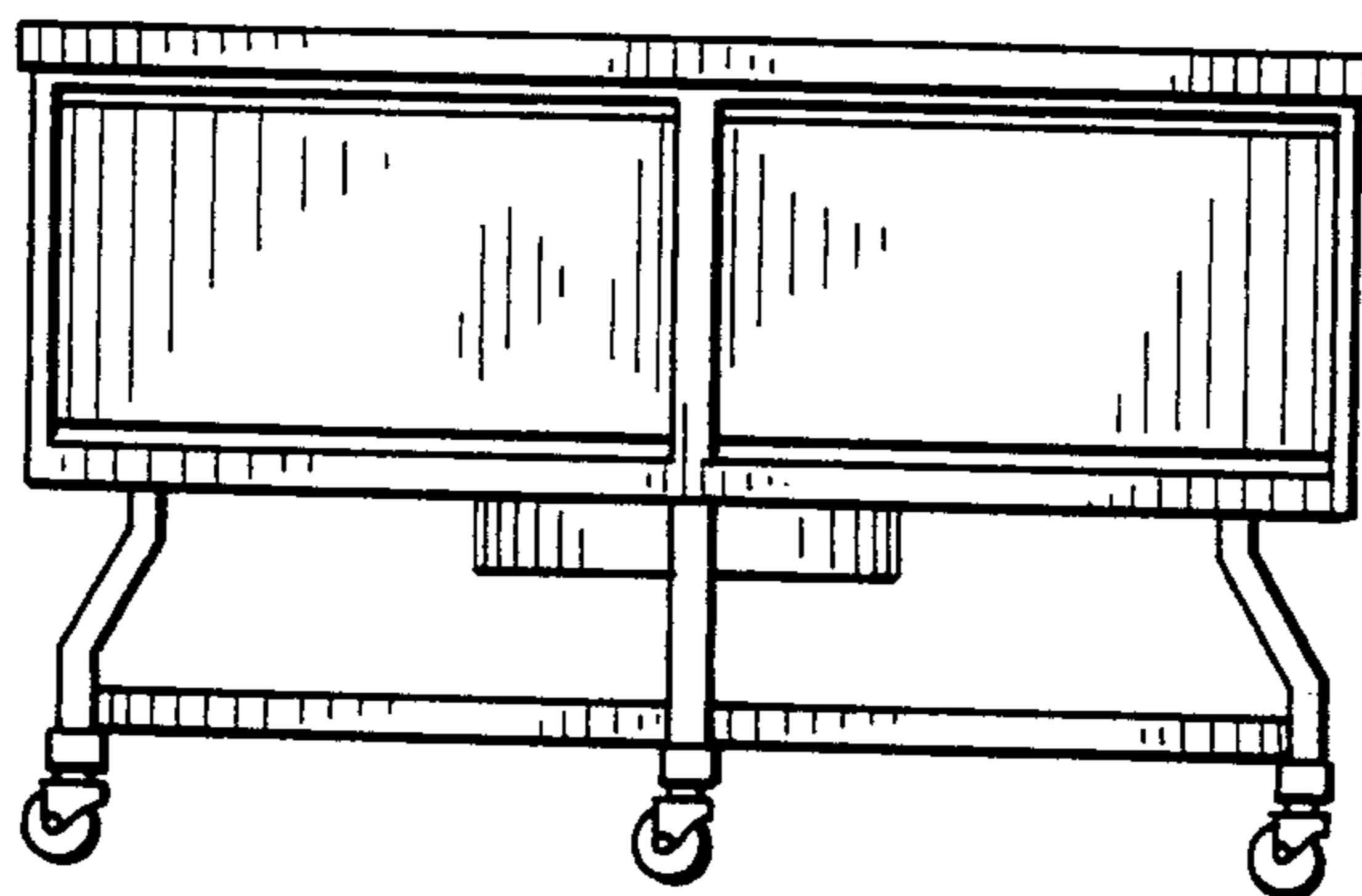


FIG. 7