

[54] **PACKAGING CONTAINER**

[75] Inventor: **Vincent E. Fortuna**, Huntington Beach, Calif.

[73] Assignee: **Cosden Technology, Inc.**, Dallas, Tex.

[\*\*] Term: **14 Years**

[21] Appl. No.: **390,019**

[22] Filed: **Jun. 21, 1982**

[52] U.S. Cl. .... **D9/399**

[58] Field of Search ..... D9/349, 351, 350, 352, D9/355, 390, 399, 418, 424; 229/37 R, 21

[56] **References Cited**

**U.S. PATENT DOCUMENTS**

D. 151,729 11/1948 Baud ..... D9/352

D. 265,548 7/1982 Brundige et al. .... D9/352  
D. 267,702 1/1983 Swann ..... D9/424

*Primary Examiner*—Robert C. Spangler  
*Attorney, Agent, or Firm*—Michael J. Caddell

[57] **CLAIM**

The ornamental design for a packaging container, as shown and described.

**DESCRIPTION**

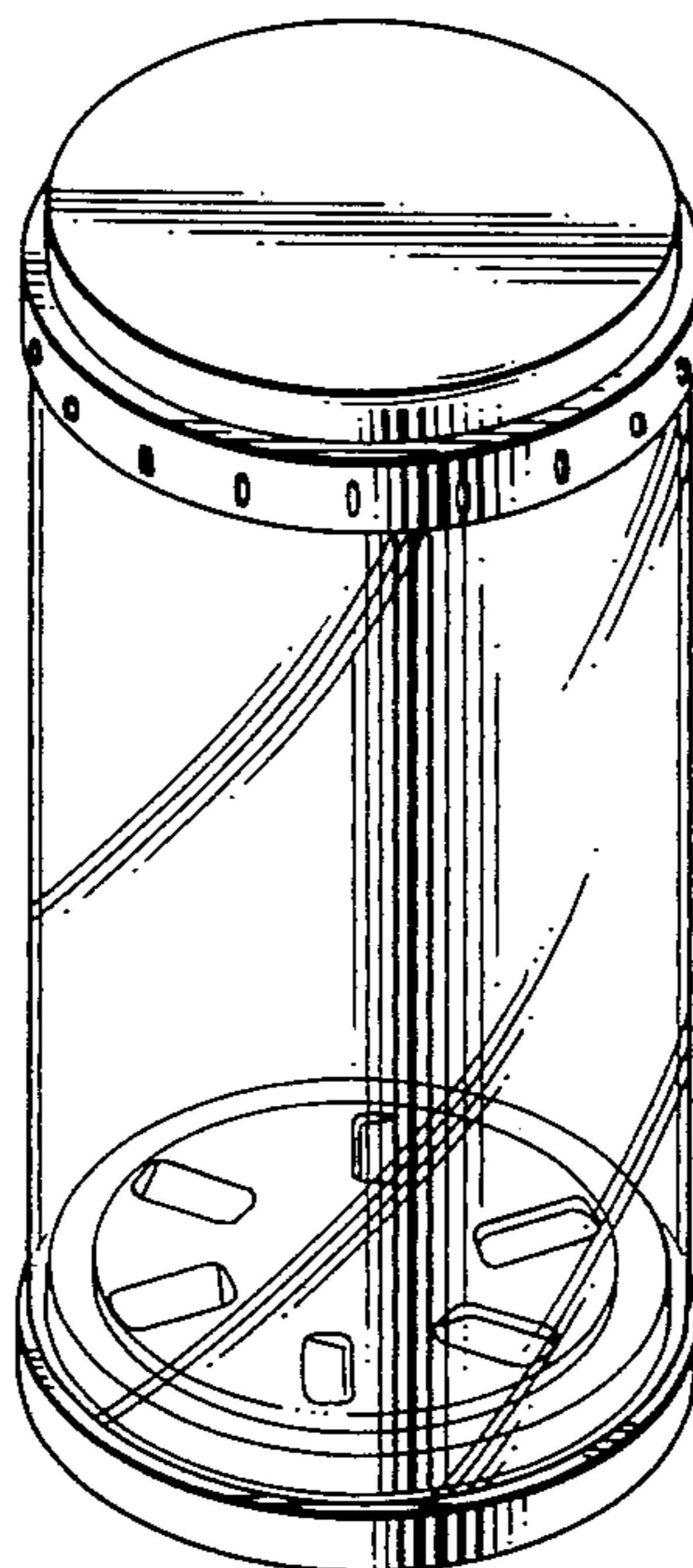
FIG. 1 is a perspective view of a packaging container showing my new design;

FIG. 2 is a view partly in section taken on the line 2—2 of FIG. 4;

FIG. 3 is an elevational view, the opposite side being the same in appearance;

FIG. 4 is a top plan view; and

FIG. 5 is a bottom plan view thereof.



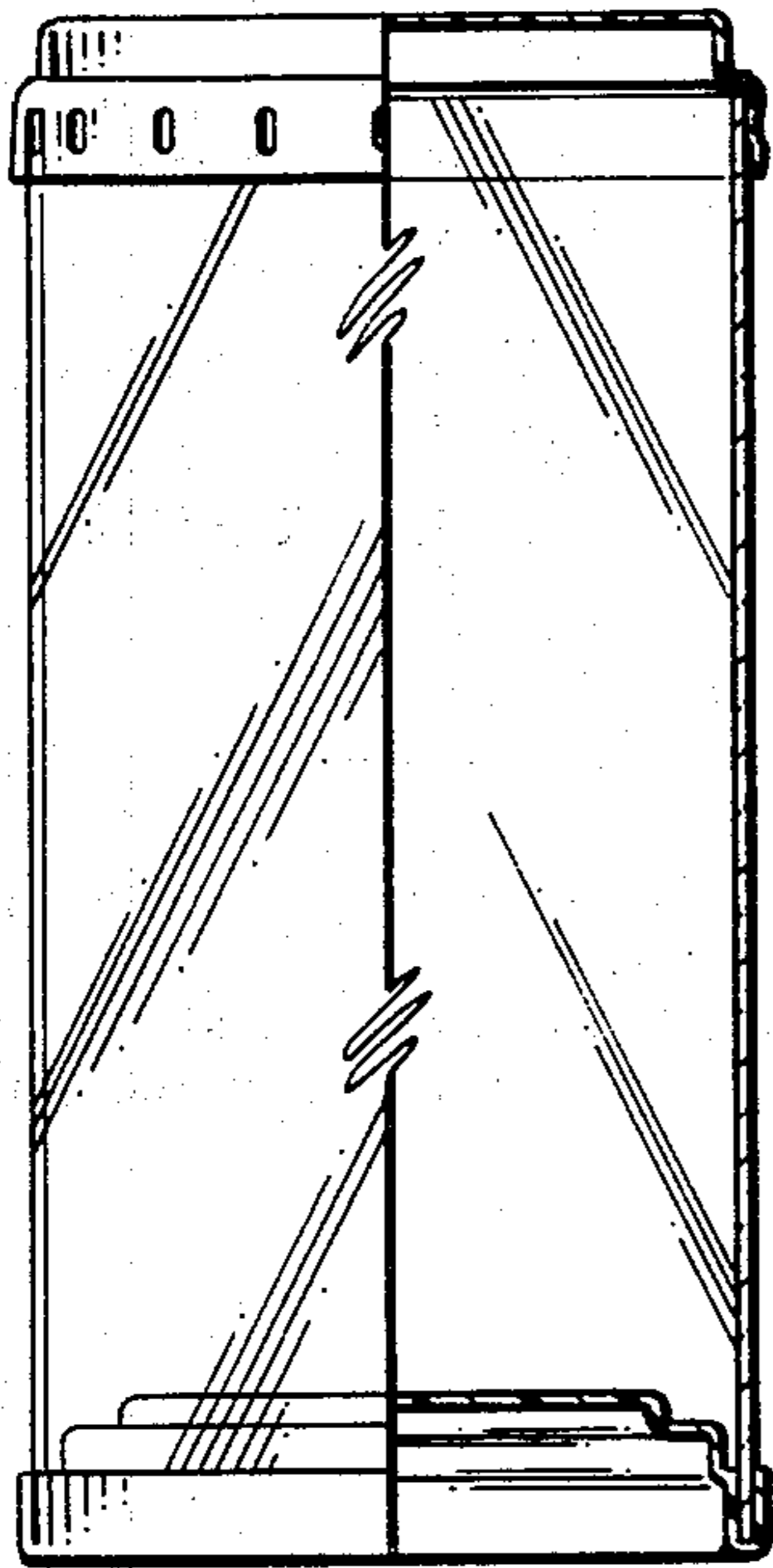


FIG. 2

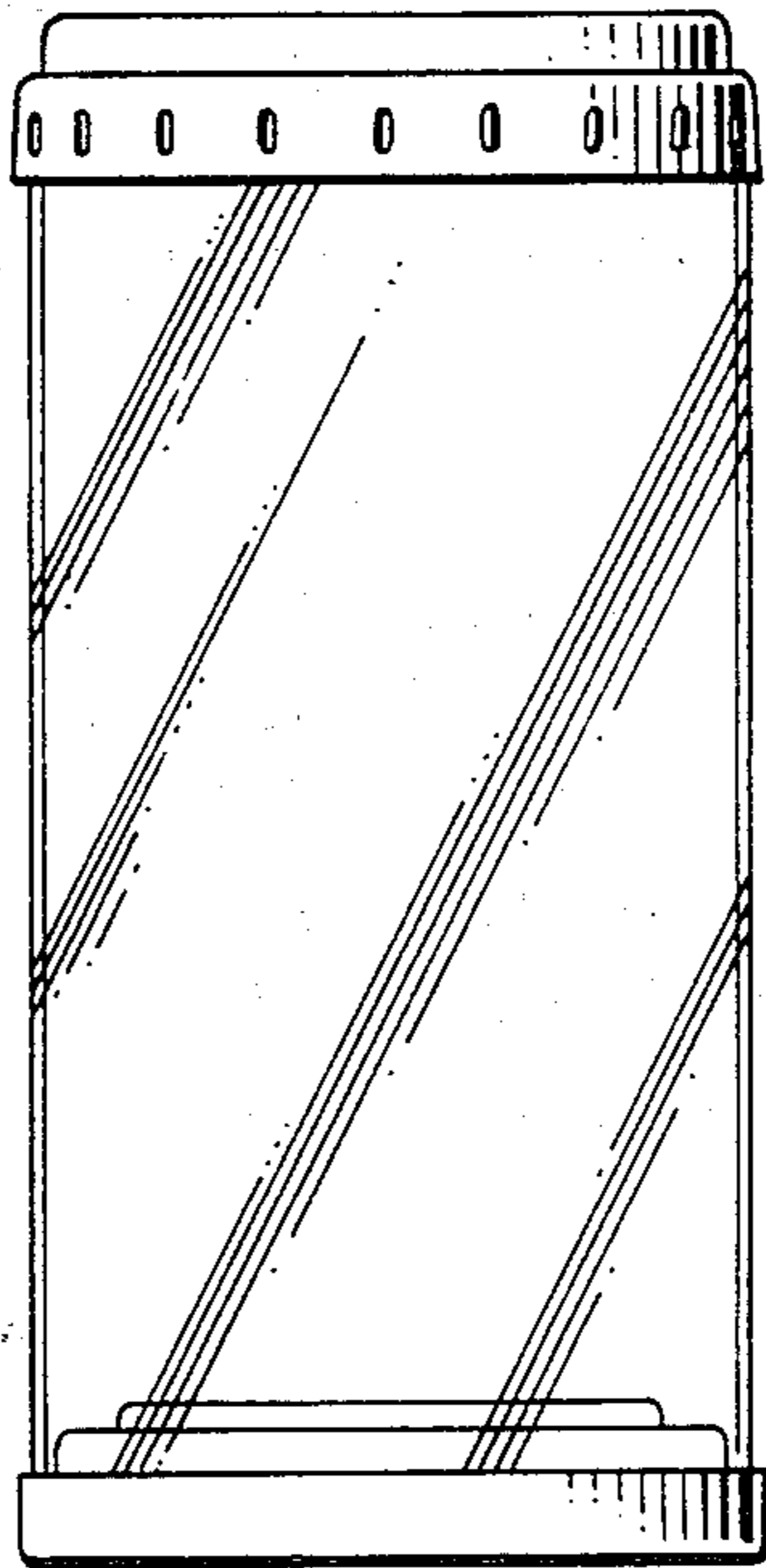


FIG. 3

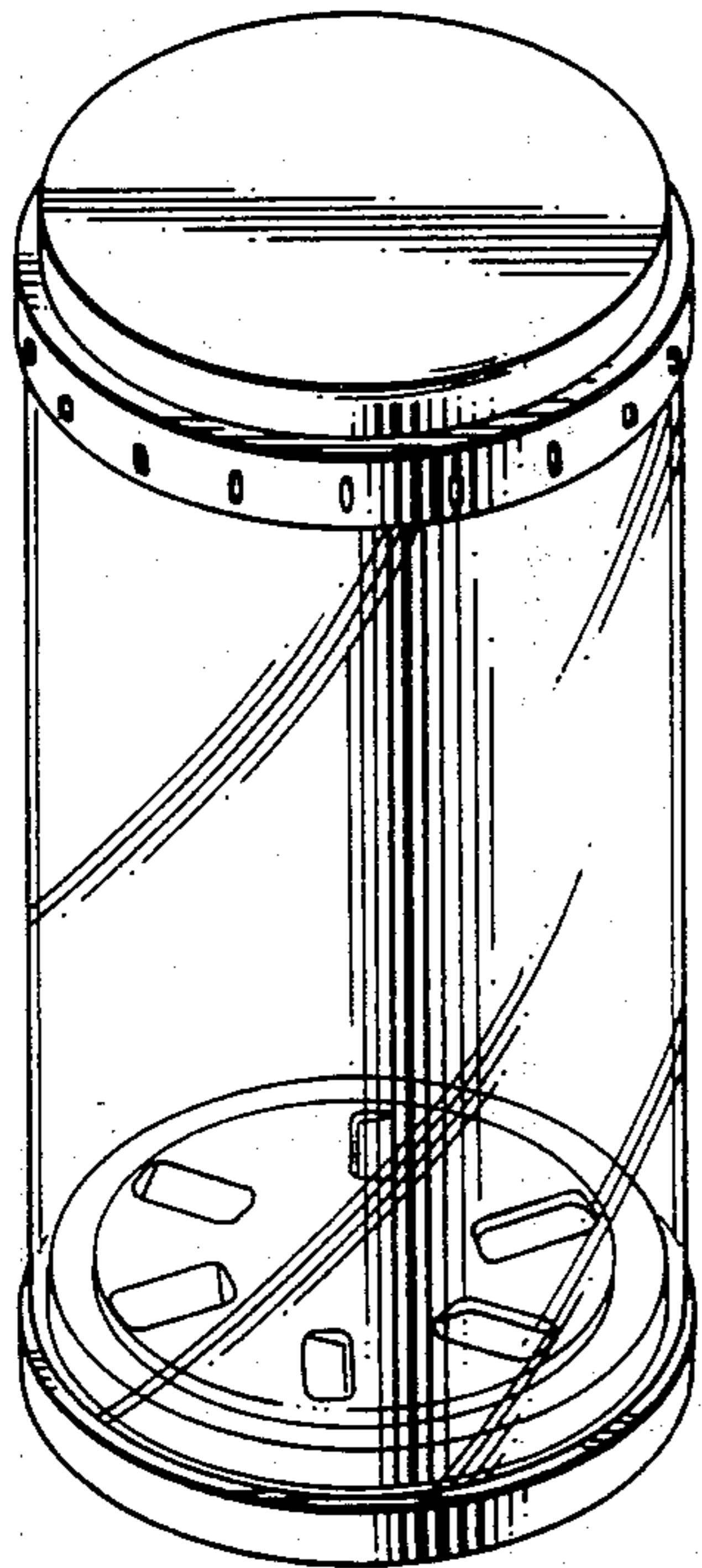


FIG. 1

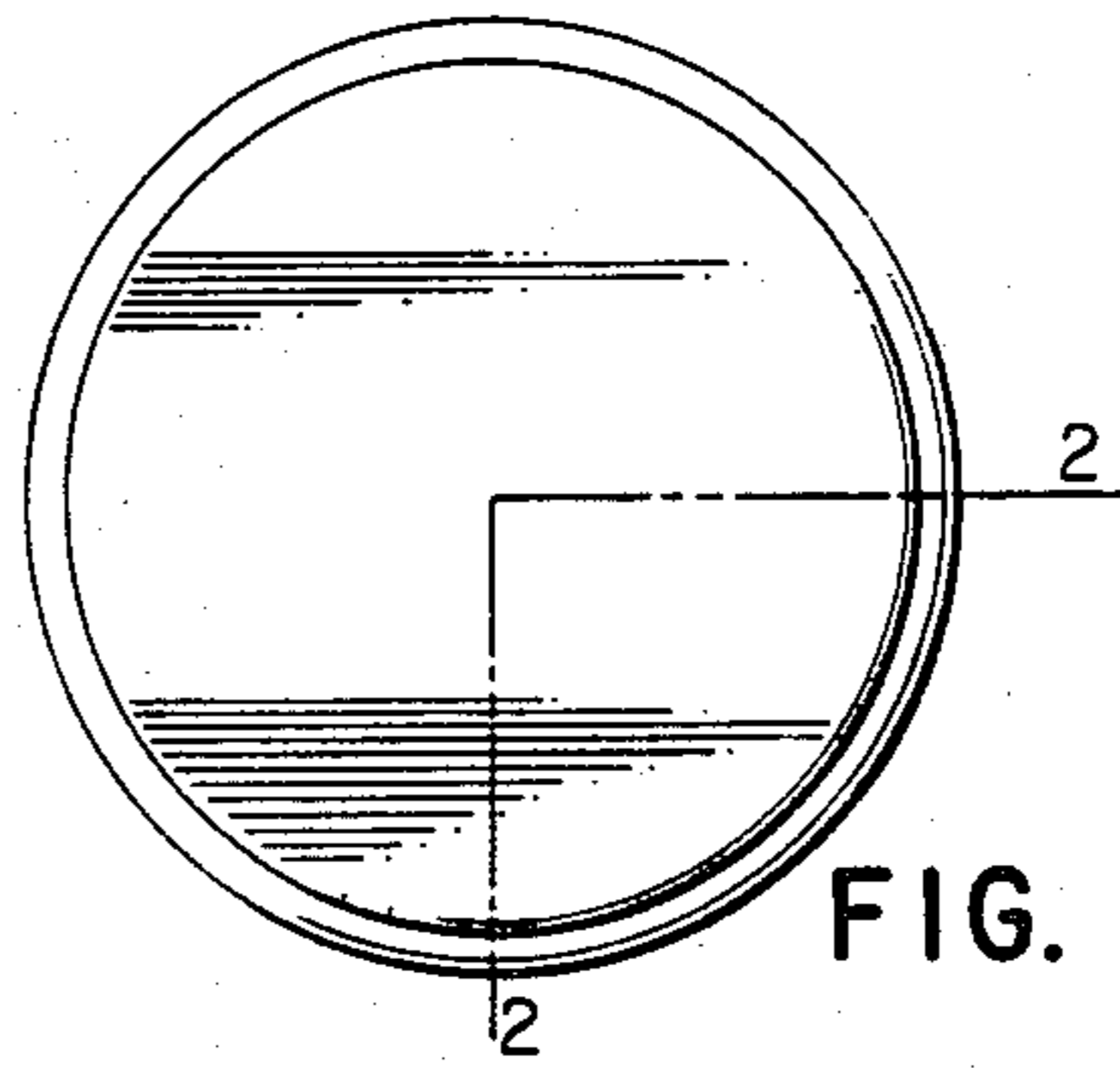


FIG. 4

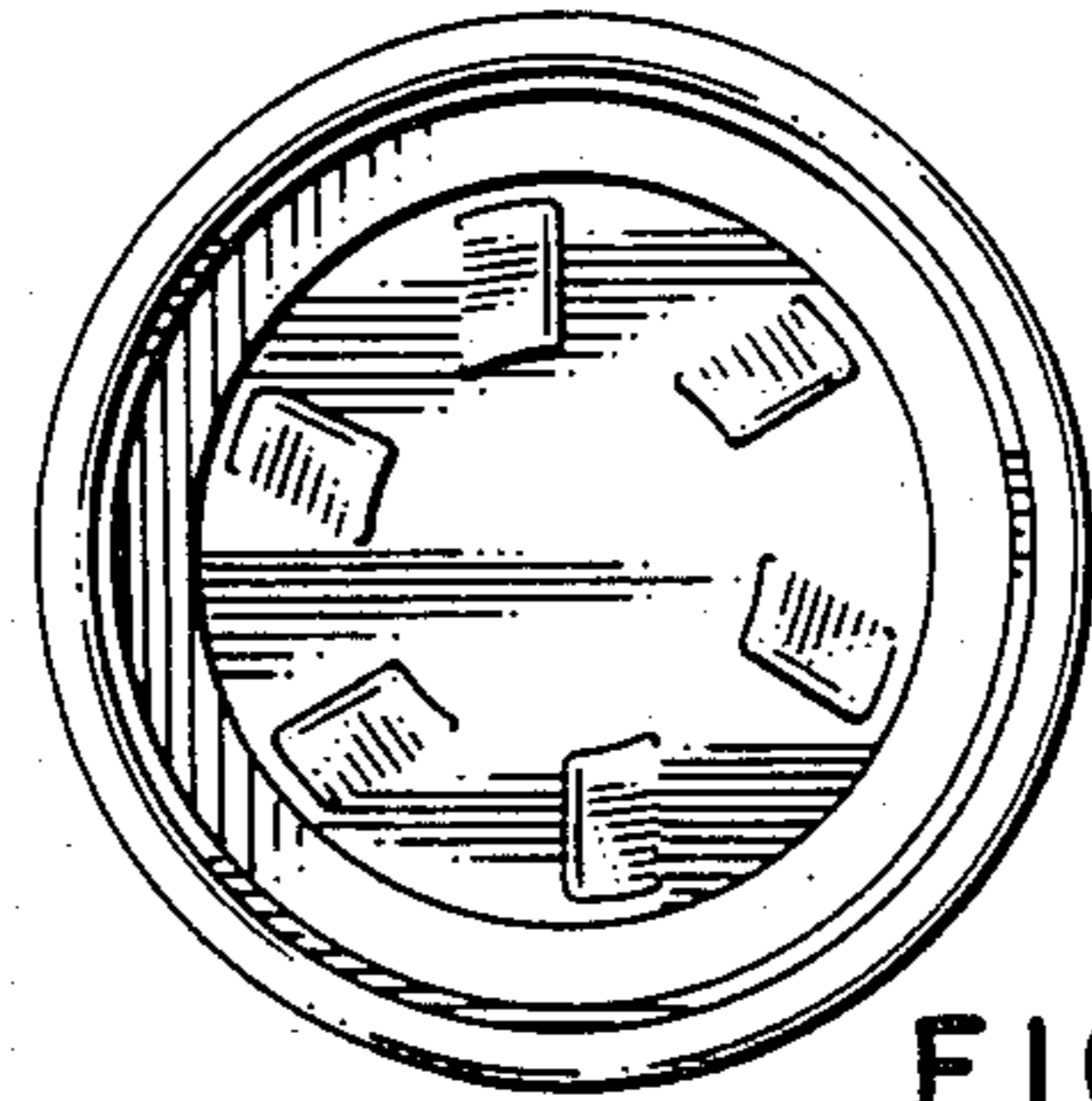


FIG. 5