

[54] **FASTENER FOR EXHAUST AIR VALVES**

[75] **Inventor:** Lennart Widerby, Jönköping,  
Sweden

[73] **Assignee:** Flakt Aktiebolag, Nacka, Sweden

[\*\*] **Term:** 14 Years

[21] **Appl. No.:** 401,130

[22] **Filed:** Jul. 23, 1982

[30] **Foreign Application Priority Data**

Jan. 29, 1982 [DE] Fed. Rep. of Germany ..... URA  
78/82

[52] **U.S. Cl.** ..... D8/389; D8/394

[58] **Field of Search** ..... D8/382, 388, 389, 394,  
D8/395, 383; 411/461, 466

[56] **References Cited**

**U.S. PATENT DOCUMENTS**

|            |        |         |       |         |
|------------|--------|---------|-------|---------|
| D. 26,511  | 1/1897 | Sharp   | ..... | D8/395  |
| D. 240,015 | 5/1976 | Buckley | ..... | D8/371  |
| 799,948    | 9/1905 | Starr   | ..... | 411/461 |
| 3,131,448  | 5/1964 | Glatz   | ..... | D8/383  |

**FOREIGN PATENT DOCUMENTS**

|         |         |                |               |
|---------|---------|----------------|---------------|
| 59299   | 3/1981  | Finland        | .             |
| 391384  | 2/1977  | Sweden         | .             |
| 0002863 | of 1910 | United Kingdom | ..... 411/466 |
| 637357  | 5/1949  | United Kingdom | .             |
| 734857  | 8/1953  | United Kingdom | .             |

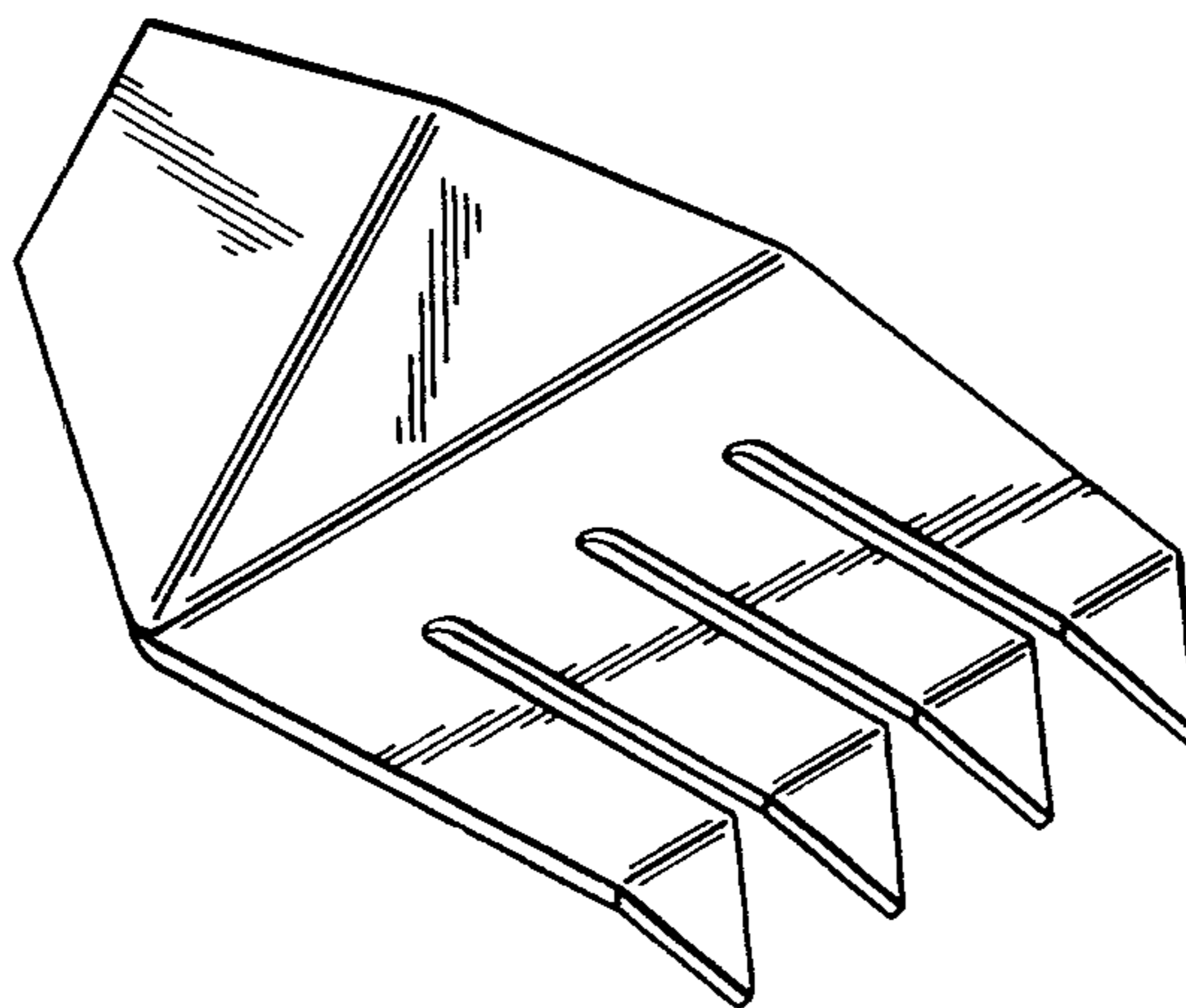
*Primary Examiner*—B. J. Bullock  
*Attorney, Agent, or Firm*—Dann, Dorfman, Herrell and Skillman

[57] **CLAIM**

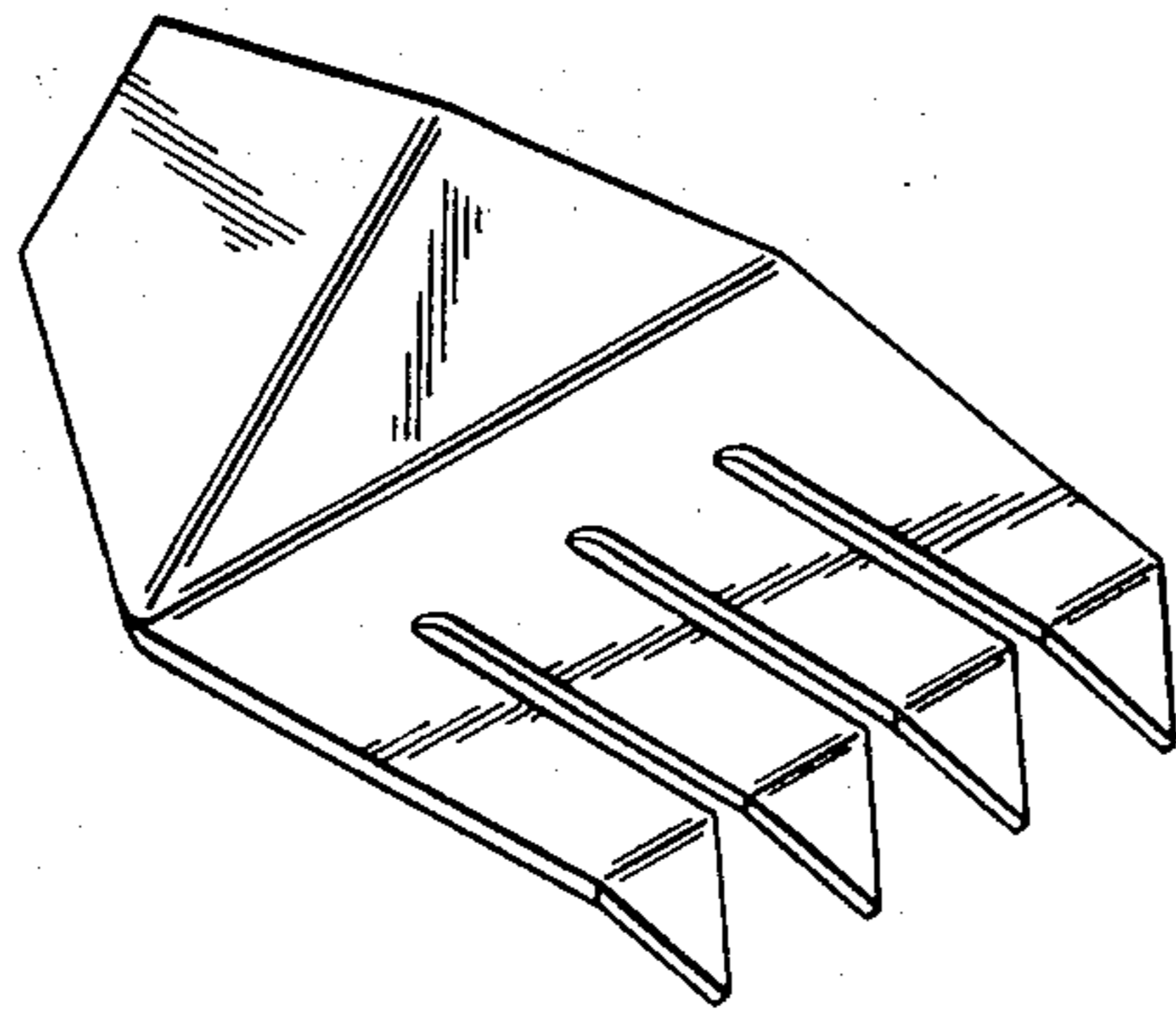
The ornamental design for a fastener for exhaust air valves, substantially as shown and described.

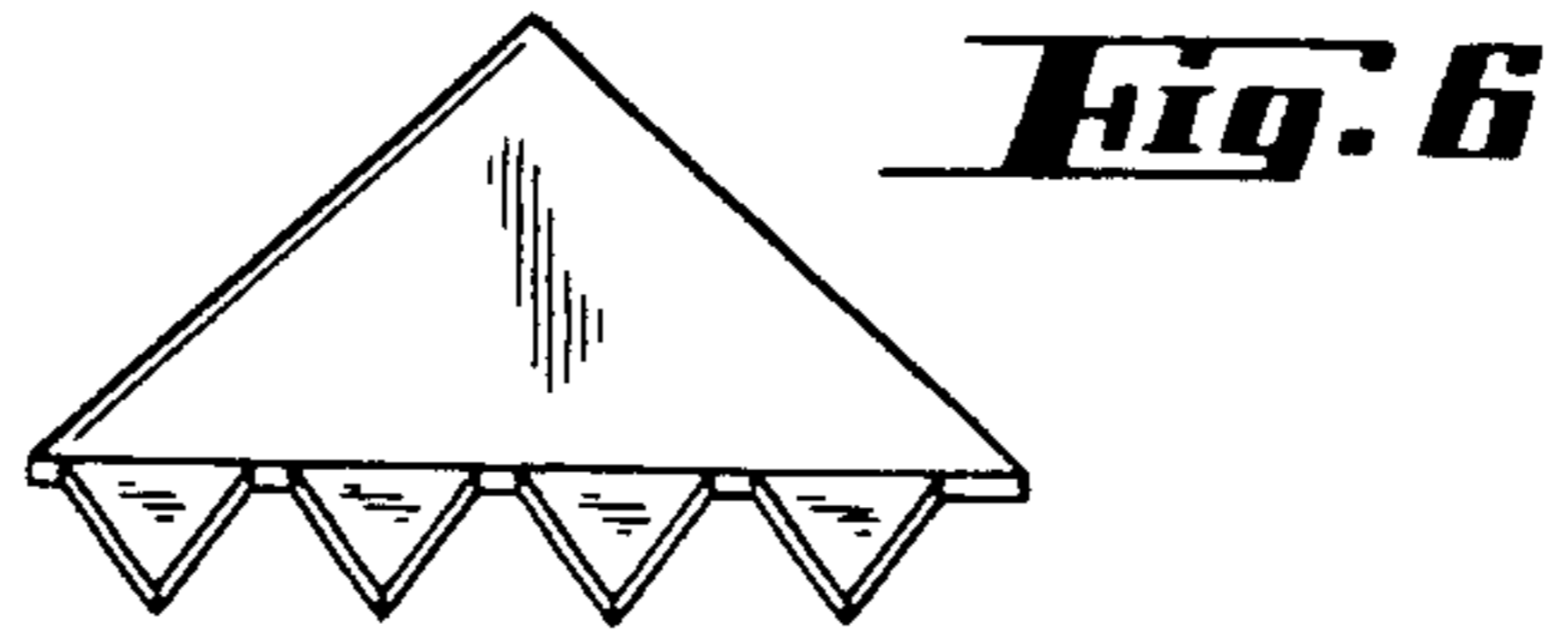
**DESCRIPTION**

FIG. 1 is a perspective view of a fastener for exhaust air valves embodying my new design;  
FIG. 2 is a top view thereof;  
FIG. 3 is a side view taken from the right of FIG. 2;  
FIG. 4 is a side view taken from the left of FIG. 2;  
FIG. 5 is a rear view thereof;  
FIG. 6 is a front view thereof; and  
FIG. 7 is a bottom view thereof.

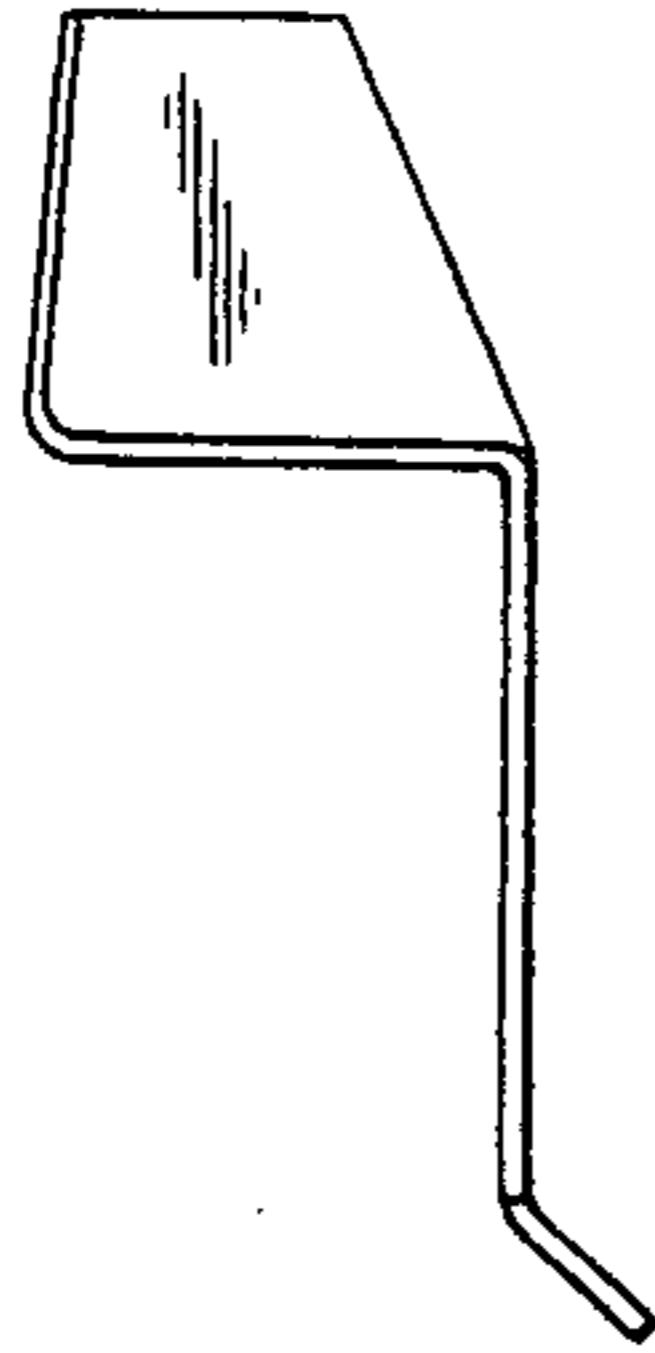


***Fig. 1***

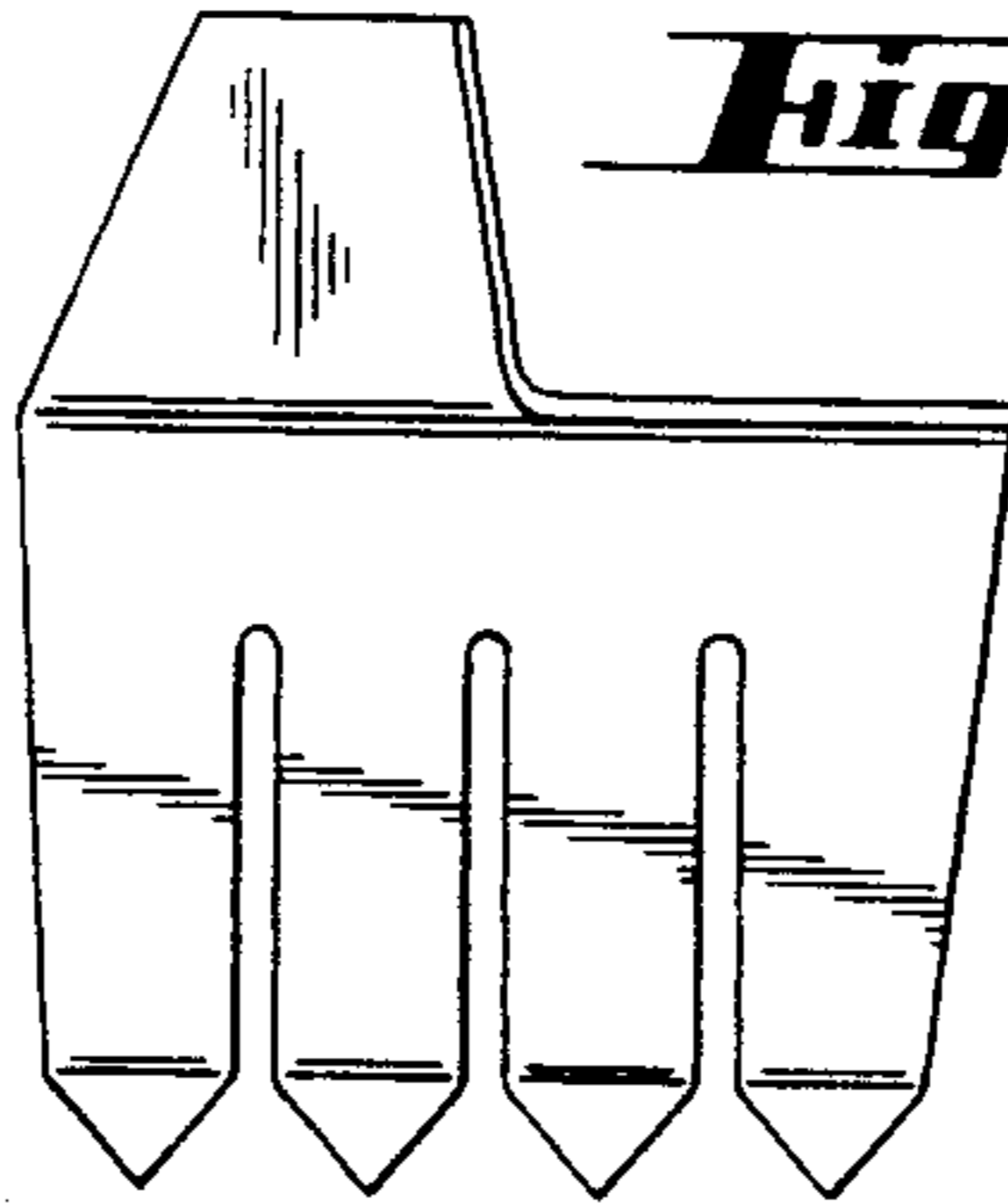




**Fig. 3**



**Fig. 2**



**Fig. 4**

