

[54] SOAP HOLDER

[76] Inventor: Bruce R. Thompson, 32 Shakespeare Ave., Tranmere, South Australia, Australia

[**] Term: 14 Years

[21] Appl. No.: 446,770

[22] Filed: Dec. 3, 1982

[30] Foreign Application Priority Data

Oct. 12, 1982 [AU] Australia 1817/82

[52] U.S. Cl. D6/540; D6/536

[58] Field of Search D6/86, 89, 90; 206/77.1; 211/60 R, 65, 87, 88, 126; 248/359, 360, 110, 309.1, 309.2, 309.3

[56] References Cited

U.S. PATENT DOCUMENTS

D. 67,736 7/1925 Balmer D6/89

2,489,543 11/1949 Sanford 211/88
3,194,526 7/1965 Lemmond 248/359

Primary Examiner—Wallace R. Burke
Assistant Examiner—Suzanne N. Gitlin
Attorney, Agent, or Firm—McDougall, Hersh & Scott

[57] CLAIM

The ornamental design for a soap holder, as shown.

DESCRIPTION

FIG. 1 is a perspective view of a soap holder showing my new design;

FIG. 2 is an exploded view thereof;

FIG. 3 is a top plan view thereof;

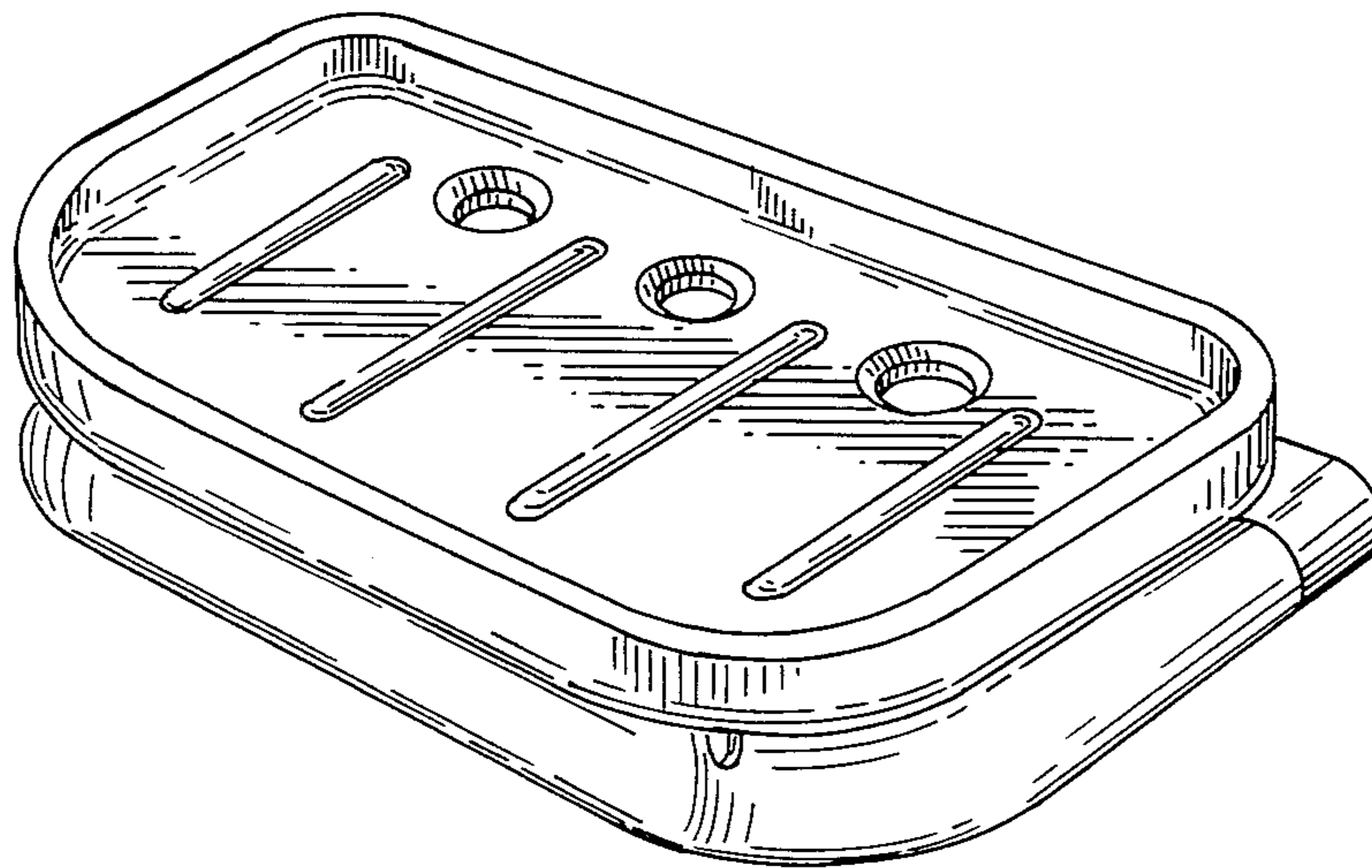
FIG. 4 is a bottom plan view thereof;

FIG. 5 is a front elevational view thereof;

FIG. 6 is a rear elevational view thereof;

FIG. 7 is a side elevational view taken from the left of FIG. 1;

FIG. 8 is a side elevational view taken from the right of FIG. 1.



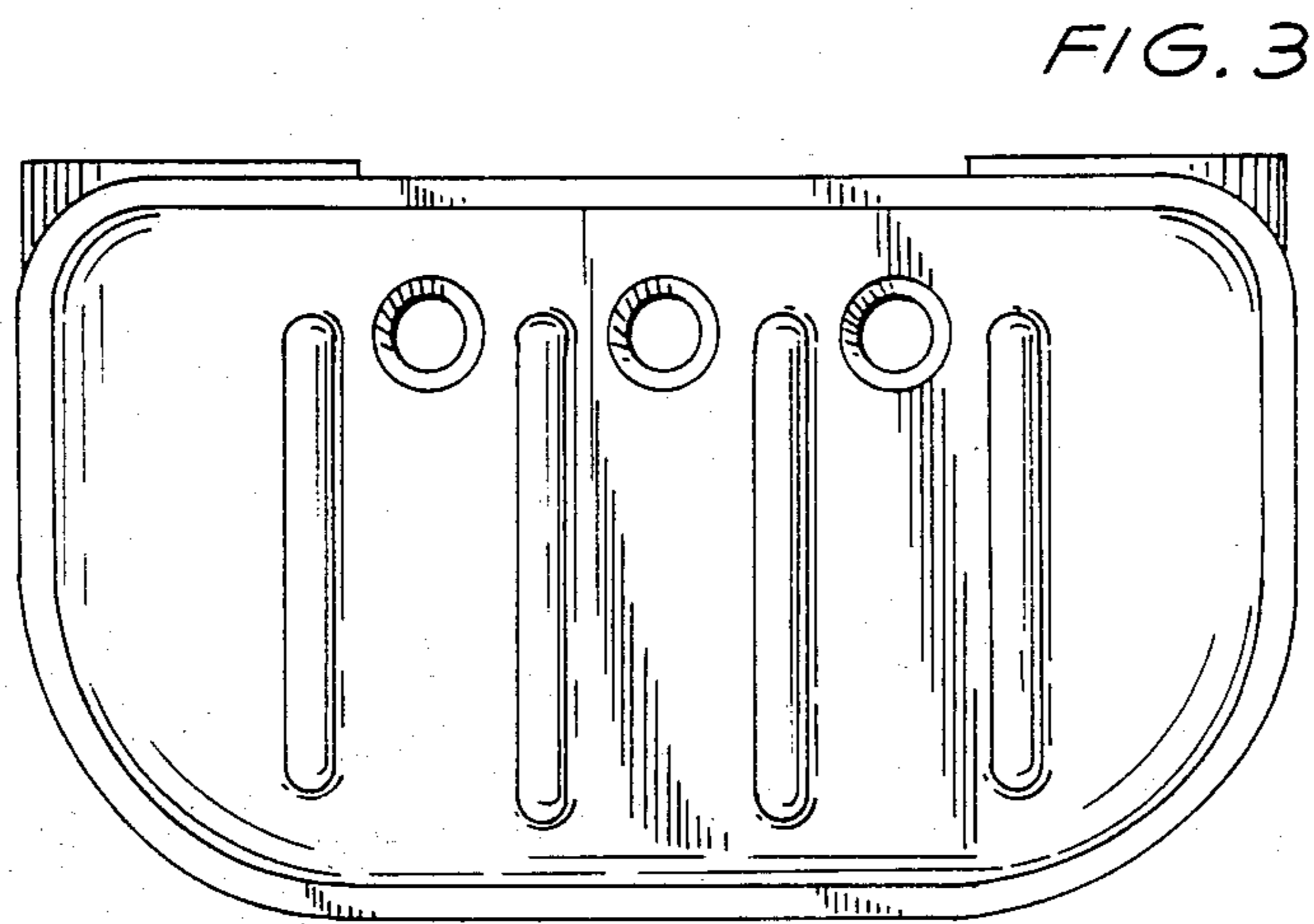
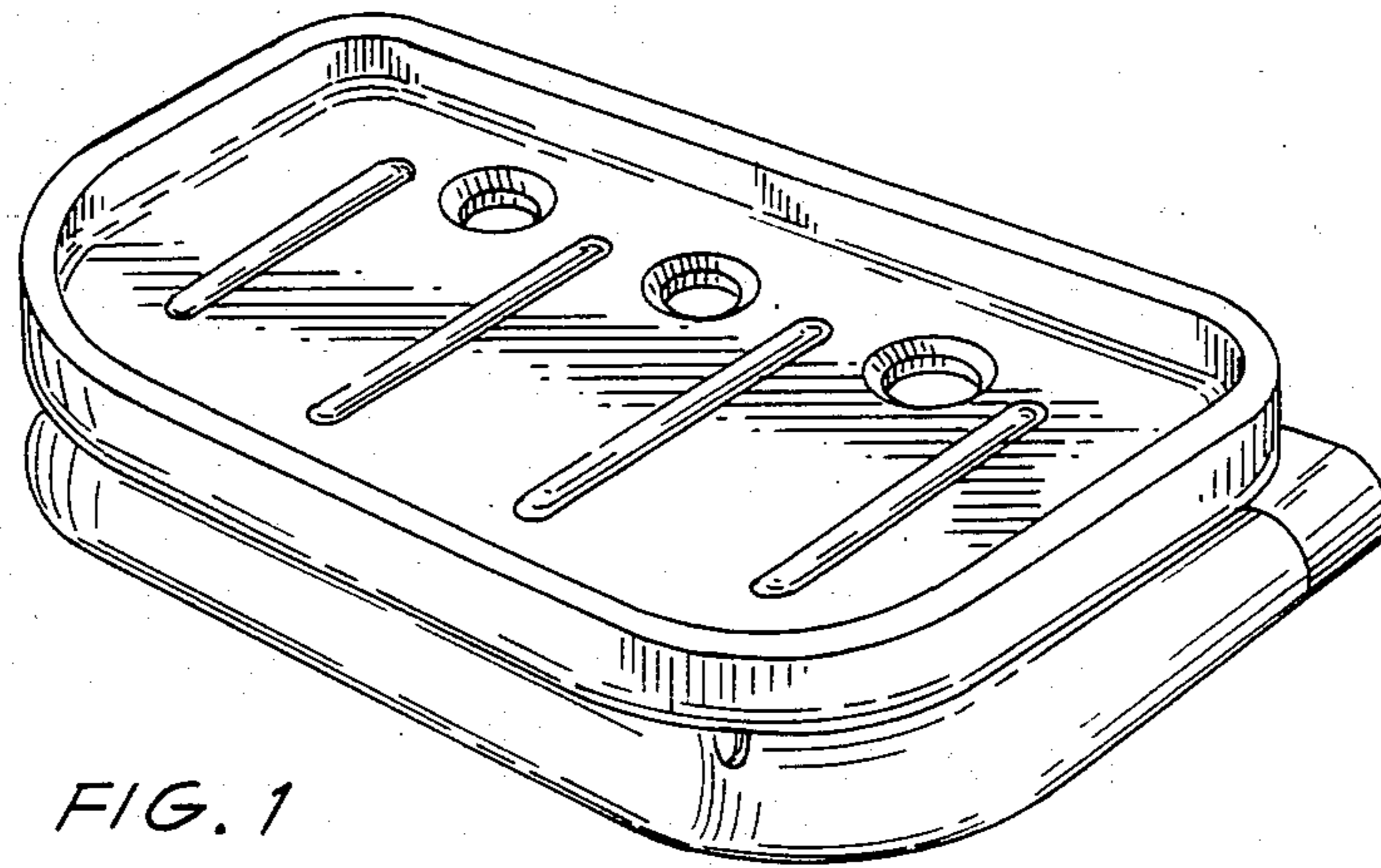


FIG. 2

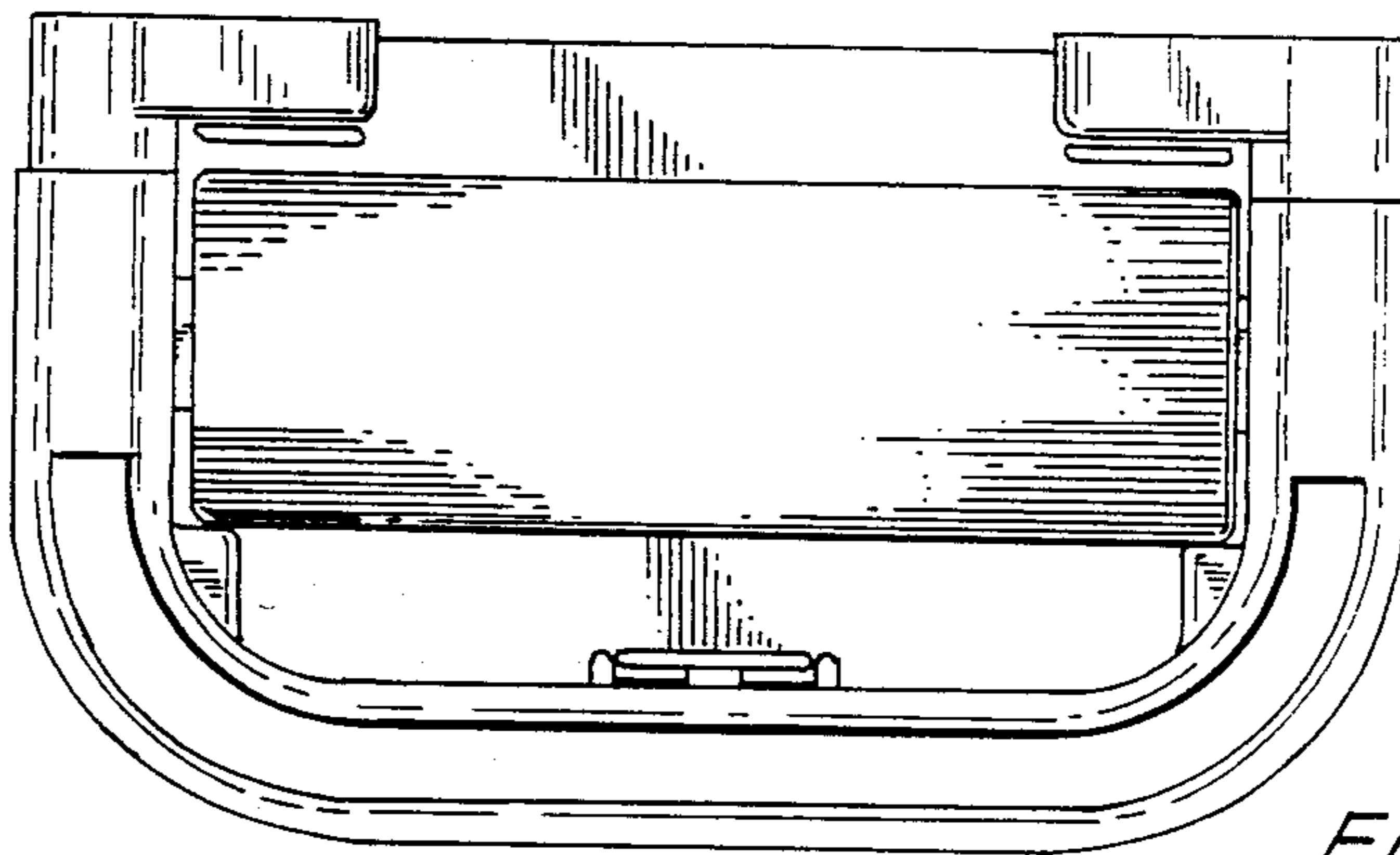
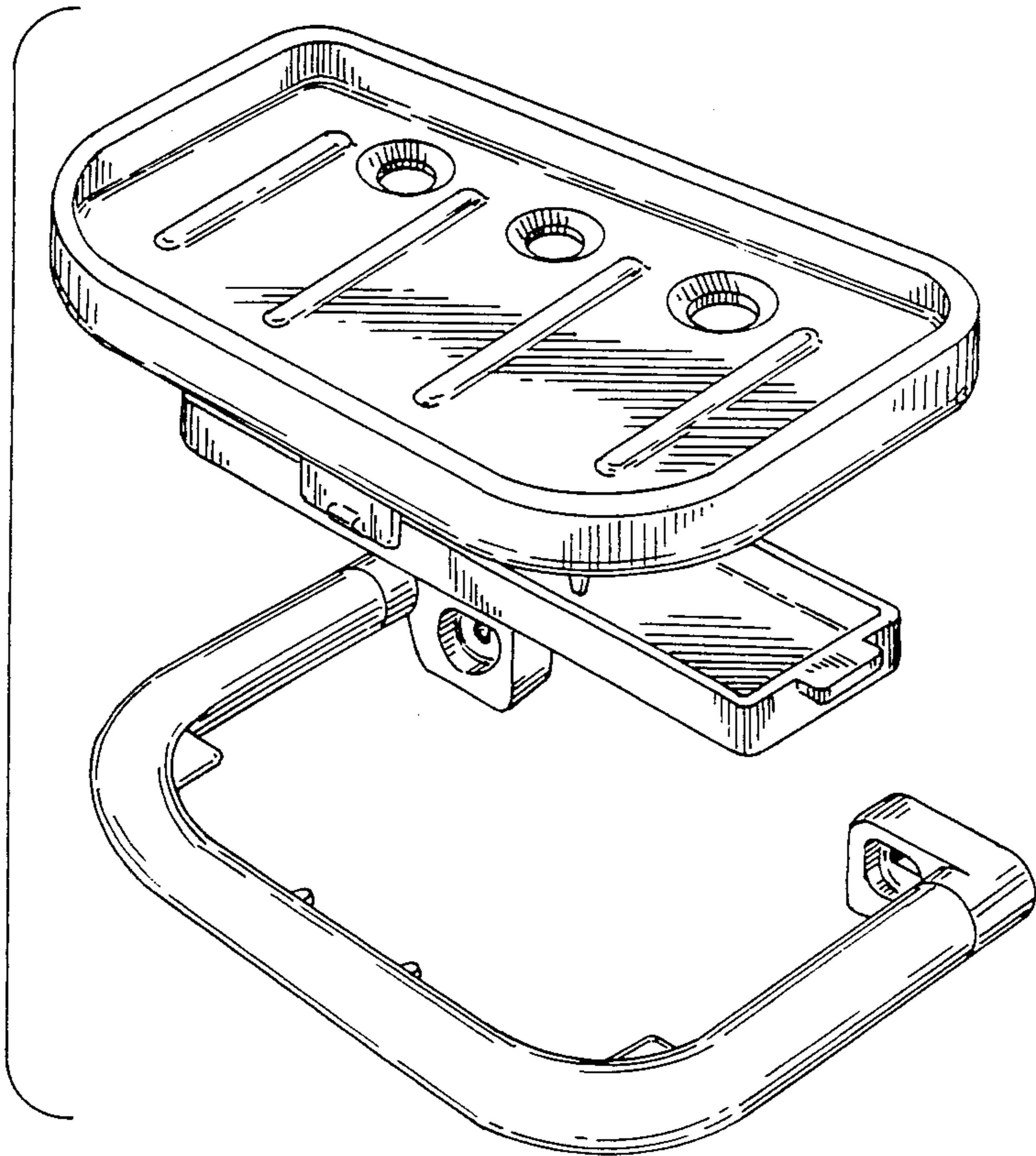


FIG. 4

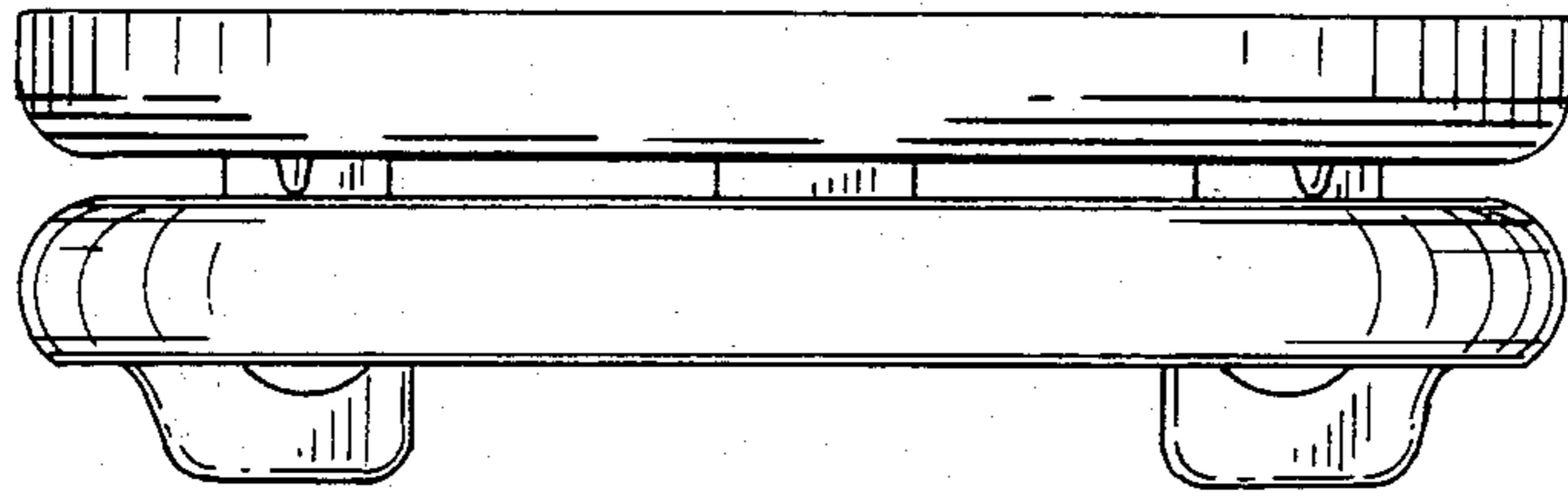


FIG. 5

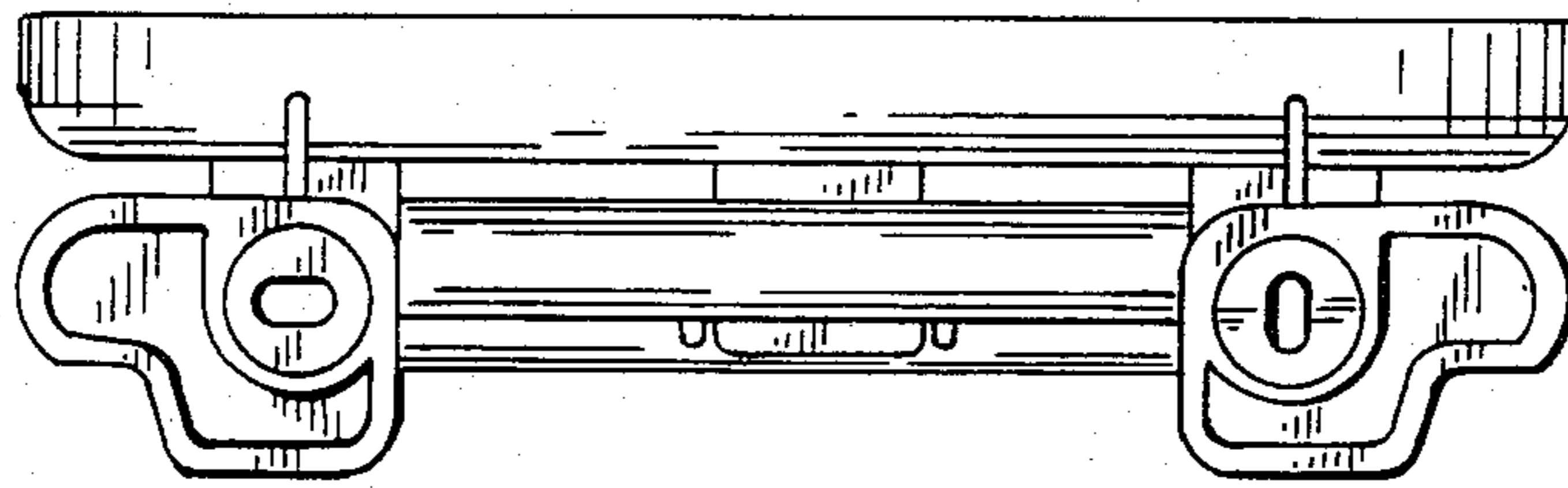


FIG. 6

