

[54] **COMBINED TOOTHBRUSH AND TUMBLER HOLDER**

[76] **Inventor: Bruce R. Thompson**, 32 Shakespeare Ave., Tramere, South Australia, Australia

[**] **Term: 14 Years**

[21] **Appl. No.: 446,853**

[22] **Filed: Dec. 3, 1982**

[30] **Foreign Application Priority Data**

Oct. 12, 1982 [AU] Australia 1818/82

[52] **U.S. Cl. D6/531**

[58] **Field of Search** D6/86, 91, 92, 93, 94, D6/125; D7/70; 206/362, 372; 211/65, 66, 70, 71, 87, 88; 248/110, 111

[56] **References Cited**

U.S. PATENT DOCUMENTS

D. 99,443 4/1936 Levy D6/92

D. 171,001 12/1953 Mayer D6/92

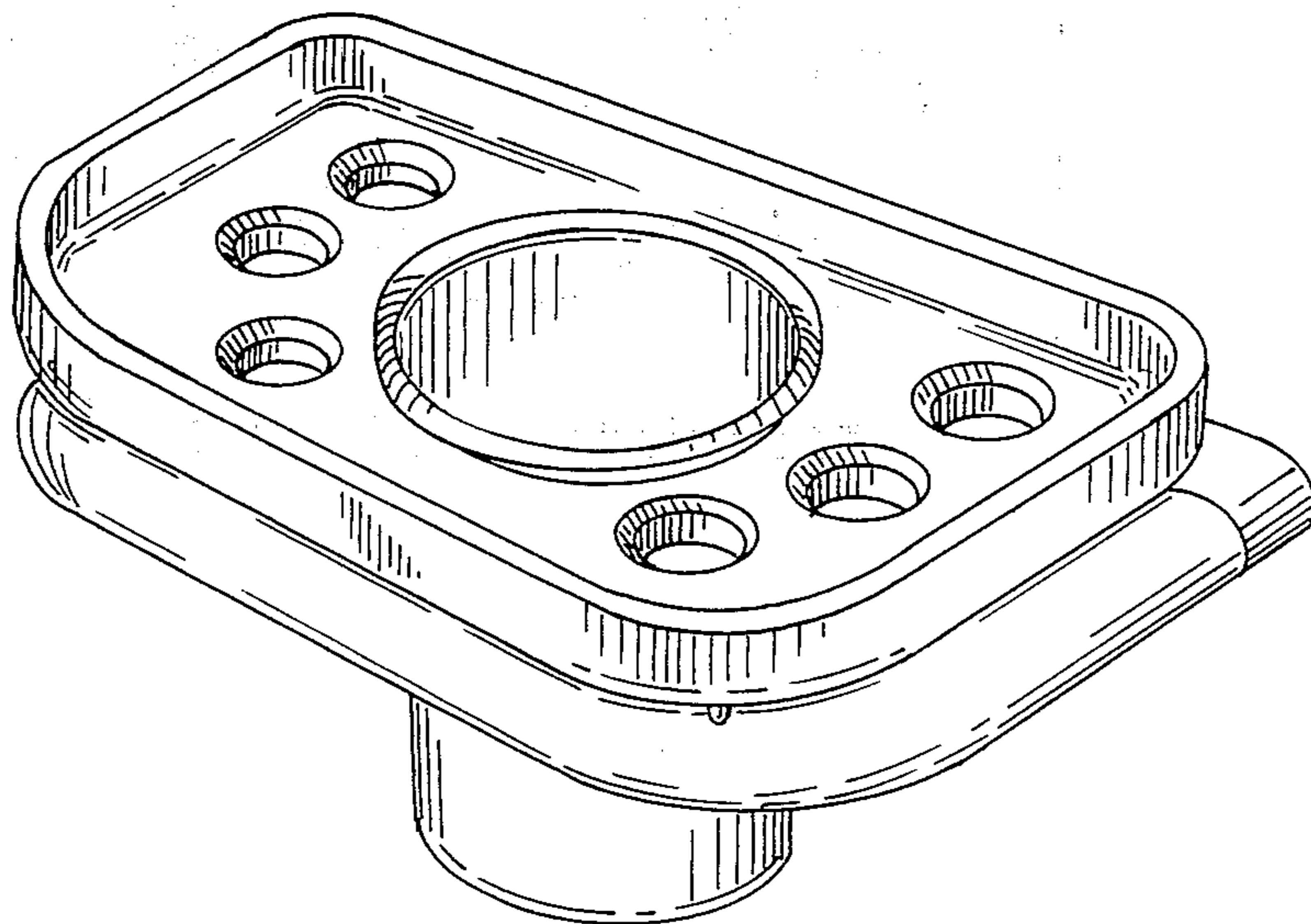
Primary Examiner—Wallace R. Burke
Assistant Examiner—Suzanne N. Gitlin
Attorney, Agent, or Firm—McDougall, Hersh & Scott

[57] **CLAIM**

The ornamental design for a combined toothbrush and tumbler holder, as shown.

DESCRIPTION

FIG. 1 is a perspective view of a combined toothbrush and tumbler holder showing my new design;
FIG. 2 is an exploded perspective view thereof;
FIG. 3 is a top plan view thereof;
FIG. 4 is a bottom plan view thereof;
FIG. 5 is a side elevational view taken from the left of FIG. 1;
FIG. 6 is a side elevational view taken from the right of FIG. 1;
FIG. 7 is a front elevational view thereof;
FIG. 8 is a rear elevational view thereof.



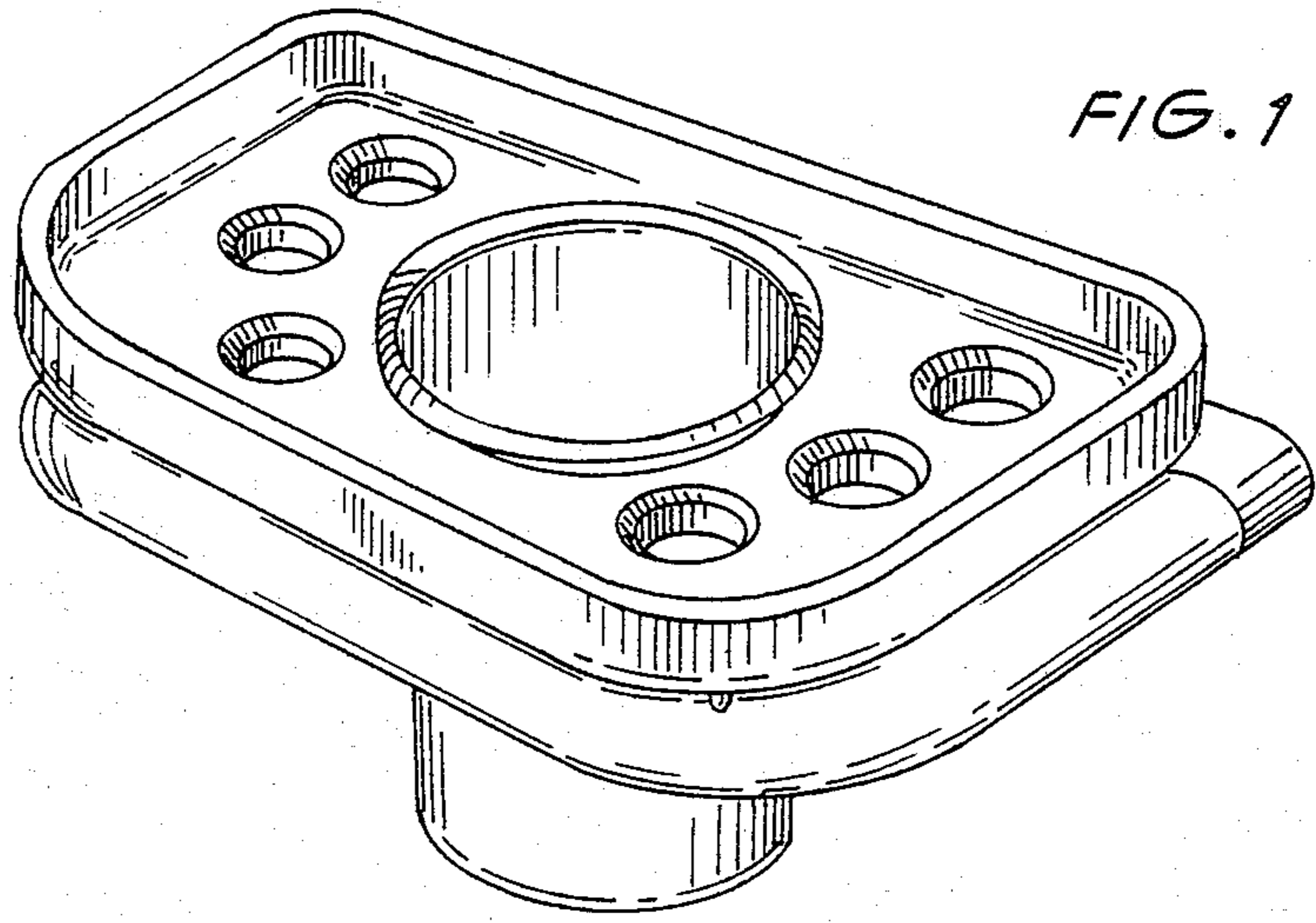
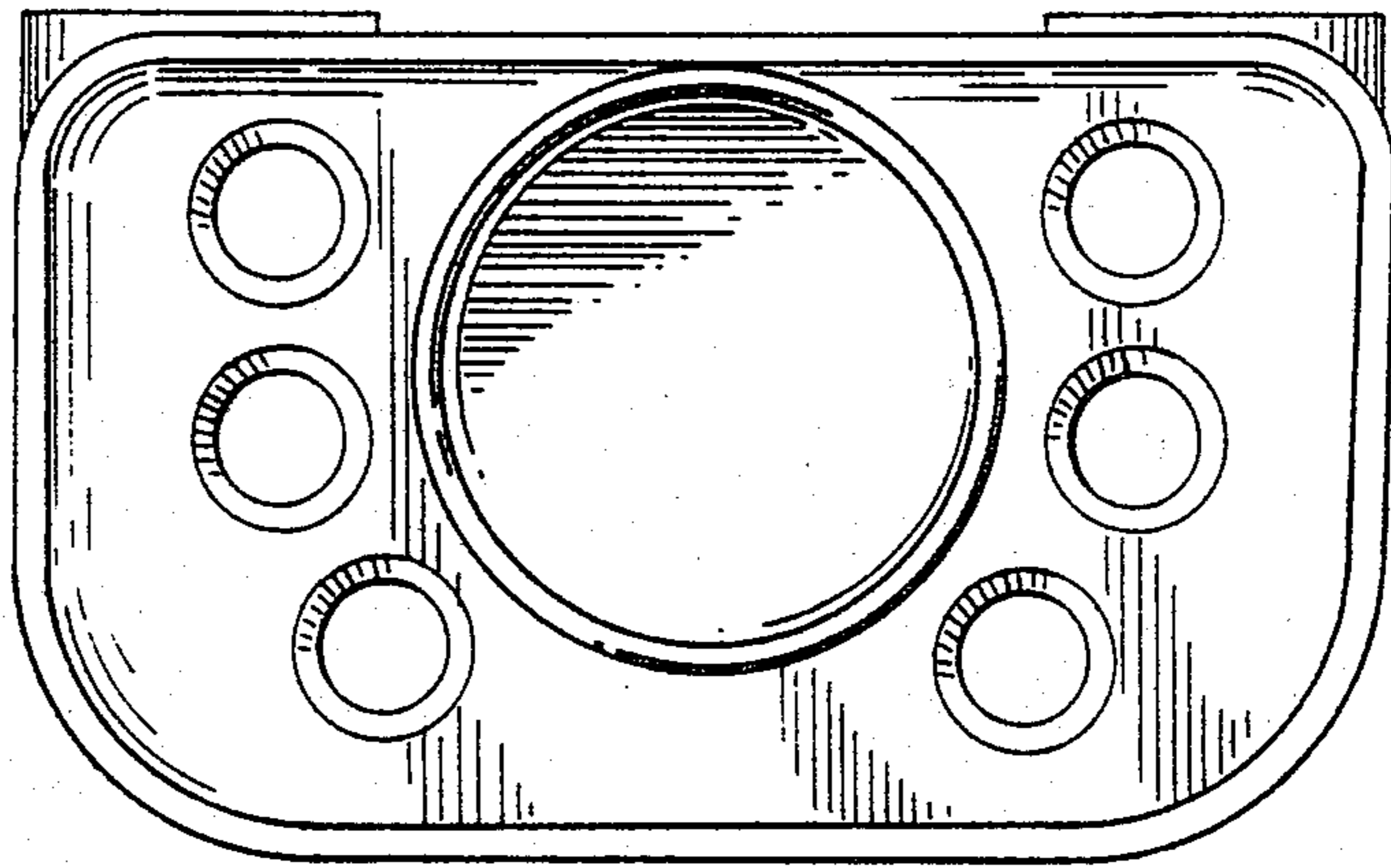


FIG. 3



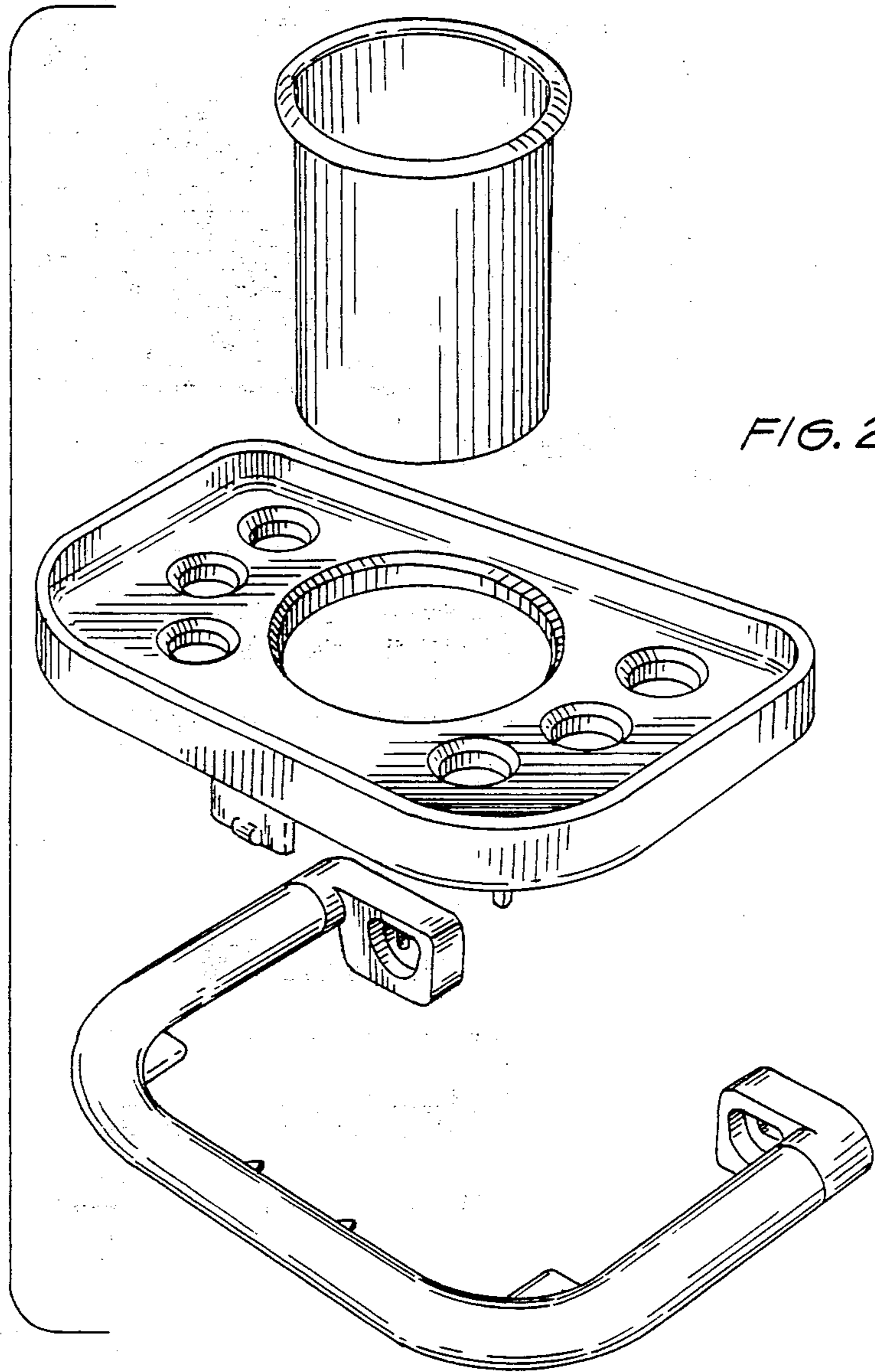


FIG. 2

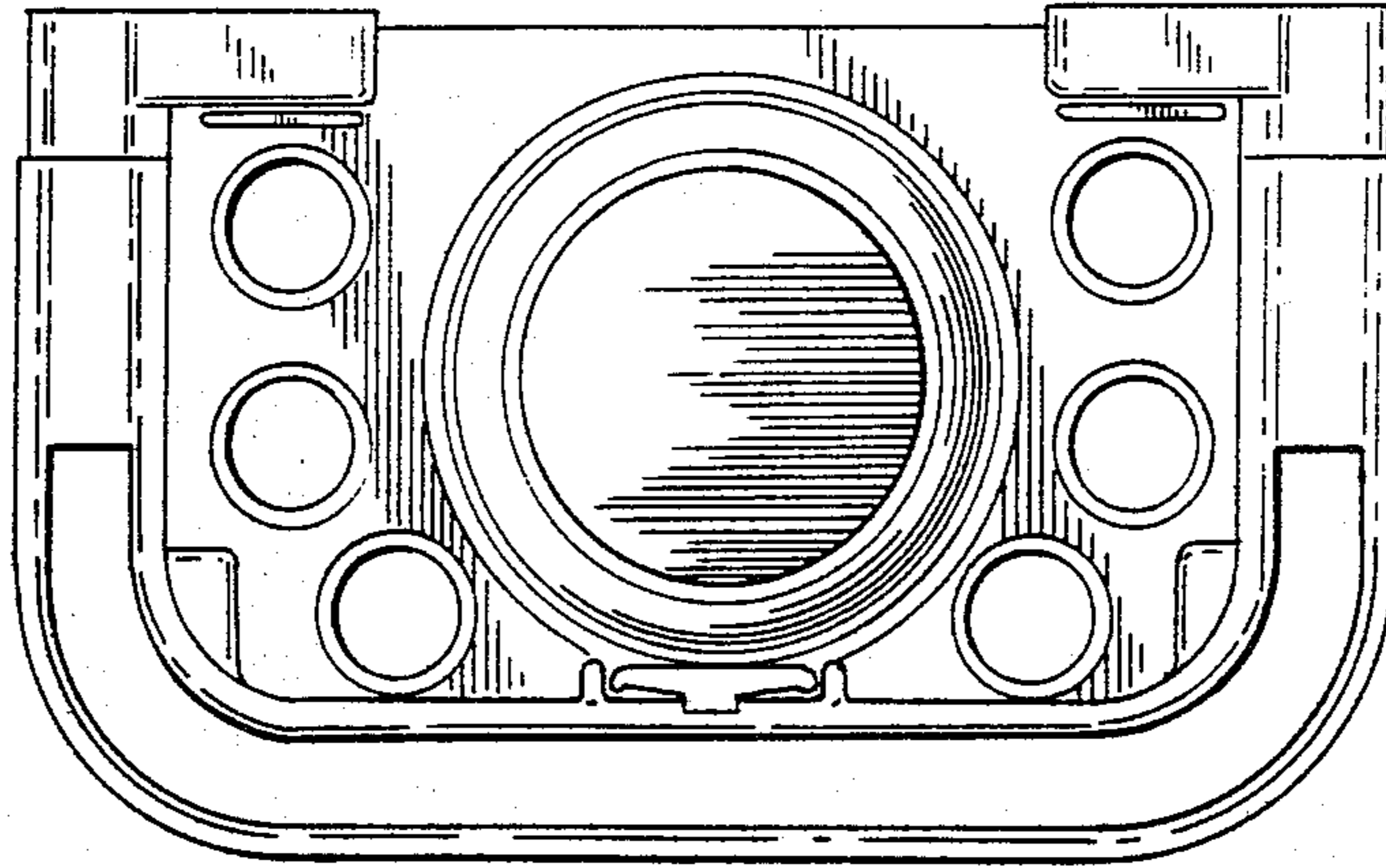


FIG. 4

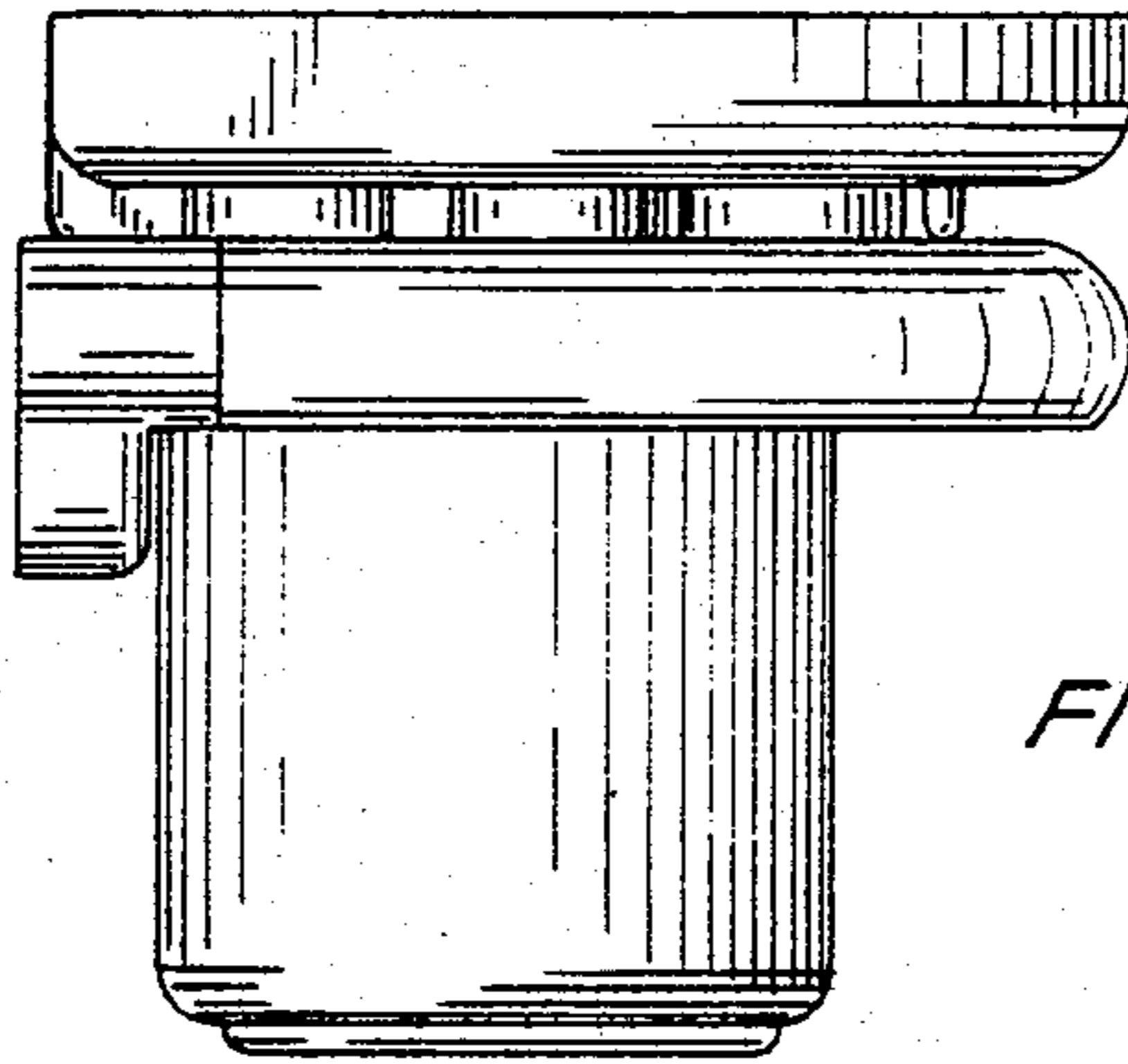


FIG. 5

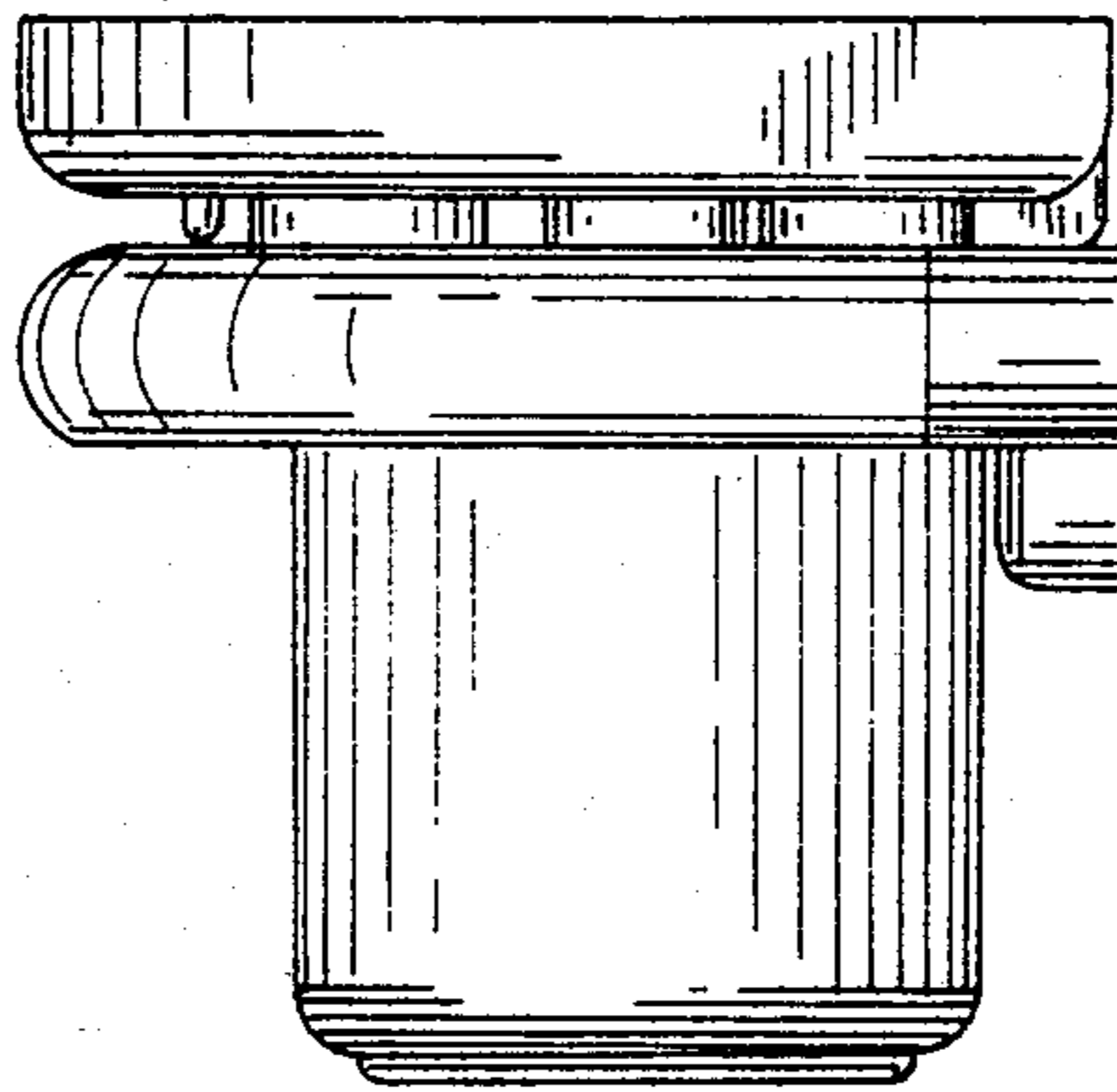


FIG. 6

