

[54] ROTATABLE STORAGE RACK FOR SPICE  
JARS AND THE LIKE

[76] Inventor: Rodnie D. Oldham, 10295 Virginia  
Swan Pl., Cupertino, Calif. 95014

[\*\*] Term: 14 Years

[21] Appl. No.: 416,865

[22] Filed: Sep. 13, 1982

[52] U.S. Cl. .... D6/513; D7/71

[58] Field of Search ..... D6/113, 114; D7/71;  
211/13, 71, 74, 78, 95, 163

[56] References Cited

U.S. PATENT DOCUMENTS

D. 170,615	10/1953	Troha	.....	D7/71
D. 250,156	11/1978	Tafoya	.....	D6/113
938,809	11/1909	Alexander et al.	.....	211/163
2,911,107	11/1959	Francavillo	.....	211/78
3,805,965	4/1974	Champagne	.....	211/163
4,334,623	6/1982	Geary	.....	211/78

FOREIGN PATENT DOCUMENTS

0230169 7/1960 Australia ..... 211/95

Primary Examiner—B. J. Bullock  
Attorney, Agent, or Firm—Allston L. Jones

[57] CLAIM

The ornamental design for a rotatable storage rack for spice jars and the like, as shown and described.

DESCRIPTION

FIG. 1 is a front perspective view of the rotatable storage rack for spice jars and the like showing my new design;

FIG. 2 is a rear elevational view thereof;

FIG. 3 is a side elevational view thereof;

FIG. 4 is a side elevational view of a second embodiment of the design of FIG. 1, the only differences being an increase in the size of the rotatable drum and in its number of sides;

FIG. 5 is a side elevational view of a third embodiment of the design of FIG. 1, the only difference being the number of sides on the rotatable drum.

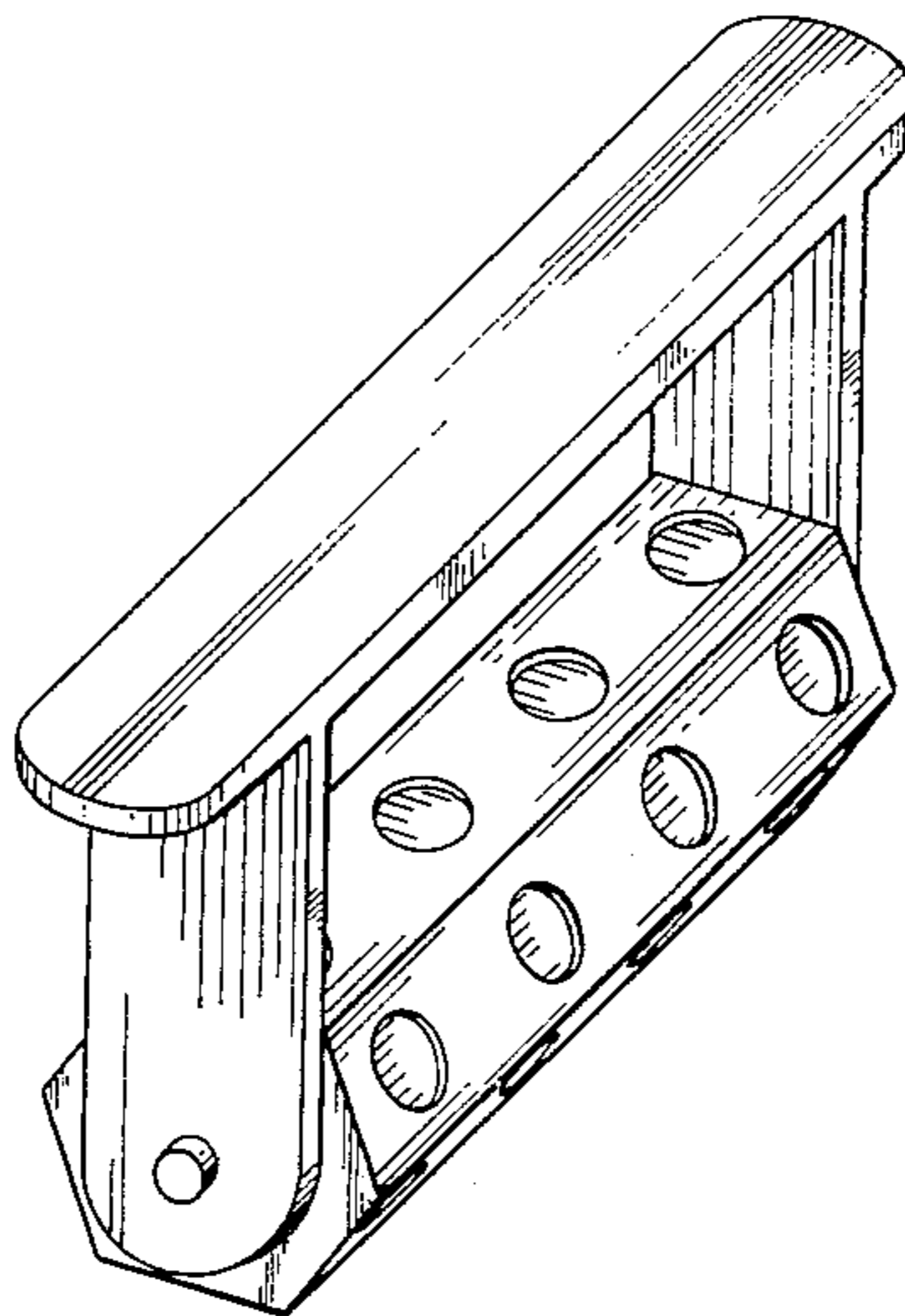


FIG. 2

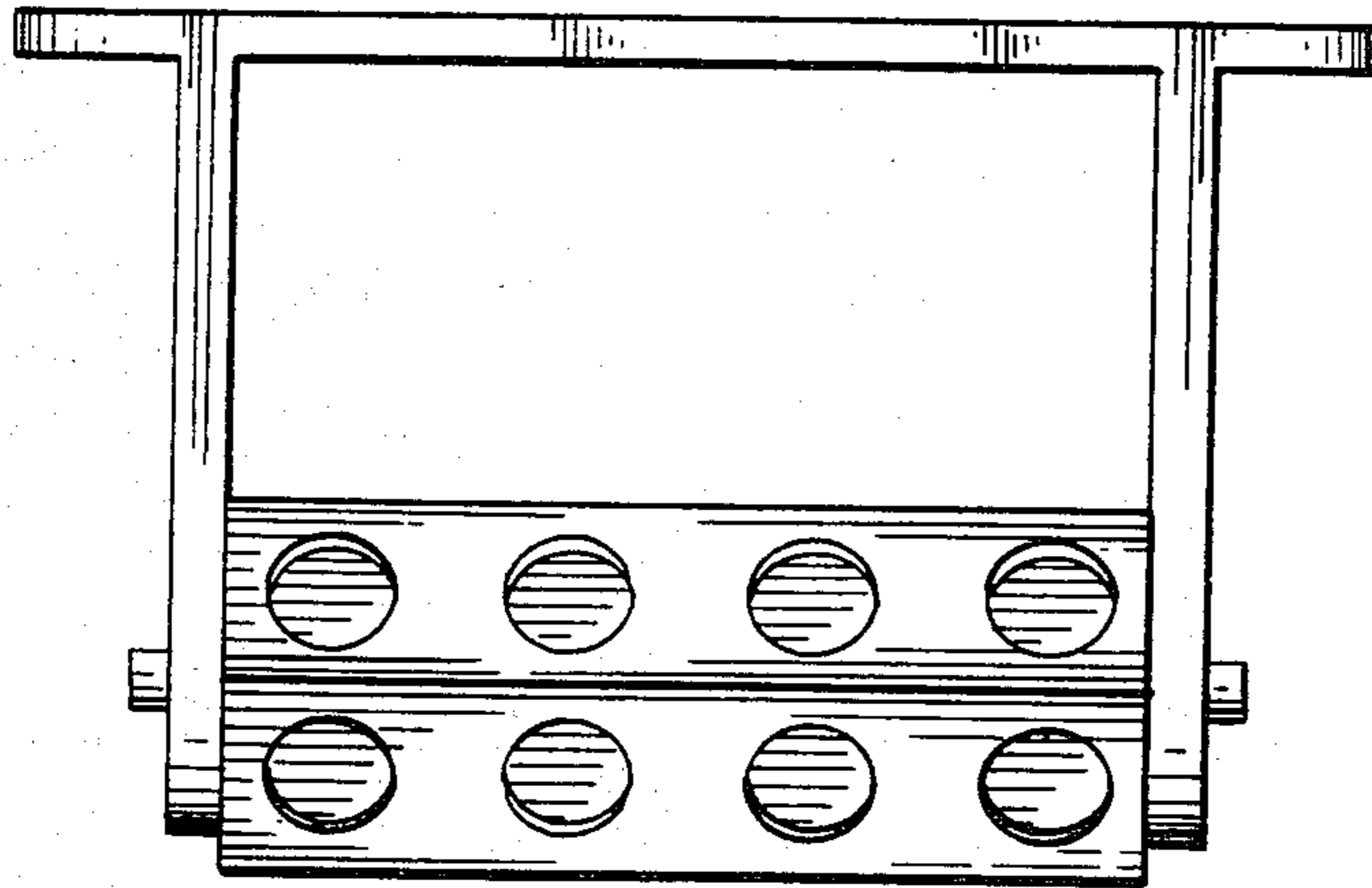


FIG. 1

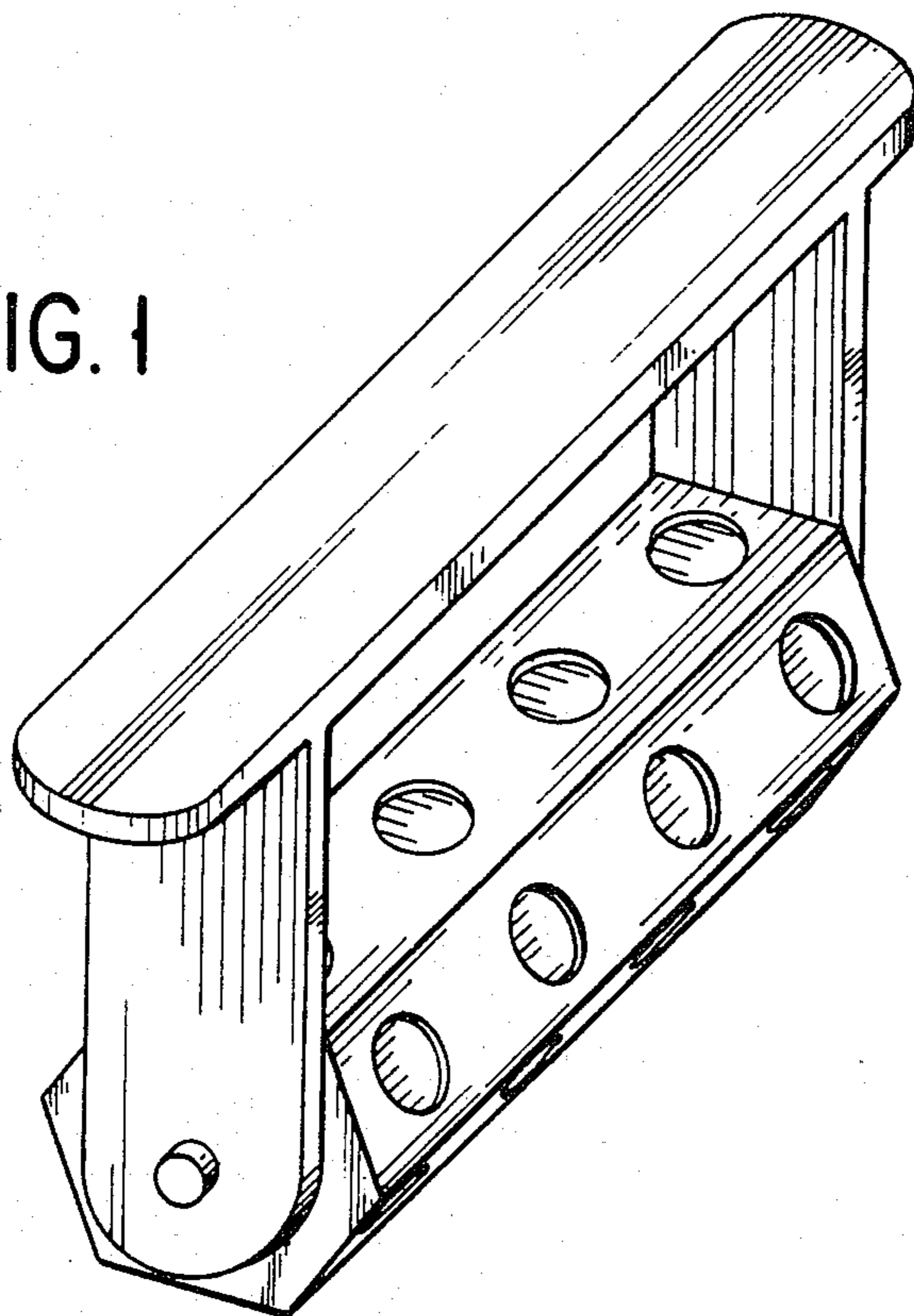


FIG.3

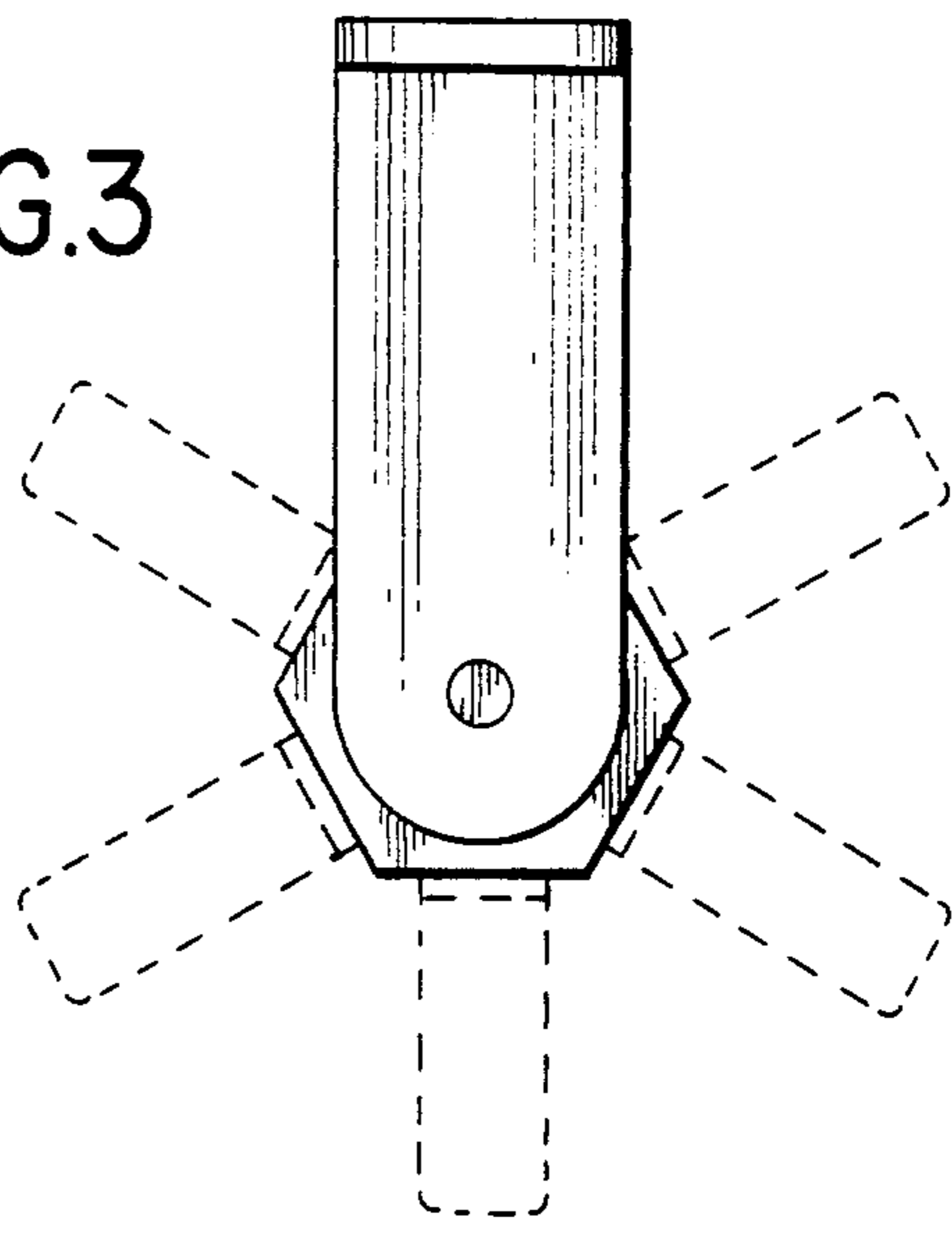


FIG.4

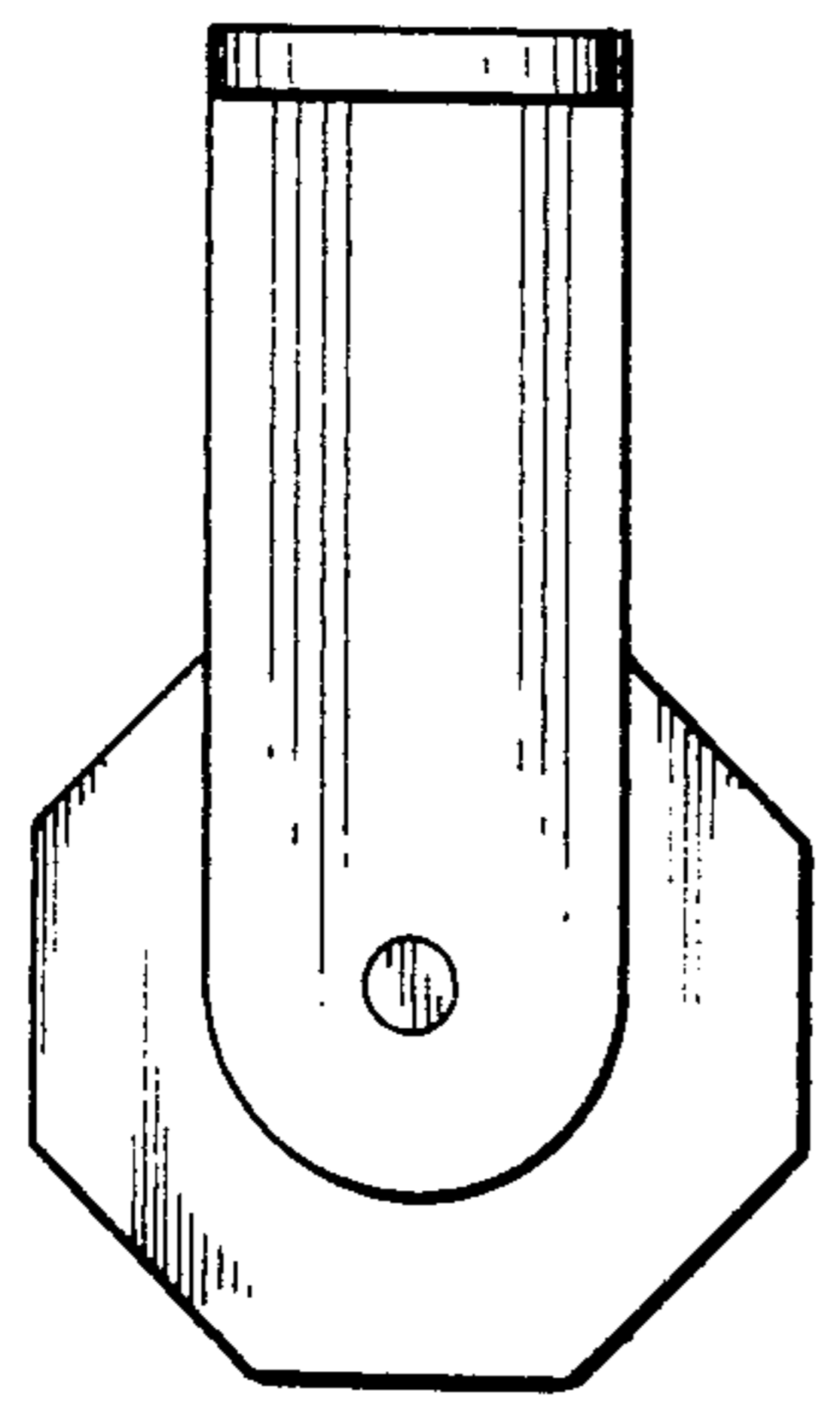


FIG.5

