

United States Patent [19]

Koguma

[11] Patent Number: **Des. 278,583**

[45] Date of Patent: **** Apr. 30, 1985**

[54] **DESK**

[75] Inventor: **Seiji Koguma, Tokyo, Japan**

[73] Assignee: **Okamura Corporation, Yokohama, Japan**

[**] Term: **14 Years**

[21] Appl. No.: **463,390**

[22] Filed: **Feb. 3, 1983**

[52] U.S. Cl. **D6/426; D6/474**

[58] Field of Search **D6/421-432, D6/480, 484, 474, 477, 479; D14/103; 434/432; 312/194, 195, 196**

[56] **References Cited**

U.S. PATENT DOCUMENTS

- D. 128,791 8/1941 Ullery D6/426
- D. 161,361 12/1950 Moore D6/426
- D. 161,959 2/1951 Park D6/397

D. 267,690 1/1983 Verdesca D6/426

OTHER PUBLICATIONS

Scandiline p. 56; Conference Desk, top two views on page.

Interiors Jan. 1981, p. 51; Desk, on page.

Office Products Dealer Dec. 1981, p. 64; Desk by Toor Furniture Corp., Item #207; second column from right, second from top.

Primary Examiner—Carmen H. Vales

Attorney, Agent, or Firm—Poms, Smith, Lande and Rose

[57] **CLAIM**

The ornamental design for a desk, substantially as shown.

DESCRIPTION

FIG. 1 is a front perspective view of a desk showing my new design; and

FIG. 2 is a rear perspective view thereof.

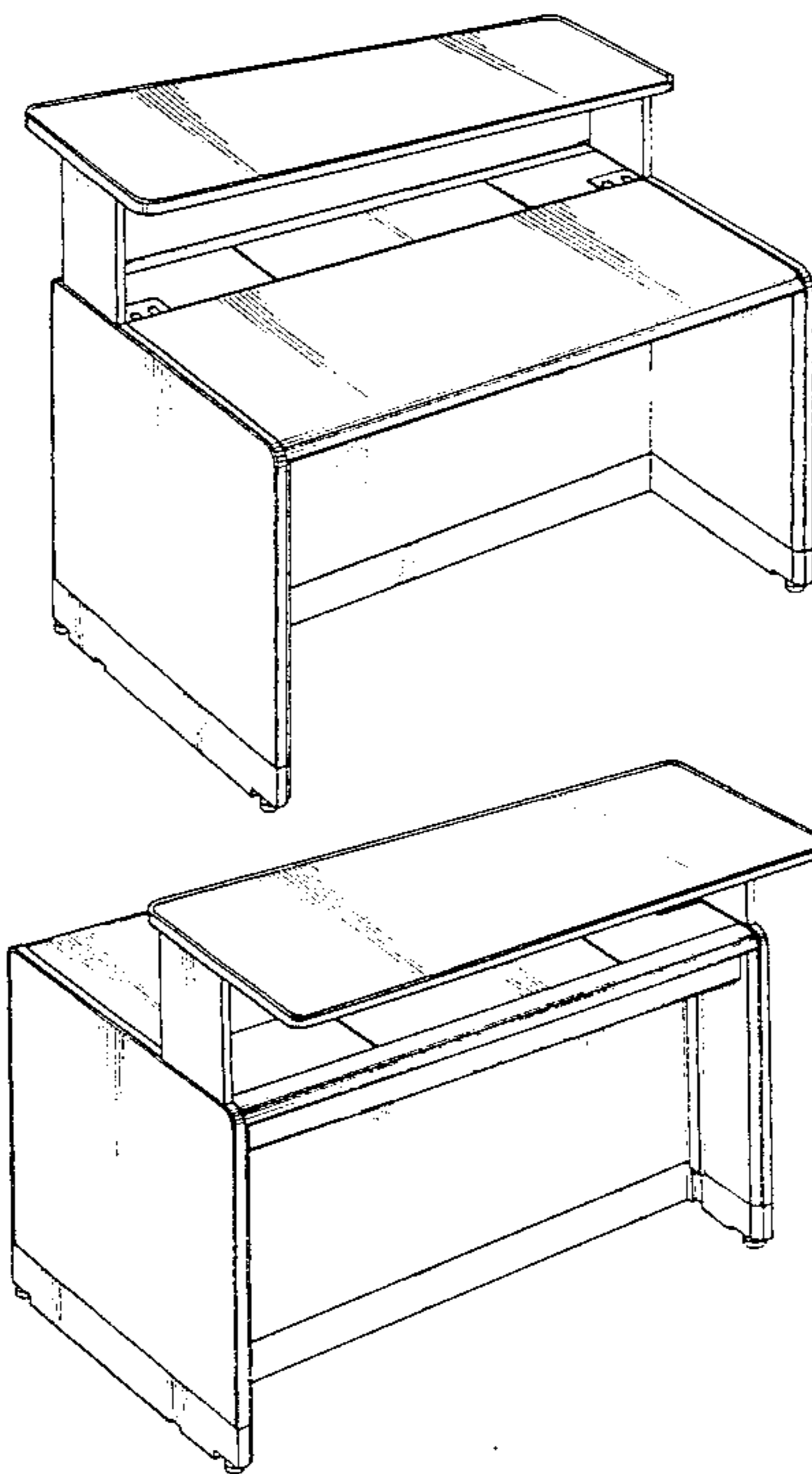


FIG. 1

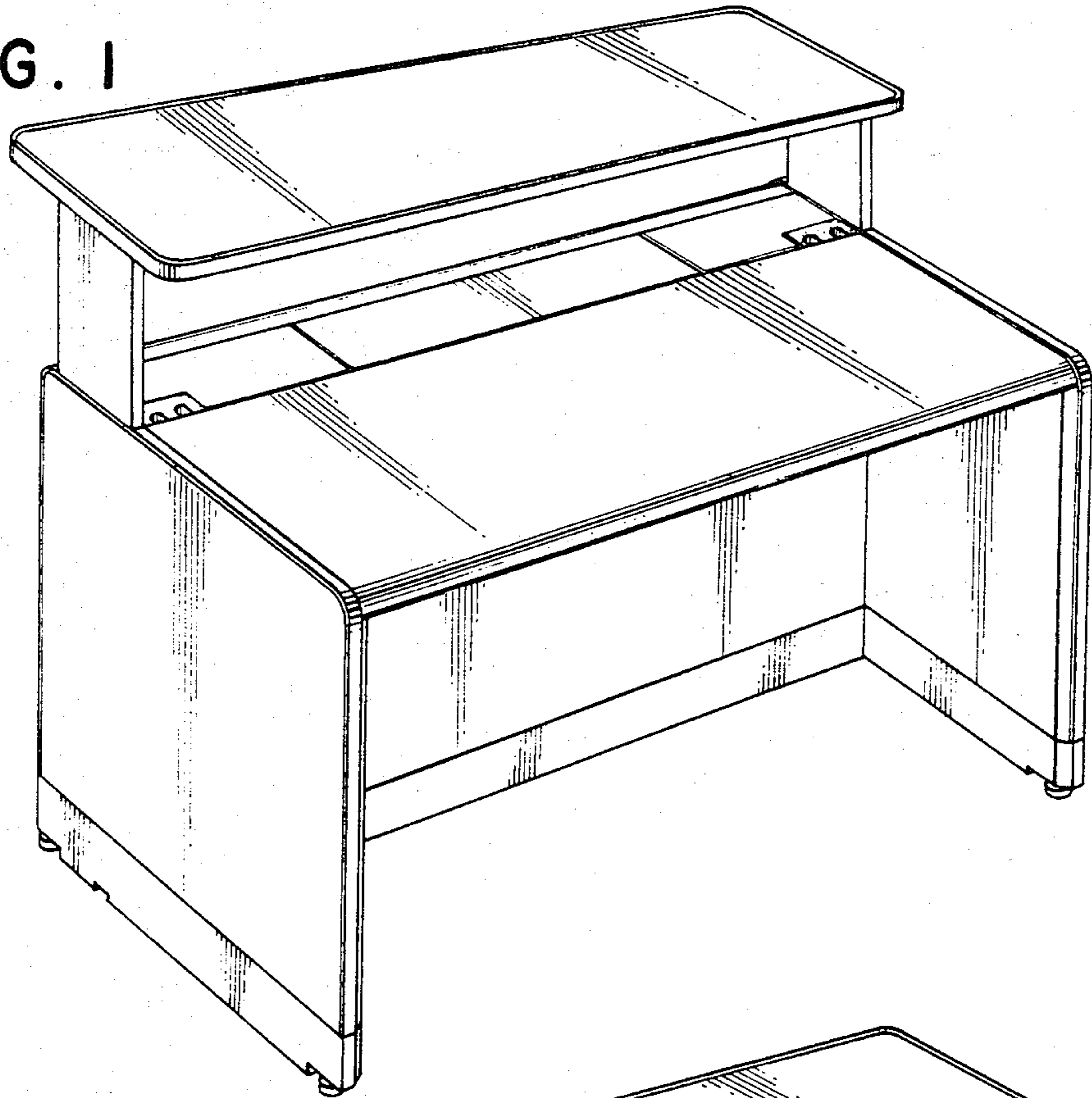


FIG. 2

